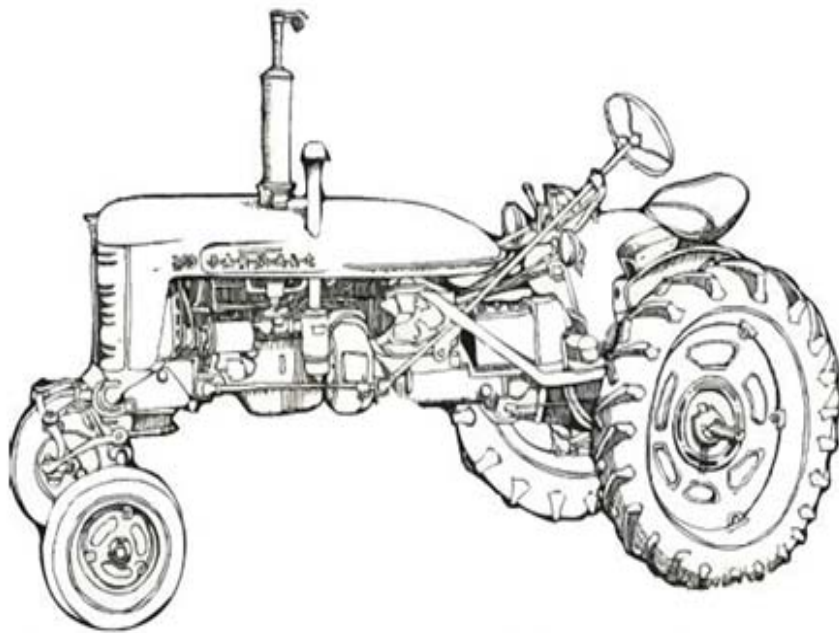




FLP FUEL PUMP

2011 NEW CATALOG



BRAND AND TYPE VEHICLE APPLICATIONS

FLP

VEHICLE	ENGINE	YEAR	FLP	O.E.M. REF	NOT.
ACMAT					
Applic.diverse	Perkins 6.354		4008		
ACTIV FISHER					
Combine 800	Perkins 4.154		4017		
Combine M 800	Perkins 4.236		5003		
AEC					
AV 275, 312, 319, 470E			5028		
AV 470E, 590	DPA		5028		
AV 505	LHD	...1966	5028		
AV 690/5B	410 DPA		5028		
Guy	Leyland 470 Simms P4/671		5011		
Industrial	Perkins 6/305, 6/340		5028		
Reliance Express Coach			5028		
AIFO					
Industrial	8041.25.200		5007		
Industrial	8051.05.200		4004		
AIR PUMPS					
Compressor TS10 & TS20			4047		
ALBION					
CD-21	Leyland 4000		5009		
ALFA ROMEO					
Furgone 30AR8, 32AR8		...6/1983	5021		
Furgone 35AR8, 40AR8		...6/1983	5021		
Furgone A19	Perkins		5044		
ALLIS - CHALMERS (USA)					
4000 Applic.diverse	Perkins 6.288, 6.305	1965...	4008		
B272, D272 Tractor	Perkins P3.144TA		4008		
Combine	Perkins P3.144		4008		
Macchine Agricole 345	Perkins 4.238		5003		
Tr.BTL 12D,14D,16D,20D	DPA	1963...	5028		
Tr. ED40			5067		
Tr.Harvester	Perkins 4.236TA		4021		
Tr. TL545	Perkins 6.354		4008		
ALSTHOM DIESELAIR					
Macchine Agricole	2, 3, 4, 5, 6 Cyl.		4017		
Tractor Agrom	2, 3, 4, 5, 6 Cyl.		5036		
ARBOS					
Applic.diverse	Perkins 4.236		4002		
Applic.diverse	Perkins 6.354		4008		
Combine	Perkins 4.236		5003		
ATKINSON					
L 1 266 PT	Perkins 6.354		4008		

BRAND AND TYPE VEHICLE APPLICATIONS

FLP

VEHICLE	ENGINE	YEAR	FLP	O.E.M. REF	NOT.
ATLAS COPCO					
Compressor XA60	Perkins D3.152		5004		
AUSTIN-MORRIS					
Taxi	Diesel 1500-1800	1966...	4009		
AUTOBIANCHI					
A 111-Primula 65C-CoupeS			3005		
a 112 R77, R79, R82		1972-1984	3037		
AUDI					
100	1800-1900 (80/115 PS)	12/68-7/76	3044		
100	2000 (115 PS)	8/76-4/78	3045		
100 Avant	1800 (75 PS)	9/82-12/84	3050		
100 Avant CC,CS,CD	1800 (75 PS)	1/85-8/86	3051		
100 C,CL,CS,GL	1600	8/81-8/86	3050		
100 C,CL,CS,GL	1600 (85 PS)	9/1986...	3051		
50	1100-1300 (50/60 PS)	9/74-7/77	3046		
60	1500 (55 PS)	2/68-8/71	3046		
60	1500 (65 PS)	9/71-7/72	3044		
75	1700 (75 PS)	11/68-7/72	3044		
80	1600 (100 PS)	10/73-7/75	3050		
80	801 1300 (55 PS)	1/78-9/81	3046		
80	827 1,3/1,5/1,6 (55/85 PS)	8/72-9/81	3050		
80 Coupe GLS	1800 (90 PS)	8/82-10/84	3050		
80 C,CL,GL Coupe	1300,1600 (60/85 PS)	10/81-1/85	3050		
80 C,CL,GL Coupe	1300,1600 (60/85 PS)	2/85-8/86	3051		
80 GLS	1800 (90 PS)	8/82-8/86	3051		
80, 100	1500, 1600	12/72-3/79	3050		
Coupe	1800 (75/90 PS)	10/80-8/84	3050		
Coupe	1800 (90 PS)	9/84-8/86	3051		
BALKANCAR					
2.4 Ton	Perkins 4.203		5013		
Impex	Perkins 4.203.2		5052		
Forklift	Perkins 4.236		4048		
Forklift	Perkins 4.236		5084		
Forklift	Perkins 4.236		5085		
Forklift	Perkins 3.152		5086		
Forklift	Perkins 3.152		5090		

BRAND AND TYPE VEHICLE APPLICATIONS

FLP

VEHICLE	ENGINE	YEAR	FLP	O.E.M. REF	NOT.
BEDFORD					
Astravan, Astramax	1300	1981...	4029		
B7B, B10, 200 & 220	Diesel	1965-1967	4003		
Blitz 2100	Diesel G.M.	1972-1977	4031		
Blitz 2100 CF Furgone	Diesel Opel	1978...	4033		
C Truck, M Truck	Diesel 330	1970...	4005		
CF Furgone	Diesel G.M.	...1977	4031		
CF Furgone	Perkins 4.154		4017		
DM/TL 500 Turbo	Diesel	1980...	4013		
R Truck	Diesel 54222		4005		
TJ Truck CD Serie 300	Diesel 160220		4005		
TJ Truck CD Serie 330	Diesel 160325	1967...	4005		
TJ, TK [E] 200 & 220	Diesel 45775		4003		
TK	Diesel 370, 400		5011		
TK Truck 500 Turbo	Diesel		4013		
TK Truck E0M,N,Q,R,T,V,HRX3	Diesel 330	1967...	4005		
VA Autotelaio	Diesel 300, 330		4005		
VA Autotelaio	Diesel 400		5011		
BEOGRAD IPM					
Tr.Applic.diverse			5018	122.00.00	
Tr.Applic.diverse			5017	120.00.00	
BERLIET					
550K Carro	Perkins 4.236		5003	2641725	
550K Truck	Perkins 4.236		4002		
Bus City PR100	Perkins V8.510		5029		
BMW					
1502	1600 (75 PS)	1/75-7/77	3055		
1602	1600 (85 PS)	8/73-7/75	3055		
1802	1800 (90 PS)	8/74-7/75	3055		
2002	2000 (100 PS)	10/73-7/75	3055		
1502	1600 (75 PS)	1/75-7/77	3055		
1602	1600 (85 PS)	8/73-7/75	3055		
1802	1800 (90 PS)	8/74-7/75	3055		
2002	2000 (100 PS)	10/73-7/75	3055		
2002 AT (USA)	2000 (100 PS)	4/1972...	3055		
315	1600	1980-1983	3057		
316	1600, 1800 (90 PS)	8/75-8/80	3054		
316	1600, 1800 (90 PS)	9/80-6/83	3057		
316	1600, 1800 (90 PS)	7/1983...	3058		
318, 318 AT	1800 (98 PS)	8/75-8/80	3054		
320	2000 4 Cyl. (109 PS)	8/75-8/77	3054		
518	1800 (90 PS), 2000	7/74-8/80	3054		
518 + AT	1800 (9 PS)	7/1983...	3058		
518, 518 AT	1800 (9 PS)	8/80-6/83	3057		
520, 520 AT	2000 4 Cyl. (115 PS)	9/72-8/77	3054		
520, 520 AT	2000 6 Cyl. (122 PS)	9/77-7/81	3056		
Marino	2000 (100 PS)	1/1968...	3055		

BRAND AND TYPE VEHICLE APPLICATIONS

FLP

VEHICLE	ENGINE	YEAR	FLP	O.E.M. REF	NOT.
BOLINDER MUNKTELL					
Combine	Perkins 4.154		4017		
Macchina Agricola T430	Perkins D3.152		5004		
S950	Perkins 6.354	1965-1970	4008		
Tractor D430, T430	Perkins D3.152, D3.152TA		5002		
BRAUD					
505	Perkins 6.354, T6.354.1		4008		
BRISTOL					
Compressor	Perkins 4.236		5003	2641725	
Compressor	Perkins 4.236		4002	2641338	
LH Seri	Leyland 401, 410		5032		
Titan 680, 690			5028		
BROOME & WADE					
Compressor CA2/3	Perkins 4.236		5003	2641725	
Compressor CA2/3	Perkins 4.236		4002	2641338	
Compressor CAI	Perkins D3.152		5002		
Compressor CAI, CAIS	Perkins D3.152		5004		
Compressor CR/CV 250	Perkins 6.354		4008		
BROYT					
Escavator	Perkins 6.354		4008		
Escavator X20, X21	Perkins 6.354.4		5038		
BUHRER					
TR2200K, TR2500K	Leyland 1,5 Lit.Diesel		4009		
Tractor	Perkins 4.236		5003		
Tractor	Perkins D3.203		5013		
CARRARO					
Carro 4500 CS	285, 315, 425, 505, 575		5065		
Industrial	285, 315, 340, 430, 515		5065		
Industrial	450DT, 452DT, 454, 455C, 500	1966-1968	5065		
Tr. 502, 504	285	1973...	5065		
Tr. 600, 700	Perkins 4.236		5003		
Tr. 602, 604	315	1973...	5065		
Tr. 650 DT, 655 CL	425	1973...	5065		
Tr. 702, 704	505	1973...	5065		
Tr. 800	Perkins 4.248		5003		
Tr. 952, 954	575	1973...	5065		
Victory 7100 N & 4RM	425		5065		
Victory 7500 N & 4RM	505		5065		
Victory 9800 DF & 8800	575		5065		

BRAND AND TYPE VEHICLE APPLICATIONS

FLP

VEHICLE	ENGINE	YEAR	FLP	O.E.M. REF	NOT.
CASE					
Tr.1190,1290,1390,1490,1690	David Brown	1975...	5023		
Tr.1190,1290,1390,1490,1690	David Brown	1965-1974	5024		
Tr. 580	David Brown		5023		
CATERPILLAR					
V160/300	Perkins 6.354		4008		
V40-60C	Perkins 4.203.2		5052		
VC60C, 660P	Perkins 4.236		5003		
CAV					
Equipment Leyland	0E370, 400		5032		
Industrial	Ford Transit	...5/1972	5060		
Industrial	Leyland 0E370, 400		5011		
Industrial	Perkins P3.144	1961...	4003		
CITROEN					
2 CV 4, 2 CV 6, 2 CV Special		9/1968...	3018		
2 CV Clup, 2 CV Charleston		1968...	3018		
3, 4 CV	602, 652	1968...	3018		
AKB, AK400		8/68-4/78	3018		
AXEL Special	652CC	1984...	3018		
Acadione	602	5/1978...	3018		
Ami 6, 8	602	8/1968...	3018		
Ami 8 Super	1015, 1130, 1270	9/70-1976	4041		
Axel	602	1969-1973	3018		
Axel Export	652	7/1984...	3018		
Axel 11 R	1129	7/1984...	4041		
Axel 12 R	1295	7/1984...	4041		
BX 15, 16, 19 RS, TRS	XU5	1/84-1992	3043		
BX 19 GT	XU 1905	7/8-7/85	3043		
C 25	1800, 2000 Benzine	9/1982...	3016		
C 25 Furgone	1800, 2000 Benzine	9/1982...	3028		
C 35	1985	9/73-1977	3030		
C 35	Benzine	1978...	4027		
CX	2000, 2200, 2400	10/1974...	4027		
CX 20, 20 TRE	..	1982...	4034		
CX 22 TRS	..	1986...	4034		
CX Reflrx, Athena	2000	1971/8-82	4034		
CX TRS	2200		4034		
D Special, D Super, D Super 5		9/1967-1975	3030		
DS 20		9/73-1975	3030		
DS 23 Carburator		9/1973...	3030		
Dyane 4, 6		8/1968...	3018		

BRAND AND TYPE VEHICLE APPLICATIONS

FLP

VEHICLE	ENGINE	YEAR	FLP	O.E.M. REF	NOT.
CITROEN					
Entreprise	1129	1980...	4041		
Fourgonettes, AZU,AK,AKB		1978...	3018		
GS 1015, GS 1220, GS X3		9/1970...	4041		
GSacial, Break Special	1129	1980...	4041		
GS, GSA, GX, GSX		9/1970...	4041		
LN, LNA	652	10/1976...	3018		
Mehari		9/1968...	3018		
Mehari A4 x 4		1968...	3018		
Visa Special Clup	650	10/1978...	3018		
Visa, Visa II Special	2 Cyl.	10/1978...	3018		
Visa	1100, 1400	10/1978...	3042		
XM 21	XU	1989-1992	3043		
ZX	1580	1991-1993	3043		
CLAAS					
Compact 25 Combine	Perkins 4.154		4017		
CLARK					
C500Y-40-060PD	Perkins 4.203.2		5052		
C60/70/80 B CY40/60	Perkins 4.203		5027		
DC 70	Perkins 4.236		5003	2641725	
DC 70	Perkins 4.236		4002	2641338	
Fork Tractor	Perkins 6.354	1966...	4008		
Tractor 458	Perkins 6.354		4008		
COLES CRANES					
Hydra 6-10 Ton Cranes	Ford 2713E	10/1973...	4006		
Mobile Crane R270	Perkins 6.354.4		5038		
COMPAIR					
Compressor CV 250	Perkins 6.354.4		5038		
CONSOLIDATED PNEUMATIC					
Appl. Diverse	Perkins D3.152		5004		
Compressor	Perkins D3.152		5002		
Compressor 125-RO-1	Perkins 4.236		5003	2641725	
Compressor 125-RO-1	Perkins 4.236		4002	2641338	
Compressor 250 CFM	Perkins 6.354.4		5038		
CONVEYANCER					
TC Seri 7	Perkins 4.236		5003	2641725	
TC Seri 7	Perkins 4.236		4002	2641338	
TC Seri 8	Perkins 4.203		5013		
COVENTRY					
DA 7/8 FLT	Perkins 6.354.4		5038		
FLT	Perkins 4.203		5013		
Mod. DA 2.5	Perkins 4.203.2		5052		
CUMMINS					
Industrial	Seri B		5058	3904374	

BRAND AND TYPE VEHICLE APPLICATIONS

FLP

VEHICLE	ENGINE	YEAR	FLP	O.E.M. REF	NOT.
EICHER					
Tractor	Perkins 4.238		5003		
Tr.3155, 3255, 3256	Perkins D3.152		5001	2641311	
Tr.3155, 3255, 3256	Perkins D3.152		5004	2641712	4 holes
Tr.3355, 3356	Perkins 4.203		5027		
Tr.3355, 3356	Perkins 4.203.2		5052		
EL NASR (Egypt)					
128 GLS		1/1988...	3036		
EPPLE BUXBAUM					
Applic.diverse	Perkins 4.236		4002	2541338	
Combine	Perkins 4.236		5003	2641725	
FEND					
Schlepper FW 258	D 225-6 (90 Hp.)	9/67-1968	4000		
FENWICH					
Applic.diverse	Perkins 4.203.2 France		5052		
D3/SD3B, SD3A	Perkins D3.152		5002		
FLT	Perkins 4.203		5027		
FERRARI					
Motocoltivatori 72, 72 Super	Lombardini		5012		
Motofalciatrici 702, 703, 705	Lombardini		5012		
Tr. MC60, MC60RT	Lombardini		5012		
FIAT					
1100 T	217		3009	4384373	
1100 T4, 238E	1200, 1400		3032	4434837	
124	1200	7/66-1/72	3005	4445630	
124	1200	2/1972...	3008	4434843	
124 Special T Sport	1500, 1600	1973-1976	3039		
125 Special Sport	1400	1968-1974	3005	4445630	
124 USA Coupe-Spyder	1800		3039		
124 USA Coupe-Spyder	2000	1979...	3038		
125	1600, 1800		3039		
126, 126 Personal /c/alternat)	650	1972-1987	3017	7571474	
127, Fiorino	900		3037	7564841	
128 (Tutti i tipi)	1100, 300		3036	7689030	
1300, 1500, 1800, 2300			3040		
131	1300, 1600 t.t.Monoalbero	...3/1981	3005	4445630	
131	Diesel 2000, 2500	...6/1983	3005	4755893	
131 Abarth Rally			3038		
131 Brava USA	1800	1977-1978	3039		
131 Marengo	Diesel 2500	...7/1983	3005	4755893	
131 Racing			3005		
131 Supermirafiori	1300 TC, 1600 TC	...3/1981	3039	4434842	
131 Supermirafiori	1365, 1600, 2000	4/1981...	3038	7564244	
131 USA Superbrava	2000	1979...	3038		
132	1600, 1800	...3/1981	3039		
132	2000	1977-1982	3038		

BRAND AND TYPE VEHICLE APPLICATIONS

FLP

VEHICLE	ENGINE	YEAR	FLP	O.E.M. REF	NOT.
FIAT					
238B, 238 B1	1200, 1400		3032	4434837	
Argenta	1600, 2000 (100/110)	1982-1986	3038		
Argenta	Diesel 2500	...6/1983	5021	4755893	
Campagnola	Diesel 2500	...7/1983	5021	4755893	
Ducato Furgone	1800, 2000 (Benz.Peugeot)		3028		
Fiorino	1300	1988...	3036		
Panda 45, 4x4	900, 965	1979-1991	3037	7564841	
Regata (Tutti i tipi)	1300, 1500		3036	7689030	
Ritmo 130 TC	2000	1984-1987	3038		
Rirmo 60 L	1100		3036	7689030	
Ritmo (Tutti i tipi)	1100, 1300, 1500		3036	7689030	
Tempra (Carburator)	1400, 1600	1990-1992	3019	7611475	
Tipo, Tipo DGT/AGT (Carbur.)	1400, 1600		3019	7611475	
Tractor F 120			4020		
Uno	1100, 1300, 1500		3036	7689030	
Uno 45 (Tutti i tipi)	900	1982-1991	3040	4447945	
Uno R89	1370		3019	7611475	
Uno R89 Sting	900		3040	4447945	
FIAT (Argentina)					
128	1116, 1300		3036		
FIAT-HITACHI					
AD4, FL4, FL4/C, FL4/D			5007		
Idrovert TL5, TL5H, S60			5007		
Industrial	8055.05.200, 8065.05.200		4004		
Industrial	8055.25.200 (5 cyl.)		4004		
Industrial	8061.05.200 (6 cyl.)		4004		
Industrial	8065.06.200		4004		
Industrial	8065.25.200 Turbodiesel		4004		
Pola mec.FL4/D, FL4/L, FL4/C	8035.01.265		4019		
Tr.666, 670, 680, 780, 855	6 Cyl.		4004		
FIAT-OM CARRELLI ELEVATOR					
DI12, DI15, DI20, DI25	3 Cyl.		5007		
DI130	5 & 6 Cyl.	1979...	4004		
DI20C, DI25C, DI30C	3 Cyl.		5007		
DI30CH, DI35C, DI40C, DI50	4 Cyl.		5007		
DI30, DI35, DI40	4 Cyl.		5007		
DIM20, DIM25	3 Cyl.		4019		
DIM30, DIM35	4 Cyl.		4019		
DIM12, DIM15	3 Cyl.		4019		
FORD					
Industrial	4 Cyl.P4250/51, P4347/48		4001		
Industrial	4 Cyl. Simms P4145/78		4001		
Industrial	6 Cyl. Simms P4316, P4354		4001		
Industrial	6 Cyl. Simms P4353 80 HP		4001		
Industrial	D/N Diesel 4200, 6000, 6200		4006		
Industrial	D/N Diesel DA10,DA21,DT17/20		4006		
Tractor			5032		

BRAND AND TYPE VEHICLE APPLICATIONS
FLP

VEHICLE	ENGINE	YEAR	FLP	O.E.M. REF	NOT.
FORD (EUROPA)					
12 M, 15 M	1200, 1300, 1500 (4V)	1967-7/70	4037		
17 M	1500, 1700 (4V)	8/61-12/71	4037		
17 M, 20 M, 26 M	1800, 2000, 2300 (6V)	9/67-1971	4025		
20 M	2000 (85/90 HP) (6V)	10/64-1970	4037		
20 M, 26 M	2300 (108/125 PS) (6V)	9/68-3/70	4025		
2700 Seri 254, 380		1965-1973	4006		
2715 E	6 Cyl. 135 HP		4006		
5/7 CWT	Anglia	1965-1967	3029		
6/8 CWT	Escort	1968...	3029		
A Seri York (no zone fredde)	Diesel	1973-1983	4012		
Anglia		1965-1970	3029		
Capri	1300, 1500, 1700 (4V)	1972-5/78	4024		
Capri	(OHC) 1300, 1600 4 Cyl.	4/70-9/75	3026		
Capri	(OHV) 1300, 1600, 1700 (4)	10/67-1971	3026		
Capri II	2000, 2300 (6V)	3/69-8/79	4025		
Capri II	2300, 2600, 2800, 3000 (6V)	3/1969...	4025		
Capri II	(OHV) 1300, 1600, 2000 4 Cyl.	10/1975...	3026		
Capri, Capri GT	1300, 1600	1967...	3007		
Consul	1700 (4V)	1/72-8/81	4024		
Consul	2000 4 Cyl. 90 HP	4/70-8/79	3026	72HF9350 AA	
Consul	2300, 3000 (6V)	4/70-7/75	4025		
Cortina	1200, 1300, 1500, 1600	1965-1974	3029		
Cortina Lotus	1558 cc		3029		
Cortina MK2 - MK3 - MK4	1300, 1600	5/79-1976	3029		
Cortina MK3	(OHC) 1600, 2000	1970-1976	3026		
D 1000	V8.511 & 511	1967-1973	5011	510E9350	
D 1000 Seri 360	4, 2-6, 0-6, 0 Turbodiesel	1965-1980	4006		
D Seri	6, 2 Diesel	1965-1980	4006		
D-K	Diesel	1965...	4006		
Escort	1100, 1300		3035		3 Pipe
Escort	950, 1100, 1300	1975-1980	3029		2 Pipe
Escort	CHV 1400, 1600	1991...	3033	6 551 959	3 Pipe
Escort	OHV-BVM 1100, 1300		3035	6 174 801	
Escort	OHC 1100, 1300, 1600 4 Cyl.	9/1980...	3026		
Escort GT	1600	3/87-8/90	3034	87SF9350 AA	3 Pipe
Escort RS	2000	1976-1980	3026		
Escort XR3		1982...	3026		
Escort, Escort GT	1100, 1300	1968-1975	3029		
Escort, Orion	CHV 1400, 1600	1989...	3034	6 171 967	3 Pipe
Fiesta	1000, 1100, 1300	9/1988...	3035		
Fiesta	950, 1100, 1300	7/76-8/88	3029		
Fiesta	OHV-BVM 940, 1100, 1300		3035	89BF9350 AA	
Fiesta	OHC 1000, 1100, 1300 4 Cyl.	1976...	3026		
Fiesta CHV	1400, 1600	1991...	3033		
Fiesta XR2	OHC 1600	4/1984...	3026		
Fiesta XR2 OHV	1600	1981-1983	3029		
Fiesta, Orion	950, 1100, 1300	1989...	4014		
Granada	1700 (4V)	1/72-8/81	4024		
Granada	1800	1985-1987	3026		
Granada	2000, 2800 (6V)	8/1975...	4025		
Granada	2300, 2600, 3000 (6V)	4/70-7/75	4025		
Industrial (Simms)	4Cyl.P4632/33/79/85/86	1967-1968	5011	510E9350	
Industrial (Simms)	6 Cyl.P4594/4635/36/64/87	...1/1974	5011	510E9350	

BRAND AND TYPE VEHICLE APPLICATIONS
FLP

VEHICLE	ENGINE	YEAR	FLP	O.E.M. REF	NOT.
FORD (EUROPA)					
Kent Marino 105 E	4 Cyl.	1961...	3007		
Major, Super Major	1613502..	1962...	5009		
Orion	1100, 1300	9/1988...	3035		
Orion	CHV 1300, 1600	9/83-8/88	3026		
Orion	1600	9/88-8/90	3034		
Orion	OHV-BVM 1100, 1300		3035	10568	
Orion CVH	1400, 1600	1991...	3033		
R Seri 360 & 380		1965...	4006		
Scorpio	OHC 1800, 2000	4/1985...	3026		
Sierra	DVH 1600		3034		
Sierra	2000, 2300 (6V)	10/1982...	4025		
Sierra	4 Cyl.1,3 - 1,6 - 1,8 - 2	9/1982...	3026		
Taurus	1300, 1600, 2000 4 Cyl.	4/70-8/82	3026		
Taurus	2000, 2300 (6V)	4/70-8/82	4025		
Transit	1500, 1700 (4V)	1/72-3/73	4024		
Transit	1500, 1700 (4V-60/65 PS)	4/73-7/84	4025		
Transit	Benzin	1968-1978	3007		
Transit	FSD 425 2,5 Turbodiesel		4015	6201102	
Transit	OHC 1600, 2000 4 Cyl.	8/1984...	3026		
Transit Furgone	2400 Diesel	...5/1972	5060		
Transit Furgone	6 Cyl. Diesel	1972...	5060		
Transit GB	1600	1975...	3007		
Transit (no zone fredde)	2400 Diesel	1972...	4012		
Truck Seri D Phase II	Perkins V8.510	1976...	5029		
Tr.3000, 5000, 8000, 9000		1/1974...	5011	510E9350	
Tr.Major, New Major		...1962	4047		
Tr.Super Dexta, Super Major	5000	1962-1966	5011	510E9350	
Tr.Super Major		...1962	4047		
FORD (USA)					
Capri	2800 (6V)	4/73-1/74	4025		
Cortina	2000	1971-8/82	3026		
FSO (Poland)					
125 P	1300, 1600	1976...	3009		
Polonez Alize, Amplia, Prima	1500		3040		
Polonez Mistral, Prima	1600		3040		
Polonez Prima	1300		3040		
GOLDONI					
Motocoltivatori Export	Lombardini		5012		
Motocoltivatori Special	Lombardini		5012		
G.M.					
DM Diesel 500 Turbo		1980...	4013		
G.M. (Brazil)					
Chevette Junior	1000		4028		
Chevette, Hatch, Marajo			4028		
Chevy 500	1400, 1600		4028		

BRAND AND TYPE VEHICLE APPLICATIONS

FLP

VEHICLE	ENGINE	YEAR	FLP	O.E.M. REF	NOT.
HONOMAG					
Agricola 22C	Perkins 4.248		5003		
Agricola 33C	Perkins 6.354.4		5038		
HAULAMATIC					
Dump Truck 6/15	Perkins V8.540		5029		
HEATHFIELD					
Dump Truck H20	Leyland 690		4008		
HESTAIR DENNIS					
Autocarro Delta 1616	Perkins 6.354.4		5038		
HOBART					
300/400A	Perkins 4.236		5003	2641725	
General Elec.400 Amp.	Perkins 4.236		4002		
HOLDEN					
Camira JB, JD		1982...	4023		
Torana Subird 1900	Opel	1974-1978	4036		
HUNSLET					
Tractor	Perkins D3.152		4001		
HYDROMAC					
Escavator 580	Perkins 6.354		4008		
Escavator 890	Perkins T6.354.4		5038		
Escavator Hydrolic	Perkins D4.203		5013		
Escavator Hydrolic H115	Perkins 6.354.4		5038		
HYDROVANE					
Compresor 85CFM	Perkins D3.152		5004		
Compresor 85GT, CFM	Perkins D3.152		4001		
HYSTER					
Fork Truck H1100/150F	Perkins 4.236		4002		
Fork Truck H110/150F	Perkins 4.236		5003		
Fork Truck H150/H250	Perkins 6.354, 6.354.1		4008		
Fork Truck H40H	Perkins 4.203		5027		
F.Truck HB100,H100C,RC150	Perkins 6.305.1		4008		
Fork Truck S30/40C	Perkins 3.152.1, D3.152		5002		
Fork Truck S30/40C FLT	Perkins D3.152		5004		
Fork Truck S60B, H60C	Perkins 4.203		5013		
H150, 275, 300, 350H	Perkins 6.354.4		5038		
H40F	Perkins 4.203.1		5031		
H60, 80C	Perkins 4.203.2		5052		
Karry Krane KE	Perkins 4.203		5013		
M300	Perkins 6.354, 6.354.1		4008		

BRAND AND TYPE VEHICLE APPLICATIONS

FLP

VEHICLE	ENGINE	YEAR	FLP	O.E.M. REF	NOT.
IHC					
C1600, C1800	Perkins 6.354		4008		
INGERSOLL					
Compressor 85 CFM	Perkins D3.152		5002	2641406	
Compressor 85 CFM	Perkins D3.152		5004	2641712	
Compressor DRF 250	Perkins 6.354		4008		
Compressor P140 WP	Perkins D3.152		5004		
DR125 / 140 / 150	Perkins 4.236		5003	2641725	
DR125 / 140 / 150	Perkins 4.236		5026	2641338	
INNOCENTI					
Koral 45	903		3037		
Koral 55 - 65A GLX			3036		
INTERMOTOR (Lombardini)					
Industrial	LA 400, 490		3012		
INTERNATIONAL HARVESTER					
B 275 Tractor	Perkins 3B/152		4003		
BC 264	Benzin		4003		
Load Star Truck 1600, 1700	Perkins 6.354	1965-1970	4008		
Load Star Truck 1800	Perkins 6.354	1965-1970	4008		
Mach.lav.cotone 1822-2022	Cummins 6TA 590		3039		
Pala Mechanic HG5	Perkins 6.354.1		4008		
Pala Mechanic JH60, H65	Perkins 6.354		4008		
Tr.474	Perkins 4.212		5003		
Tr.585	Perkins 4.236		5003		
Tr. B 275	Diesel		5008		
Tr. B 414			5008		
Tr. B 434			5008		
Tr. B 450			5008		
Tr. BD 144			5008		
Tr. BD 154			5008		
ITMA					
Tr.A352	Same 2 Cyl.		5061		
Tr.A503	Same 3 Cyl.		5061		
IVECO					
40, 50/8, 40/35		1979...	4004-4010		
40, 35AB, 40A/B			4004-4010		
50A/B/C, 55A/B			4004-4010		
50NC/A, 50NC/B		1979...	4004-4010		
50NC/C		1979...	4004-4010		
50/10, 55/10, 55NC		1979...	4004-4010		
50/8, 55/8, 65/10			4004-4010		
55NC/A, 55NC/B		1979...	4004-4010		
55NC/C		1979...	4004-4010		
616 N3/4		1979...	4004-4010		

BRAND AND TYPE VEHICLE APPLICATIONS

FLP

VEHICLE	ENGINE	YEAR	FLP	O.E.M. REF	NOT.
IVECO					
65A/B/C, 70A/B			4004-4010		
65.9	8040.5		5043		
70/10, 75/10			4004-4010		
Autocar Daily	Diesel 2500	...6/1983	5021		
Autocar Grinta	Diesel 2500	...6/1983	5021		
Eurocargo	150 E 18		4011	500316048	
Industrial	4 Cyl.8140.61. 300	...6/1983	5021		
Industrial	8040.05.200 - 8040.25.200		5043		
Industrial	D.8031.05.300		5007	4757883	
Industrial	D.8035.05.200		5007	4757883	
Industrial	D.8035.05.208/265/308/359		5007	4757883	
Industrial	D.8035.06.240/309/340		5007	4757883	
Industrial	D.8035.06.342/343		5007	4757883	
Industrial	D.8040.05X.4600...		4011	500316048	
Industrial	D.8040.05X.4600...4955...		4011	500316048	
Industrial	D.8040.05X.4981...		4011	500316048	
Industrial	D.8040.05.200/203/233/290		5043		
Industrial	D.8040.25B.4200...4235		4011	500316048	
Industrial	D.8040.25B.4502.../4285		4011	500316048	
Industrial	D.8040.25R.230/231/233/23		5043		
Industrial	D.8040.25X.4000...4035		4011	500316048	
Industrial	D.8040.25X.4550...4555		4011	500316048	
Industrial	D.8040.25X.4600.../4800		4011	500316048	
Industrial	D.8040.25X.4900...4910		4011	500316048	
Industrial	D.8040.25.200/201/202		5043		
Industrial	D.8040.25.203/207/208		5043		
Industrial	D.8040.25.221/222/223/224		5043		
Industrial	D.8040.25.4990		4011	500316048	
Industrial	D.8040.45.273.../283		4011	500316048	
Industrial	D.8040.45.4020...4035		4011	500316048	
Industrial	D.8040.45.4300.../4800		4011	500316048	
Industrial	D.8040.45.5200.../261		4011	500316048	
Industrial	D.8040...Euro 2		4011	500316048	
Industrial	D.8041.05.200/206/306		5007	4757883	
Industrial	D.8041.05.260		5007		
Industrial	D.8045.05.200		5007	4757883	
Industrial	D.8045.05.200/201/204		5007	4757883	
Industrial	D.8045.05.206/207/209		5007	4757883	
Industrial	D.8045.05.307/359/370/389		5007	4757883	
Industrial	D.8045.06.206/320/322/346		5007	4757883	
Industrial	D.8045.25.305/370/375		5007	4757883	
Industrial	D.8045.25.382		5007		
Industrial	D.8045.45C.5000		4011	500316048	
Industrial	D.8045.45D.5100/5101		4011	500316048	
Industrial	D.8045.45X.4182		4011	500316048	
Industrial	D.8051.05.200		4011		
Industrial	D.8055.05.200/205/250		4011		
Industrial	D.8055.25.210		4011		
Industrial	D.8060.05R.206		5043		
Industrial	D.8060.05X.4600		4011	500316048	
Industrial	D.8060.05X.4900...4955		4011	500316048	
Industrial	D.8060.05.200		5043		
Industrial	D.8060.05.245/246/270/271		4004		
Industrial	D.8060.05.248/260/266		5043		

BRAND AND TYPE VEHICLE APPLICATIONS

FLP

VEHICLE	ENGINE	YEAR	FLP	O.E.M. REF	NOT.
IVECO					
Industrial	D.8060.05.280/284/289		5043		
Industrial	D.8060.05.4996		4011	500316048	
Industrial	D.8060.25A.4160		4011	500316048	
Industrial	D.8060.25R.4200.../4300...		4011	500316048	
Industrial	D.8060.25R.4610.../4760...		4011	500316048	
Industrial	D.8060.25R.4870		4011	500316048	
Industrial	D.8060.25R.4975...4978		4011	500316048	
Industrial	D.8060.25V.4000...4025		4011	500316048	
Industrial	D.8060.25V.4100...4160		4011	500316048	
Industrial	D.8060.25V.4600.../4724		4011	500316048	
Industrial	D.8060.25V.4800...4850		4011	500316048	
Industrial	D.8060.25V.4901...4916...		4011	500316048	
Industrial	D.8060.25.221.../241		4011	500316048	
Industrial	D.8060.25.261.../267		4011	500316048	
Industrial	D.8060.25.V4740		4011	500316048	
Industrial	D.8060.45A.4100		4011	500316048	
Industrial	D.8060.45B.4305		4011	500316048	
Industrial	D.8060.45B.5100...5150		4011	500316048	
Industrial	D.8060.45L.4485		4011	500316048	
Industrial	D.8060.45R.4200		4011	500316048	
Industrial	D.8060.45R.5000...5021...		4011	500316048	
Industrial	D.8060.45X.4180.../4610		4011	500316048	
Industrial	D.8060.45.4400.../4402		4011	500316048	
Industrial	D.8060.45.4600...		4011	500316048	
Industrial	D.8060.45.4700...4755		4011	500316048	
Industrial	D.8060...Euro 2		4011	500316048	
Industrial	D.8061.05.260/300		4004		
Industrial	D.8062.05.270		4004		
Industrial	D.8065.05.220/289/290		4004		
Industrial	D.8065.05.225/230/325/330		4020	98419724	
Industrial	D.8065.05.295/297/300/320		4004		
Industrial	D.8065.06.200/300		4004		
Industrial	D.8065.06.230/330		4020	98419724	
Industrial "Hitachi"	Diesel 8045.25.282...291		5081	99485050	
Veicolo 65.12, 79.12, 79.14			5043		
Veicolo A90.14 p, A70.14 P			4004		
JOHN DEERE (EUROPA)					
Industrial	1120, 1130, 1140, 1630, 1640	...1989	5016		
Industrial	1120, 1130, 1140, 1630, 1640	1990...	5049		
Industrial	1830, 1840, 2020, 2030, 2040S	...1989	5016		
Industrial	1830, 1840, 2020, 2030, 2040S	1990...	5049		
Industrial	2120, 2130, 2140, 3030, 3040	...1989	5016		
Industrial	2120, 2130, 2140, 3030, 3040	1990...	5049		
Industrial	3120, 3130, 3140, 3640, 4040S	...1989	5016		
Industrial	3120, 3130, 3140, 3640, 4040S	1990...	5049		
Industrial	3, 4, 6 Cyl. Diesel	...1989	5016	FP1700	
Industrial	3, 4, 6 Cyl. Diesel	1989...	5049	RE38009	
Industrial	6, 068 HZ001	1995...	5051		
Industrial	940, 1020, 1030, 1040	...1989	5016		
Industrial	940, 1020, 1030, 1040	1990...	5049		
Industrial	6, 068 HZ001 2054, 2054 M	1995...	5051		
Industrial			5059	RE27667	

BRAND AND TYPE VEHICLE APPLICATIONS

FLP

VEHICLE	ENGINE	YEAR	FLP	O.E.M. REF	NOT.
JOHN DEERE (USA)					
Industrial	3, 4 Cyl. Benzin, Diesel (USA)		5037	AR53567	
Industrial			5059	RE27667	
JOHNSTON BROS					
Applic.diverse	Perkins 4.236		4002		
Applic.diverse	Perkins D3.152		5004		
Seri 400	Perkins 4.236		5003	2641725	
JONES CRANES					
04 Mobil Crane	Perkins 4.236		5003	2641725	
05 Mobil Crane	Perkins 4.236		4002		
J.C.B					
Excavator 7, 7C, B	Perkins 6.354		4008		
Excavator 807	Perkins 6.354		4008		
Mach.Agricol 110	Perkins 4.236		5003		
Mach.Agricol 413	Perkins 6.354		4008		
Mach.Agricol 418	Perkins T6.354		4008		
Tr.112	Perkins 6.354.1		4008		
Tr.114 Hydrostatic	Perkins T6.354.1		4008		
Tr. 808	Perkins 6.354		4008		
Tr. 808	Perkins 6.354.4		5038		
KHD (DEUTZ)					
Industrial	B/F3, 4, 5, 6 L 912/913 W/T	1964...	4000	2239550	
Industrial	F2L 912	3/1984...	4000	4150197	
Industrial	F3L 812 D, F3L 912 / 912 W	1964...	4000		
Industrial	F3L 913		4000	4167698	
Industrial	F4L 812 D, F4L 912 / 912 W	1964...	4000		
Industrial	F5L 912 / 912 W, 912 D	1964...	4000		
Industrial	F6L 812 D, F6L 912 / 912 W	1964...	4000		
Industrial	FL 912, FL 912W , F2L 912	1968...	5047		
LADA					
21043 Station Wagon	1500		3009		w/o lever
21043 Station Wagon	1500		3014	2101.1106010	w/lever
2105	1200, 1300, 1500	1973-1986	3009		w/o lever
2105	1200, 1300, 1500	1973-1986	3014	2101.1106010	w/lever
2107	1200, 1300, 1500	1978-1984	3009		w/o lever
2107	1200, 1300, 1500	1978-1984	3014	2101.1106010	w/lever
Carlota	1100, 1300, 1500		3010		w/lever
Carlota	1100, 1300, 1500		3011		w/o lever
Niva	1600		3009		w/o lever
Niva	1600		3014		w/lever
Samara	1100, 1300, 1500	1987-1992	3010		w/lever
Samara	1100, 1300, 1500	1987-1992	3011		w/o lever

BRAND AND TYPE VEHICLE APPLICATIONS

FLP

VEHICLE	ENGINE	YEAR	FLP	O.E.M. REF	NOT.
LADA					
Carlota	1100, 1300, 1500		3011		w/o lever
Carlota	1100, 1300, 1500		3010	2108.910610	w/lever
Niva	1600		3009	2101.1106010	w/o lever
Niva	1600		3014	2101.1106010	w/lever
Samara	1100, 1300, 1500	1987-1992	3011		w/o lever
Samara	1100, 1300, 1500	1987-1992	3010	2108.910610	w/lever
LAMBORGHINI					
Tr. C553, C653	Same 3 Cyl.		5061		
Tr. R1056	Same 6 Cyl.		5042		
Tr. R235	Same 2 Cyl.		5061		
Tr. R654, R854	Same 4 Cyl.		5061		
LANCER BOSS					
700 FLT	Perkins 6.354.4		5038		
Applic.diverse	Perkins 4.203		5013	2641345	
Applic.diverse	Perkins 4.203		5027	2641333	
Applic.diverse	Perkins 4.236		5003		
Applic.diverse	Perkins 6.354		4008		
LANCIA					
Beta 2000 Coupe	2000		3005		
Beta Trevi	1600, Eng.385582...		3005		
Beta Trevi	2000		3005		
Delta (Tutti i tipi)	1300, 1500		3036		
Flavia Super Jolly			4026	2195044	
Fulvia 2C, GT, HF	1100		4026	2195044	
Fulvia Coupe Rally	1300, 1600, 2000		4026	2195044	
HPE, Montecarlo	2000		3005		
Prisma LX	1600	1983-1988	3005		
Prisma (Tutti i tipi)	1300, 1500		3036		
LANDINI					
MF 244, 4000, 5000	Perkins 3.152		5001		
Tr. 10500, 12500, 13500	Perkins 6.354.4		5038		
Tr. 14500, 14500 4RM	Perkins 6.354.4		5038		
Tr. 4500, 5500 4RM	Perkins 3.152		5001		
Tr. 6000	Perkins 4A/192 - 4A/203		5013		
Tr. 6400, 6500, MKII, MKII 4RM	Perkins 4.236		5039		
Tr.6500	Perkins 4.203		5014		
Tr.6830	Perkins A4.236		5039		
Tr.7500, 7500 4RM	Perkins 4.236		5039		
Tr. 8000	Perkins 4.248		4002		
Tr. 8500, 8500 4RM	Perkins 4.248		5039		
Tr.MF 1100, 1134, 14500	Perkins 6.354.4		5038		
Tr.MF 1104, R9500	Perkins 6.354.1		4008		
Tr.MF 174, MF 184, MF 194 23	Perkins 4.236		5003		
Tr.MF 244	Perkins D3.152		5004		
Tr. R6500, R6550, R7500	Perkins 4.236		5003		
Tr. R9500 Mk II, 4RM	Perkins 6.354.4		5038		

BRAND AND TYPE VEHICLE APPLICATIONS

FLP

VEHICLE	ENGINE	YEAR	FLP	O.E.M. REF	NOT.
LANDINI					
Tr. TL 16N	Perkins D4.203		5027		
Tr. TL 19C, TL 21C	Perkins D3.152		5001	2641311	2 holes
Tr. TL 19C, TL 21C	Perkins D3.152		5004	2641712	4 holes
Tr. TL 19N/A, R9500	Perkins 6.354.1, A6.354.1		4008		
Tr. TL 20C	Perkins 4.212		5003		
Tr. TL 20N/A, TL20DT	Perkins 4.236		5003		
Tr. TL 23	Perkins 4.248		5003		
LANSING BAGNAL					
Applic.diverse	Perkins 4.203		5013		
Applic.diverse	Perkins 4.236		5003		
FLT	Perkins D3.152		4001		
LAVERDA					
Applic.diverse M92	Perkins 4.236		5003	2641725	
Combine	Perkins 4.236		4002		
Combine	Perkins 6.372.4		5038		
Mietitrebbiatrice	Perkins 6.354, 6.372		4008		
LEYLAND - ROVER					
1200 FJT, 1500, 1800	5.7 Lit.Diesel	1970...	5010	13H3376	
255, 262, 270, 272	4/98 DT, NT		4007		
344	3, 4 TD		4007		
5,7 lit. Diesel	Perkins W8.510, W8.540		5010	13H3376	
950 FJ, 1200/1700 FJT	5.1 lit.	1970...	5010	13H3376	
Albion K & M	4/6 Cyl.Diesel E370/400		5011	831149	
Albion-Reiver CD-21	400	1965...	5009		
BX1425, BX20F	6/98 Turbo diesel		5032		
Boxer	6/98 Turbo diesel	1973...	5032		
Boxer	Perkins 6.354 (Pompa 2 holes)	1972...	4008		
Boxer BX 1000	5.1 lit. V.Diesel	...1972	4007		
Boxer BX1000,1160,1200,1300	5.7 lit. V.Diesel	...1972	4007		
Boxer BX1200,1300,16T,16TF	6/98 Diesel	1973...	4007		
Boxer BX 1425	Perkins V8.510, 540		5029		
Boxer BX 984, 1000, 1160	6/98 Diesel	1973...	4007		
Boxer BX18TF,BX19TA,BX19TF	Perkins 6.354	1982-1983	5038		
Boxer DV/NV	6/98 Turbo diesel	1973...	4007		
Buffalo	500		5032		
Bus Atlantean 680, 690		1958-1965	5028	2641371	
Bus Atlantean FE30 680, 690	Perkins 6.354		4008	2641372	
Bus BX1200, BX1300, BX1425	Perkins 6.354		4008		
Bus Clydesdale ECD 23, ECD 27	401		5032		
Bus Comet	370 (Simms P4606/1)		5011		
Bus Fleetline FE30	680.690		5028		
Bus Leopard, Victory	680.690	1965...	5028		
Bus Mastiff	Perkins 6.354.2		4008		
Bus National	502		5032		
Bus Viking EVK 55	401		5032		
Bus Viking FF 1100	6/98 Diesel	1974...	4007		
Bus Worldmaster	980.690		5028		

BRAND AND TYPE VEHICLE APPLICATIONS

FLP

VEHICLE	ENGINE	YEAR	FLP	O.E.M. REF	NOT.
LEYLAND - ROVER					
Carro Lynx 26T,28T	500	1970...	5032		
Carro Octopus 30T	502	1971...	5032		
CarroReiver	401, 410	1971...	5032		
Chieftain	410 Turbo		5032		
Clydesdale	301		5032		
EA	Horizontal (Simms P4614)		5011	12A1259	
FG 350, 360, 550, 700	3.8 lit. Diesel	1970...	4007		
FG 350, 360, 550, 700	4/98 Diesel	1973...	4007		
FG 900	5.1 & 5.7 lit. V.Diesel	1970-1972	4007		
FG 900	6/98 Diesel	1973...	4007		
FGK 100	5.1 & 5.7 lit. V.Diesel	...1970	4007		
FJ 950,1160, 1300	5.7 lit.Diesel	1970...	5010	13H3376	
FJ-FJK100, 140, 160, 240	5.7 lit.Diesel	...1970	5010	13H3376	
FJ-FJK100, 240, 340	5.1 lit.Diesel	...1970	5010	13H3376	
FJ-FJK300, 360	5.7 lit.Diesel	...1970	5010	13H3376	
FM 420	3.8 lit. Diesel		4007		
FX-4 Taxi	1.5 & 1.8 lit. Diesel	1966...	4009	62H557	
Furgone JU 250, J2, J4, 180	Diesel	1968-1974	4009	62H557	
Furgone Sherpa 185, 215, 240	1.8 lit. Diesel	1967-1978	4009	62H557	
Industrial	370 (Simms P4606/21/57)		5011	831149	
Industrial	400 con CAV		5032		
Industrial	400 (Simms P4572, P4613)		5011	831149	
Industrial	401 (Simms P4637/54/92)		5011	831149	
Industrial	402 (Simms P4654, P4692)		5032		
Industrial	500	1971...	5032		
Industrial	OE 370, 400 CAV Equip.		5011	831149	
Industrial	OE 370, 400 Simms Equip.		5011	831149	
LR 1800, 1825 (Trac.Units)	5.7 lit.Diesel	...1973	5010	13H3376	
Laird LR1200, LR1300	5.7 lit.Diesel	...1973	5010	13H3376	
Laird LR950, LR1000	5.1 lit.Diesel	...1973	5010	13H3376	
Laird LR950, LR1000, LR1160	5.7 lit.Diesel	...1973	5010	13H3376	
Mastiff & Super Mastiff	Perkins V8.510/540	1972...	5029		
Mini Tractor	Diesel	1968...	5005		
Sherpa	2.5 Diesel	1961-1971	4018	563146	
Skidded Units	4/98 NT		4007		
Terrier 360, 420, 600	4/98 Diesel	1973...	4007		
Terrier 650 Tr.,750 Tr.	3.8 lit. Diesel	1971-1972	4007		
Terrier 650, 750, 850, 950	5.1 lit.	1973-8/83	4007		
Terrier 83, 900 WF	4/98 Diesel	1973...	4007		
Terrier 950 Tr.	5.7 lit.V.Diesel	1971-1973	4007		
Tr.245	Perkins D3.152		5004	2641712	
Tr.245, 253	Perkins D3.152		5001	2641311	
Tr. NUFFIELD 384	4/65 3.8 T, TA, TD		4007		
Tr.Bison	500	1970...	5032		
Tr. NUFFIELD 2100, 4100	6/98 DT, NT		4007		
Tr. NUFFIELD 285, 485	6/98 DT, NT		4007		
Tr. NUFFIELD	1, 5 Lit.Diesel	1969...	5005		
Tr. Scammel, Conractor AV760	680		5028		
WF 360, 420, 600, 830, 900	3.8 lit. Diesel	1970...	4007		
WF 830, 900, 1025	5.1 lit.Diesel	1970...	4007		
WF 830, 900, 1025, 1160	5.7 lit.V.Diesel	1970-1972	4007		
WFK 100, 120, 140	5.1 & 5.7 lit. V.Diesel	...1970	4007		
WGK, WFK 30, 40, 60, 80	3.8 lit. Diesel	1965-1970	4007		
Worldmaster	680, 690		4008		

BRAND AND TYPE VEHICLE APPLICATIONS

FLP

VEHICLE	ENGINE	YEAR	FLP	O.E.M. REF	NOT.
LINCOLN ELECTRIC					
Generat.Elet. 300 & 400 Amp.	Perkins 4.236		5003		
LINDNER					
Tractor	Perkins 4.236		5003		
Tr. Transporter 520S	Perkins D3.152		5001	2641311	
Tr. Transporter 520S	Perkins D3.152		5004	2641712	
LISTER PETTER					
HA, HB, LD, LS	Diesel Air Cooled		5022	351-12150	
Industrial	Diesel seri SR		5030	351-12151	
Industrial	LPA2, LPA3		5050	757-14175	
Industrial	LPW2, LPW3, LPW4		5050	757-14175	
Industrial	LPWS2, LPWS3, LPWS4		5050	757-14175	
Industrial	Seri A: AC1, AD1		5076	374170	
Industrial	Seri SR		5030		
Industrial	Seri T: TS2, TS3		5075	201-46298	
LOMBARDINI					
Industrial	Diesel 3LD, 450		5012		
Industrial	Diesel 500, 503, 505, 507		5012		
Industrial	Diesel 500, 520, 530 (Gr.1)		5035	500.6585.032.	
Industrial	Diesel 500, 523, 525, 527		5012		
Industrial	Diesel 6LD 260 (Gr.6)		5035	500.6585.032.	
Industrial	Diesel 8LD600, 8LD602 (Gr.8)		5048	904.6585.22	
Industrial	Diesel 904		5048	904.6585.22	
Industrial	Diesel LD 450 (Gr.3-4)		5012		
Industrial	Diesel LD 672, LDA 673		5034	276.6585.30	
Industrial	Diesel LDA 80, LDA 808		5012		
Industrial	Diesel LDA 832, LDA 833		5034	276.6585.30	
Industrial	Diesel LDA 96		5012		
Industrial	Diesel (Gr.5-7-9-10-11)		5034	276.6585.30	
Industrial	Group 11		5074	625.6585.079.	
Industrial	LDW 1204	1992-1997	5071	115.6585.076.8	
Industrial	LDW 1204 P, 1404 P (Piaggio)	1998...	5082	117.6585.093.	
LOTUS					
Elan 1558, Cortina		1967-1973	3007		
Seven, Super Seven	105, 109 E	1963...	3007		
MARSHALL					
Rullo Compressor	Perkins 3.152.1		5002		
Tr. TM90	Perkins 6.354		4008		
MASSEY FERGUSON					
CX 65	Perkins 4AD/236	1965...	5013		
Escavotor 450C	Perkins 6.354/1		4008		
Escavotor MF350,W350,MF487	Perkins 4.248		5003	2641725	
Escavotor MF5400,620/5,3366	Perkins 6A.354		4008		
MF 1080 Phase II	Perkins 4.318		5027		
MF 11	Perkins 4.248		4002		
MF 11 Shavel Loader	Perkins 4.248		5003	2641725	

BRAND AND TYPE VEHICLE APPLICATIONS

FLP

VEHICLE	ENGINE	YEAR	FLP	O.E.M. REF	NOT.
MASSEY FERGUSON					
MF 1100, 1130	Perkins 6AT.354, 6A.354		5046		
MF 165 Combine	Perkins 4.212		5003	2642725	
MF 165 Combine	Perkins 4.212		4002	2641338	
MF 186 Combine	Perkins 4.212		4002		
MF 44	Perkins 6AT.354, 6A.354		5046		
MF 4488, 5400	Perkins 6AT.354, 6A.354		5046		
MF 487 Combine	Perkins 4.248		4002		
MF 50 Phase II Skid	Perkins 4.212		4002		
MF 6130	Perkins 1004.4.40		5079		
Machine Agricola MF 33	Perkins 4.248		4002		
Model 500 Combine			4008		
Model 86-6 Combine	Perkins 4AD/203	1965...	5013		
Tr.122	Perkins 3.152		4001	2641308	
Tr.122	Perkins 3.152		5002	2641406	
Tr.122	Perkins D3.152		5004	2641712	
Tr.122, MF 133/135	Perkins D3.152		5001		
Tr. 135	Perkins 3.152, 152UA385700		5002		
Tr. 135, 203, 205	Perkins A3.152	1965...	5002		
Tr. 165, 300, HX21	Perkins 4AD.203	1966...	5014		
Tr. 168,MF175/175S,175/178	Perkins 4.236		4002		
Tr. 400, TX37 Super 90	Perkins 4A.300	1965...	5046		
Tr. D400C			4008		
Tr. DX35, DX40, HX210	Perkins 3AD.152		5001		
Tr. DX45, HX211, MF 165	Perkins 4AD.203	1966...	5014		
Tr. FE35	Perkins 23 C		5067	1884857M91	
Tr. Industrial MF 30/50	Perkins 4.212		5003	2641725	
Tr. Industrial MF 30/50	Perkins 4.212		4002	2641338	
Tr. Indust. MF 2203-7, 2205-7	Perkins D3.152		5004		
Tr. I.C.M. Aprilia MF 100C	Perkins D3.152		5001	2641311	
Tr. I.C.M. Aprilia MF 100C	Perkins D3.152		5004	2641712	
Tr. MF 1200			4008		
Tr. MF 1250, 2720, 530	Perkins 6.354.4		5038		
Tr. MF 133, 135	Perkins D3.152		5004	2641712	
Tr. MF 135	Perkins D3.152		5001		
Tr. MF 135 Mk III, 135V	Perkins 3AD.152		5001		
Tr. MF 135 Mk III, 135V	Perkins 3A.144	1960...	5002		
Tr. MF 135,135ET	Perkins 3AD.152		5001		
Tr. MF 135,135ET	Perkins 3A.144	1960...	5002		
Tr. MF 135,135/2135	Perkins D3.152		5004	2641712	
Tr. MF 135, 2135	Perkins D3.152		5001	2641311	
Tr. MF 140 Mk III, 145V	Perkins 3AD.152		5001		
Tr. MF 140, 140V	Perkins 3AD.152		5001		
Tr. MF 148	Perkins D3.152		5004	2641712	
Tr. MF 148 Mk III, 152, 152ET			5001		
Tr. MF 148, 148/148V	Perkins D3.152		5001	2641311	
Tr. MF 150, 203, 2200	Perkins 3AD.152		5001		
Tr. MF 152 Mk III, 152V			5001		
Tr. MF 155	Perkins 4AD.203		5031		
Tr. MF 155, 158	Perkins 4.318		5027		
Tr. MF 155, 158, 260, 560	Perkins D4.203		5052		
Tr. MF 158, 158ET, 158 Mk III	Perkins AD4.203		5014		
Tr. MF 168,175,265,275,362,365	Perkins 4.236		5003		
Tr. MF 372,375,565,575,675,3050	Perkins 4.236		5003		

BRAND AND TYPE VEHICLE APPLICATIONS

FLP

VEHICLE	ENGINE	YEAR	FLP	O.E.M. REF	NOT.
MERCEDES - BENZ					
190/W201-M102	2000 (90 PS, 105 PS)	1/1983...	4032		
200/W123-M102	2000 (109 PS)	4/1980...	4032		
200/W124-M102	2000 (109 PS)	1/1985...	4032		
MORGAN					
4x4	1600 Eng.FIAT 1585 cc	1982-1985	3039		
4x4 III - IV - V	Ford L34	1965...	3007		
MOTOR IBERICA					
Applc.diverse	Perkins 4.203		5013		
Applc.diverse	Perkins D3.152		5033		
Industrial	Perkins 3.152		5068	652.36	
Industrial	Perkins 4.203		5041		
Industrial	Perkins AD4.203TA		5040		
MUIRHILL					
Machine Agricol	Perkins 6.354		4008		
Tr.Agr. 4RM	Perkins 6.354.4		5038		
NEW HOLLAND (FIAT GEOTECH)					
Tractor	8045.06.200		5007		
Tr. 350, 355, 400			5007		
Tr. 420, 450, 450DT			5007		
Tr. 455			5007		
Tr. 455C, 470, 480DT			5007		
Tr. 500, 500DT, 505			5007		
Tr. 505C, 500DT Special			5007		
Tr. 540, 550, 550DT			5007		
Tr. 555, 580, 600DT			5007		
Tr. 600DT3, 605			5007		
Tr. 605C, 640, 640DT			5007		
NISSAN (DATSUN)					
Ebro Patrol 2700 Diesel	P.MD 270 (Spain)		5062		
NUFFIELD					
Tractor 3/45, 4/65		1968...	4007		
OLTCIT (ROMANIA)					
650 Special-clup 11, 11R	650		3018		
651 Special-clup 12TRS	650		3018		
Axel 11R, 12R	1129 cc - 4 Cyl. Citroen	1981...	4041		
Clup 11R, 12TRS	1297		4041		

BRAND AND TYPE VEHICLE APPLICATIONS

FLP

VEHICLE	ENGINE	YEAR	FLP	O.E.M. REF	NOT.
OPEL					
Admiral	1100	9/65-12/75	4035		
Admiral B	2800 H/S	1969-7/77	4036		
Ascona	1200	1983...	4035		
Ascona	1300 Eng.348041	1979-9/81	4029		
Ascona	1300 Eng.348040	1979...	4035		
Ascona A, B, S, N	1600, 1900, 2000	8/70-9/81	4036		
Ascona C	1300	10/1981...	4029		
Ascona C, S	1600, 1800	1981...	4023		
Ascona, Rekord	2000 Diesel	1979-1981	4033		
Ascona,Rekord,Rekord Turbod		9/1972...	4033		
Blitz	1900	1965-12/75	4035		
Blitz, LKW	2500	1966...	4036		
Commodore	2200, 2500S, 2800 H/S	1967-1977	4036		
Corsa NB, S, SB	1300	9/1988...	4023	816075	
Corsa S, ST	1200	9/1988...	4023	816075	
Corsa S, ST, SB, NB	1200, 1300	1983-8/80	4029		
Diplomat B	2800 H/S	1969-7/77	4036		
Kadett	1200	9/1982...	4029	816062	
Kadett	1300 Eng. 348041	8/79-8/82	4029		
Kadett	1600	1982...	4023		
Kadett E	1400	1989-1991	4023		
Kadet N, NB, S	1300	9/1988...	4023	816175	
Kadet S, GT	1600, 1900	1969-8/79	4036		
Kadet S, OHC	1200	9/1988...	4023	816075	
Kadet S, OHC	1200, 1300...Eng.348040	1979-1984	4035	816049	
Kadet S, SV	1600	9/1988...	4023	816075	
Kadet, Olympia	1500	9/67-8/70	4035		
Kadet, Olympia	1700	9/67-8/80	4035		
Kadet, Olympia	1900	8/65-3/71	4036		
Kapitan	1900	9/65-12/75	4035		
Kapitan	2800	1969-7/77	4036		
Manta	1300	10/1981...	4029		
Manta	1300 Eng. 348041...	1979-9/81	4029		
Manta	1300...Eng.348040	1979...	4035		
Manta	1800	3/1982...	4029		
Manta B 1, 6N/S-1, 9 S-2, ON/S	1600, 1900, 2000	8/70-9/81	4036		
Monza	2800	10/67-8/82	4036		
Monza	2800H	1978...	4036	816047	
Monza	3000H	1978...	4036	816047	
Omega	1800	8/86-1988	4023	816068	
Omega	2300 Diesel	8/1986...	4033		
Rekord	1500-1700	1965-2/71	4035		
Rekord	1700, 1900, 2000	3/1971...	4036		
Rekord	2200	1967-1968	4036		
Rekord 1, 8 N/S	1800 ...Eng.D1197760	1983...	4029		
Rekord D	Diesel	9/72-8/77	4031		
Rekord E	1800	1978-1982	4023		
Rekord E	2100, 2300 Diesel	1975-1986	4033		
Senator	2800	10/67-8/82	4036		
Senator	2800H	1978...	4036	816047	
Senator	3000H	1978...	4036	816047	
Senator	Turbodiesel	1985...	4033		

BRAND AND TYPE VEHICLE APPLICATIONS

FLP

VEHICLE	ENGINE	YEAR	FLP	O.E.M. REF	NOT.
OPEL					
Vectra	1400, 1600	...1988	4023	816074	
Vectra	1800	...1988	4023	816055	
Vectra OHC	1400, 1600	9/1988...	4023	816075	
OPEL (Bresil)					
Commodore	2500, 2800	7/70-9/77	4023		
Kadett, Panema	1600, 1800, 2000		4023		
Monza	1600, 1800, 2000		4023		
Rekord	1900, 2000, 2200	...8/1970	4023		
ORENSTEIN E KOPPEL					
V 25	Perkins 4.203		5013		
OTOSAN (TURKEY)					
Anadol	1300		3007		
Taurus	1600,2		3026		
Transit	T12-T15		4015		
OYAK (TURKEY)					
12 TX, 12 TSW	1400		3003		
9 GTL	1400		3029		
11 GTS, TXE	1700		3049		
PALMIERI					
Industrial	PDA 625, 1250		4026		
PERKINS					
All. Volkswagen	4.165		5062	2641809	
Industrial	1004 4.40		5079	2641A067	
Industrial	1006T (6 Cyl. Turbo)		5054	2641A068	
Industrial	3A.144, 3.152.1, 3.152TA		5002	2641406	
Industrial	4-4.203, D4.203	1965...	5013		
Industrial	4.154, 4.203		4017	2641327	
Industrial	4.165 (Spain)		5062	2641809	
Industrial	4.203.2		5052	2641A054	
Industrial	4.203, 4.203TA, 4.192		5031		
Industrial	4.212, 4.236, 4.248		5003	2641725	
Industrial	4.212, 4.236, 4.248		4002	2641478	
Industrial	6.354.4, T6.354.4		5038	2641719	
Industrial	6.357/7		5028	2641371	
Industrial	A3.152, D3.152		5002	2641406	
Industrial	A4.318, 4.203		5027	2641333	
Industrial	D3.152		4001	2641308	
Industrial	D3.152		5004	2641712	
Industrial	D3.152, 3.152, 3AD.152		5001		
Industrial	D4.203		5052	2641722	
Industrial	F3 con Simms P4442, P4588		4003	35275	
Industrial	F3 con Simms P4696		4003	35275	
Industrial	G4.236 Benzin		5066	2641726	
Industrial	P 3/Simms P4609 (Spain)		4003	35275	

BRAND AND TYPE VEHICLE APPLICATIONS

FLP

VEHICLE	ENGINE	YEAR	FLP	O.E.M. REF	NOT.
PERKINS					
Industrial	Seri 1000		5045		
Industrial	V8.510, V8.540, P710	1974...	5029		
Industrial			5080	2641337	
Industrial	6.354, 6.372	1961...	4008		
Industrial	P3, P3/144, P3/144TA, 3B/152		4003	35275	
Industrial	P.4A300, 6A354, 6AT354	1965...	5046	2641344	
Industrial	6.288, 6.305, 6.340, 4.99	1965...	5028	2641371	
Industrial	4.203		4017	2641327	
Marino	4/99 Marin. 6.288, 6.305, 6.340	1963...	4008		
PEUGEOT					
203			3016		
204	1.1	1965-1976	3031		
205 GL, GR, SR, S		3/83-1988	3042		
205	XU5	1989-1992	4043		
304, 304S	1100, 1300	10/68-1979	3031		
305 GL, GR, SR, S	1300, 1500	12/1977...	3031		
305 GT, GTX	1905	9/84-7/85	3043		
305 S, GT	XU, XU5	2/1984...	3043		
309 GR, SR	1580 (XU51C) 1900	9/1985...	3043		
403/7, 403		...2/1961	3016		
403/8		...2/1961	3031		
403/U		12/1960...	3031		
404	1600	3/1960...	3016		
504 Coupe, Cabriolet	V6	10/1974...	4039		
504 L, GL, GR, SR, S	1800, 2000	10/1968...	3016		
505 GL, GR, SR	1800, 2000	5/1979...	3016		
505 (Svezia, Svizzera)	XN, XM7		3028		
604 Cabriolet, Coupe PF		1/1978...	4039		
604 SL	V6	10/1975...	4039		
605	XU- 2.0 Lit.	1989-1992	3043		
Furgone J 5	Benzin	9/1982...	3028		
J 5	XN1A, XN8 - Benzin	11/81-8/82	3016		
J 9	1600, 2000 - Benzin	1/1980...	3016		
Jeep P4	Benzin	1981-8/82	3016		
Jeep P4	XN8, X2-12 - Benzin	9/1982...	3028		
PIAGGIO					
Porter Diesel	Lombardini LDW 1404	1998...	5082		
PONTIAC (USA)					
Le Mans (DAEWOO)	Opel 1900	1974-1978	4036		
RANGER					
S, SH	1700,1900, 2500, 2800	1972-8/77	4036		
RANSOMES & RAPIER					
Mobile Crane	Perkins 4.203.1		5013		
RELIANT					
Robin		1973...	5067		

BRAND AND TYPE VEHICLE APPLICATIONS

FLP

VEHICLE	ENGINE	YEAR	FLP	O.E.M. REF	NOT.
RENAULT					
4 CV, Douphine, Floride		1953-1962	3015		
Alpine A 110	R12	1970...	3015		2 Tube
Alpine A 110	R12	6/1970...	3003		3 Tube
Alpine A 110	R8, R8 Gordini	1968...	3015		
Alpine A 110, 310	R16 TS/TX	1968-1976	4042		
Alpine A 310	V6	1976...	4039		
Break F4		1961-1971	3015		
Chamade RT, GTX, TXE	L533	1989-1993	4045		
Clio RT	F2N 1700	7/1990...	4045	77.00.853.480	
Espace GTX, TX, TSE	2000	7/1984...	4043		3 Tube
Estafette	R2136, R2137, Eng.810	1970-1980	3015		
Express	950, 1108, 1200, 1400		3012		
Fuego	R1363 2.0 lit.	1982-1985	4043		
Fuego TL, GTL	R1360	3/1980...	3003		
Fuego TS, GTS ,Automatic	R1362, R1368	3/80-1985	4042		
Fuego TX, GTX ,Automatic	R1263	1980...	4043		3 Tube
Fuego TX, GTX ,Automatic	2100	1980...	4045		
Jeep C17	1995	5/1983...	4043		
Master	829, 730, 829, 731	10/1980...	4043		
Nevada Break/Estade	F2N	1986-1992	4045		
R10, R12	1190, 1192	1966-5/70	3015	77.02.103.370	
R11	1100, 1250, 1400	1981-7/85	3029		
R11	1397	1986...	3012		
R11 GTS, TSE	1400	3/1983...	3029		
R11 TC,GTC, Société	1100	3/1983...	3029		
R11 TL,GTL Automatic	1400	3/1983...	3029		
R11 GTX, TXE, FLASH	1700	3/1983...	3049		3 Tube
R12 Gardini	R1173	10/70-1974	4042		
R12 L,TL,TR		9/1969...	3003	77.00.733.545	
R15 TL, GTL, TA	R1300	10/1971...	3003		
R15 TS, TA	R1302	10/71-9/76	4042		
R16	R1150	1968-1970	3015		
R16 L, TL	R1152	1968-1970	3015		
R16 TA	R1153	1968-1970	3015		
R16 TS, TA, TX	R1151, R1154, R1156	1968-6/76	4042		
R17 TL, TS	R1312, R1318, R1322, R1328	1972-1978	4042		
R18 Diesel	R1344 Eng.852	1982-1986	4038		
R18 Export GTS	2100	1980...	4045		
R18 Export GTS	R1348, R1358, R1342, R1352	3/80-1986	4042		
R18 Export GTS,GTX,TX,Break	2000 R1343	3/1980...	4043	77.00.690.477	
R18 Export TX,GTX	2100	1980...	4045		
R19 GTX, TXE	1700	9/1988...	3049		3 Tube
R19 GTX, TXE	F2N 1700 - B53M, C53M	9/1988...	4045	77.00.743.727	2 Tube
R19 TR, TRE			3029		3 Tube
R19, R21 (Vett.extra europa)	1700		4045		
R20	R1272, R1277	1980-1983	4043		
R20 Diesel TD, GTD	R1276	12/1979...	4038		
R20 LS, TS, TX, Automatic	2000, R1279	1977...	4043		
R20 L, TL, GTL	1600, R1271	12/75-1983	4042		
R21	1721 Lit.		4046	77.00.735.148	
R21 Nevada	F2N 1700	7/1987...	4046	77.00.735.148	
R21 Nevada TS, GTS			4045		

BRAND AND TYPE VEHICLE APPLICATIONS

FLP

VEHICLE	ENGINE	YEAR	FLP	O.E.M. REF	NOT.
RENAULT					
R21 TL, GTL			3012		
R21 TS, GTS, RS	1.7 F2N-711/720/721/754	7/1991...	4045	77.00.860.573	
R25 GTS, TS, TX	2000, B297	1984...	4043		
R3			3015	77.01.348.210	
R30 TS, TX	R1273, R1275	10/76-1983	4039		
R3, R4	R1120	10/61-9/71	3015		
R4 Furgonette F4		1961...	3015		
R4 L, TL	1120, CIC 708	7/1986...	5070	77.00.736.664	
R4 L, TL, Rodeo, Safari	R1123, R1126	10/1961...	3015		
R5	R1120, R1121, R1391	2/1972...	3015		
R5 GTX Baccara	F2N 1700	7/1987...	4046		
R5 Société	R2381		3015		
R5 Van	1100, 1200, 1400	7/84-1993	3012		
R6L	R1180	10/68-1/80	3015		
R8, R8 Gordini	R1134, R1135, R1130	1968...	3015	77.02.103.370	
R8, R8 Major	R1130, R1132, R1136	1962...	3015		
R9	1100, 1250, 1400	8/1985...	3012		
R9	1100, 1400	1981-7/85	3029		
R9 C, TC, GTC, TCE, L	1100	9/1981...	3029		
R9 GTS,TSE,TCE, L Automatic	1400	9/1981...	3029		
R9 TL, GTL, TLE	1400	9/1981...	3029		
Supercinque GL, GTX, Autom.	1108, 1397	9/1984...	3012		
Trafic	1397cc-Eng.847.00x0	1980...	3029		
Trafic TI3008, PI4008		5/1983...	4043		
Trafic, Microcar Minibus	1200cc, 1400cc	1987-1992	4043		
RENAULT (Argentin)					
R18 Fuego	2000		4043		
R9, R11 (Tutti i tipi)	1400		3029		
RENAULT (RVI)					
SG2	671	1962...	5020	50.00.592.768	
SG4, SG5	671	1962...	5044	50.00.044.183	
RENAULT - FASA (Spain)					
R6, R12		1981...	3003		
R9, R11		1986...	3012		
ROSSI					
Machine Agricole	Perkins 4.236		5003	2641725	
Machine Agricole	Perkins 4.236		4002	2641338	
ROVER					
110	2200	1983-1985	3006		
110	2300 Diesel	1983-1984	5073		
200 SC, TC	2000	1965-1974	5023		
2200	2200	1972-1976	5023		
88 & 109 IIA	2 1/4 L.Diesel (Suffix K)	1961-1971	5073		

BRAND AND TYPE VEHICLE APPLICATIONS

FLP

VEHICLE	ENGINE	YEAR	FLP	O.E.M. REF	NOT.
ROVER					
88 & 109 III	2 1/4 L.Diesel		5073		
88 & 109 Seri IIA	2 1/4 L.Diesel	1961-1971	4018		
88 & 109 Seri IIA	2 1/4 L.Benzin	1971-1984	3006		
88 & 109 Seri III	6 Cyl.Benzin 2 1/4	1971-1984	3006		
Discovery	2.5 lit. TDİ	10/1989...	5056	RTC 6180	
Discovery	2.5 lit. TDİ		5057	ERR 5057	
Defander	2.5 lit. TDİ		5056	RTC 6180	
Defander	2.5 lit. TDİ		5057	ERR 5057	
Land Rover 110	2.5 lit. Diesel	6/1988...	5056		
Land Rover 90	2.5 lit. Diesel	6/1988...	5056		
RUBERY OWEN					
SA 35/41	Perkins 4.203		5013		
TC Seri	Perkins 4.203		5027		
SAAB					
900 D91900	B20T - 4 Cyl.	1980-1983	4030		
90, 99, 900	1985	1983-1987	4044		
95, 96	Ford 1500 (65 HP-4V)	...1974	4037		
99 GL, 900	2000 (100 HP)	1/80-5/83	4030		
B/20/900	B20 - 4 Cyl.	1983...	4030		
SAME DEUTZ - FAHR GROUP					
Industrial			5019		
Tr. Aurora, Minitauro	3 Cyl.		5061		
Tr. Bufalo 130	6 Cyl.	...1978	5042		
Tr. Corsaro, Falcon, Falcon C	4 Cyl.		5061		
Tr. Delfino, Sirenetta	2 Cyl.		5061		
Tr. Drago	6 Cyl.	...1978	5042		
Tr. Panther	5 Cyl.	...1978	5042		
Tr. Saturno	4 Cyl.		5061		
Tr. Tiger	5 Cyl.	...1978	5042		
SANTANA					
Land Rover 110	2500 DC-DL Benzin		5072	54976-F2	
Land Rover 90, 110	2500 DC-DL Diesel		5073	563146	
SAVIEM (RVI)					
Autocarro S800, S1000	Perkins 6.354		4008		
Autotelaio S9 597	Perkins 6.354 6 Cyl.		4022		
Autotelaio SM5, 6, 7, 8, 13	Perkins 6.354		4022		
Diesel	597, 6 Cyl.		4022		
Diesel	797, 798 6 Cyl.	1984...	4022		
Furgone SB2, SG3/4/5, SM5	712/720 4 Cyl.		5044		
Furgone SG2	4 Cyl.		5020	50.00.044.183	
Furgone TP3, TP4	712/720 4 Cyl.		5044		
Seri J, JK60, JK65, JK75	720 4 Cyl.		5053		

BRAND AND TYPE VEHICLE APPLICATIONS

FLP

VEHICLE	ENGINE	YEAR	FLP	O.E.M. REF	NOT.
SCHILTER					
Tractor	Perkins 4.236		5003		
SEAT					
124 D Pamplona	1200, 1430		3005		
124, Sport	1600, 1800	1972-1976	3039		
127	900		3037		
131	1430		3005	0003957754.	
131	1600		3039		
131 Diplomatic	1600, 2000		3038	5936365	
131 Mirafiori	1300, 1600		3005		
132	1600, 1800		3039		
133			3041		
132 (Carburator)	2000	1977-1982	3038		
Fura, Ibiza	903		3037		
Panda	903		3037		
SKODA					
Favorit	1300		3027		
Felicia	1300		3027		
SEDDON ATKINSON					
Truck 16/4	Perkins V8.510		5029		
Truck MK3 13/4	Perkins 6.354.2	1964-1976	4008		
Veicola municip. 200 Export	Perkins 6.354.4		5038		
SHELVOKE					
Intapak, PT Revopak	Leyland 401, 410		5032		
SISU (VALMET)					
BT69CR, 530 City	Leyland 760		5028		
BX84B0 City Autotel.500 Turbo	Leyland		5032		
R141, 142, 149, M149	Leyland 690		5028		
Truck R141,R142,R149,M169	Leyland 690		4008		
SLANZI					
Industrial	Applic.diverse		5064	6585.055.	
SPERRY NEW HOLLAND					
S/Propelled Bale Wagon	Perkins 6.354.4		5038		
S.O.S					
Industrial	Perkins 6.354		4008		
TALBOT					
1610		1970...	4040		
407 7 & 8 Ton	Perkins 6.354	1965...	4008		
Carrier Bantam	Perkins 4.203	1963...	5013	5042232	
Chrysler 160, 180, 1610, 2000		9/70-1981	4040		
Commer Commando Seri 100RG	Perkins 4.236	1974...	5003		
Commer KC Walk Thru	Perkins 4.203	1967...	5013	5042232	

BRAND AND TYPE VEHICLE APPLICATIONS

FLP

VEHICLE	ENGINE	YEAR	FLP	O.E.M. REF	NOT.
TALBOT					
Commer KC Walk Thru	Perkins 4.236	1967...	5003		
Commer KC Walk Thru 1.5 ton	4 Cyl. Petrol	...1963	5013	5042232	
Commer KC Walk Thru 2&3 ton	4 Cyl. Petrol	...1963	5013	5042232	
Commer RC Walk Thru	Perkins 4.203	1965...	5013	5042232	
Dodge 100	Perkins T6.354.4		5038		
Dodge 3,5 /5/6 ton F/C	Perkins 6.354	1965...	4008		
Dodge 6/7/8/9,5/10/11/12 ton	Perkins 6.354	1963...	4008		
Dodge Bus Light/Heavy	Perkins 6.354	1964...	4008		
Dodge Commando 100 Ser.RG	Perkins 4.236	1974...	5003		
Dodge C/D500, C/D600 "S"	Perkins 6.354	1961...	4008		
Dodge D405 3,5 & 5 ton	Perkins 6.305	1965-1970	4008	2641372	
Dodge D405 3,5 & 5-6-7 ton	Perkins 6.305	1965-1970	5028	2641371	
Dodge D406, D500	Perkins 6.305, 6.354	1965...	4008		
Dodge KC Walk Thru	Perkins 4.203	1967...	5013	5042232	
Dodge KC Walk Thru	Perkins 4.236 236U5670...	1967...	5003		
Dodge Tr. KP1000	Perkins V8.540		5029		
Dodge & Commer D407, 7&8 T.	Leyland 370	1965-1970	5011		
Dodge & Commer K500	Perkins V8.510, V8.540	1965-1968	5029		
Dodge & Commer G Commando 100	Perkins V8.540	1974...	5029		
Karrier VA, V8 Truck 8/12 Ton	Perkins 6.354	1963...	4008		
Karrier VC Truck 8/12 Ton	Perkins 6.354	1963...	4008		
MKV	Perkins 4.203	1965...	5013	5042232	
Matra Murena	2200	9/1980...	4040		
Seri G Commando (100)	Perkins 6.354	1965...	4008		
Seri K (500)	Perkins 6.354	1965-1978	4008		
Tagora GL, GLS	2200	2/1981...	4040		
Tagora VS, SX		1981...	4039		
Walk Thru 50	Perkins 6.354		5003	2641725	
Walk Thru 50	Perkins 4.236		4002	2641338	
TOFAS (Fiat) (TURKEY)					
124	1200		3008		3 Tube
124	1200, 1400		3005		2 Tube
131	1300, 1430		3005		
Şahin, Kartal, Doğan	1600		3005		
Serçe	1300		3005		
Tempra	1600, 2000		3019		w/screw
Tempra	1600, 2000		3023		
TOWMOTOR					
560P FLT	Perkins D3.152		4001		
FLT V100, 120, 140	Perkins 4.236		5003		
TRACTORUL BRASOV					
Tractor	1500		5007	115.16.070	

BRAND AND TYPE VEHICLE APPLICATIONS

FLP

VEHICLE	ENGINE	YEAR	FLP	O.E.M. REF	NOT.
VALTRA VALMET (SISU)					
FLT	Perkins 4.203		5027		
VAUXHALL					
Astra	1300	1981-1987	4029		
Astra	1300	1988...	4023	816075	
Astra	1600 JE215466	1981...	4023		
Astra	1600 JE215465	1986-1987	4029		
Astra Nova	1400	189-1991	4023		
Belmont	1300	12/1988...	4023	816075	
Belmont	1600	1985...	4023		
Carlton	Diesel 2300		4033		
Carlton S	1800	1982-8/85	4029		
Carlton S, Viceroy	2000, 2500	9/78-1982	4036		
Cavalier	1300	1980...	4029		
Cavalier	1400	1988...	4023	816075	
Cavalier S	1600	1981...	4023	816075	
Cavalier S	1600, 1900, 2000	1975-1981	4036		
Cavalier S	1800	1982...	4029		
Chevette (Brasil)			4028		
Nova	1200, 1300 CH-4046563	1983-1990	4029		
Nova OHC	1200, 1300 CH-4046564	1990-1993	4023	816075	
Royale	2800	10/78-1983	4036	816047	
Senator		1984...	4036	816047	
VETUS					
Marino	Mitsubishi K4E		5077		
Marino	Peugeot XD3P10,20,33,75H		5077		
VM					
Indusrial	104, 106, 954, 956 SU		4000	1.518.2005A	
Indusrial	1056, T1056SU,6105		4000	1.518.2005A	
Indusrial	298 SU	1981...	5026	1.518.0018A	
Indusrial	T6105 SUN		4000	1.518.2005A	
VOLKSWAGEN					
Caddy	1500,1600,	1982...	3050	056 127 025C	Tube IN dia 6
Caddy	1500,1600,	1982...	3051		Tube IN dia 8
Derby	900,1100,1300 (40/60 PS)	3/77-9/81	3046		
Derby C, CL, GL	1050,1100,1300 (40/60 PS)	10/81-8/83	3046		
Derby C, CL, GL	111 1300 (55 PS)	8/1985...	3047		
Derby C, CL, GL	801 1300 (55 PS)	9/1983...	3048		
Furgone 230/313 Diesel	Perkins 4.165		5062		
Furgone LT280, LT310, LT350	Perkins 4.165		5062		
Golf	1100,1300 (50-60 PS)	5/74-9/81	3046		
Golf	1500,1600 (70/75 PS)	4/74-9/81	3050		
Golf C,CL,GL	1100,1300 (50/60 PS)	10/81-8/83	3046		
Golf C,CL,GL	111 1300 (55 PS)	8/1985...	3047		
Golf C,CL,GL	1500,1600 (70/85 PS)	10/81-6/83	3050		
Golf C,CL,GL	801 1300 (55 PS)	9/83-7/85	3048		
Golf S,SL,GLS Syncro	1600, 1800 (72/90 PS)	7/1983...	3050		Tube IN dia 6
Golf S,SL,GLS Syncro	1600, 1800 (72/90 PS)	11/1984...	3051		

BRAND AND TYPE VEHICLE APPLICATIONS

FLP

VEHICLE	ENGINE	YEAR	FLP	O.E.M. REF	NOT.
VOLKSWAGEN					
Jetta	1300 (60 PS)	9/79-9/81	3046		
Jetta	1500 (70 PS)	9/79-9/81	3050		
Jetta C,CL,GL	1100,1300 (50/60 PS)	10/81-8/83	3046		
Jetta C,CL,GL	111 1300 (55 PS)	8/1985...	3047		
Jetta C,CL,GL	1500,1600 (70/85 PS)	10/81-8/83	3050		
Jetta C,CL,GL	801 1300 (55 PS)	9/83-7/85	3048		
Jetta S,SL,GLS Syncro	1600, 1800 (72/90 PS)	7/83-11/84	3050		Tube IN dia 6
Jetta S,SL,GLS Syncro	1800 (72/90 PS)	11/1984...	3051		Tube IN dia 8
Passat 1300	801 1300 (55 PS)	3/78-9/81	3046		
Passat C,CL,GL	1300 (55 PS)	10/81-8/83	3046		
Passat C,CL,GL	1300 (55 PS)	9/1983...	3048		
Passat C,CL,GL	1600 (75/85 PS)	10/80-9/84	3050		Tube IN dia 6
Passat C,CL,GL	1600,1800 (75/90 PS)	11/1984...	3051		Tube IN dia 8
Passat Syncro	1800 (87/90 PS)	8/82-10/84	3050		
Polo	1050	1981-6/85	3048		
Polo	900,1100,1300 (40/50/60 PS)	3/75-9/81	3046		
Polo Coupe	111 1300 (55 PS)	8/1985...	3047		
Polo Coupe	801 1300 (55 PS)	9/1983...	3046		
Polo Coupe	801 1300 (55 PS)	10/1983...	3048		
Polo Coupe GT	1300 (75 PS)	9/1982...	3046		
Polo Coupe GT	1300 (75 PS)	...10/1982	3048		
Polo C,CL,Fax	111 1050 (45 PS)	7/1985...	3047		
Polo C,CL,GL	1050,1300 (40/60 PS)	10/81-8/83	3046		
Polo C,CL,GL	801 1300 (55 PS)	9/83-6/85	3048		
Santana	1300 (FY-FZ)	1981-1984	3046	052 127 125H	
Santana C,CL,GL	1300 (55 PS)	9/1983...	3048		
Santana C,CL,GL	1600,1800 (75/90 PS)	9/83-10/84	3050		Tube IN dia 6
Santana C,CL,GL	1600,1800 (75/90 PS)	11/1984...	3051		Tube IN dia 8
Scirocco	1100,1300 (50/60 PS)	4/74-9/82	3046		
Scirocco	1100,1300 (50/60 PS)	10/1982...	3048		
Scirocco	1500,1600,1800 (70/90 PS)	4/74-10/84	3050		Tube IN dia 6
Scirocco	1600,1800 (75/90 PS)	11/1984...	3051		Tube IN dia 8
Scirocco Type 53	1300	1983-1987	3047		
VOLKSWAGEN (Brasil)					
Apollo,Gol,Parati	1800	2/1991...	3051	026 127 025.10	Tube IN dia 8
Dasher	1500,1600,1800	1974-1976	3050		Tube IN dia 6
Gol	1600	...10/1989	3050		Tube IN dia 6
Gol,Saveiro,Parati,Voyage	1800	...01/1991	3050		Tube IN dia 6
Gol,Saveiro,Parati,Voyage	AP 1600	1983...	3051	026 127 025 10	Tube IN dia 8
Parati,Saverio;Vayage	1600	...10/1989	3050		Tube IN dia 6
Passat	1500,1600,1800		3050		Tube IN dia 6
Santana, Quantum	1800, 2000	...1/1991	3050		Tube IN dia 6
Santana, Quantum,Logus	1800, 2000	2/1991...	3051	026 127 025.10	Tube IN dia 8
Voyage, Savairo	1800	2/1991...	3051	026 127 025.10	Tube IN dia 8

BRAND AND TYPE VEHICLE APPLICATIONS

FLP

VEHICLE	ENGINE	YEAR	FLP	O.E.M. REF	NOT.
VOLVO					
240	2000, 2100, 2300	1974-1991	3053		
240, 260	B 27		4039		
242, 244, 245	B 21 A	9/1974...	3053	1306877	
264 DL, GL	V6	9/1974...	4039		
340	1700	1985-1989	4046		
340	2000	1980-1984	3053		
340, 343 GL, DL, L	B 14	1978...	3003		
345	2000	1985-1989	3053		
345 GL, DL	B 14	1978...	3003		
360	2000	1980-1985	3053		
360 GLE	1700	1982...	4046		
440	1700	1988-1991	4046		
460	1700	1989-1991	4046		
66	408 cc		3003		
Daf 55, 66	Renault 1108	1969-7/75	3015		
Daf Marathon	Renault 1300cc		3015		
Loaders LM621, LM641, LM4300		1979...	5032		
Tractor P300, P830	Perkins 4.236		5003		
Tractor P827, T500, P838	Perkins 4.236		5003		
Truck F82, F83	Perkins 4.236		4002	2641478	
Truck F82, F83, G65, G80, F407	Perkins 4.236		5003		
Volvo 66	Renault 1108	7/1975...	3015		
WEATHERHILL					
Shovel Loader	Perkins 6.354.4		5038		
WHITE ARBOS					
Combine	Perkins 6.372		4008		
YALE & TOWNE					
FLT D51 AT 40	Perkins 4.203		5027		
YUGO					
101, 128	1116		3036	701180	
311, 511	1100	1983-1990	3036		
313, 513	1300	1981-1990	3036		
Furgone F.	1300		3040		
Koral 45	903		3037	701181	
Koral 55	1116	7/1990...	3036	701180	
Sana	1372	1987...	3019	46618818	
Skola 128, 101			3036	701180	
Tempo	1100, 1300	1991-1993	3036		
Yugo 45-A (America)	900		3037	701181	
Yugo 55-A (America)	1116		3036		
Yugo 65-A	1300	1988-1991	3036		
Yugo Florida	1400, 1600		3019	46618818	

BRAND AND TYPE VEHICLE APPLICATIONS FEED PUMPS
FLP

VEHICLE	ENGINE	YEAR	FLP	O.E.M. REF	NOT.
A B G					
JUMBO	KHD-F 413 V	01/75 >	10011		
AHLMANN					
AF 16	DAF DD 575	06/65-03/73	10001		
AF 20	DAF DF 615	06/65-03/73	10001		
AK 25	DAF DU 825	06/67-03/73	10002		
AK 40	DAF DAK 1160	06/67-03/73	10002		
ARS 14	KHD F6L 514F	06/72-12/74	10001		
AS 16	KHD F6L 413V	06/72-12/74	10001		
ALLIS CHALMERS - INDUSTRIAL ENGINE (USA)					
11000		01/73-01/75	10016		
11000		02/75-06/78	10015		
16000		01/72-12/74	10016		
16000		01/75 >	10015		
16000 H		01/72-01/75	10016		
16000 H		02/75 >	10015		
17000		01/72-12/74	10016		
17000		01/75 >	10015		
17000/21000/25000 MK II		01/72-01/75	10016		
17000/21000/25000 MK II		02/75 >	10015		
21000/25000		01/72-12/74	10016		
21000/25001		01/75 >	10015		
ALLIS CHALMERS TRACTOR (USA)					
HD 11 DD, PS	11000	01/73-12/74	10016		
HD 11 DD, PS	11000	01/75-06/78	10015		
HD 16 D	16000	01/72-12/74	10016		
HD 16 D	16000	01/75 >	10015		
HD 16 M	17000	01/72-12/74	10016		
HD 16 M	17000	01/75 >	10015		
HD 16 PS	17000	01/72-12/74	10016		
HD 16 PS	17000	01/75 >	10015		
HD 21 P	21000	01/72-12/74	10016		
HD 21 P	21000	01/75 >	10015		
M 100 B	11000	01/73-12/74	10016		
M 100	11000	01/75-06/78	10015		
T 460	25000	01/72-12/74	10016		
T 460	25000	01/75 >	10015		
12 GB	11000	01/73-01/75	10016		
12 GB	11000	02/75-06/78	10015		
260 B	25000	01/72-12/74	10016		
260 B	25000	01/75 >	10015		
260 E	21000	01/72-12/74	10016		
260 E	21000	01/75 >	10015		
745 H	11000	01/72-12/74	10016		
745 H	11000	01/75-06/78	10015		
745 H	11000	01/74-12/74	10016		
745 H	11000	01/75-06/78	10015		
945	25000	01/72-12/74	10016		
945	25000	01/75 >	10015		

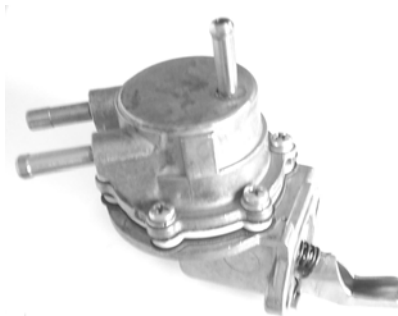
BRAND AND TYPE VEHICLE APPLICATIONS FEED PUMPS
FLP

VEHICLE	ENGINE	YEAR	FLP	O.E.M. REF	NOT.
ATLAS CAPCO					
PR 425	KHD - F 6 L 413	02/72 >	10001		
PR 700	KHD - F 10 L 413	05/72 >	10001		
PRH 425	KHD - F 8 L 714	05/71 >	10001		
VSS 335	KHD - F 6 L 514	06/69 >	10001		
BERLIET					
GBH 280	MDS 06,35,40 A	01/73-06/80	10006		
GC, GF 190	MID 06.20.30	09/74-09/79	10010		
GC, GF, GR 230 A	MIDS 06.20.30	01/76-09/79	10010		
GLM, GR 260	M 635 ET	05/71-12/74	10006		
GR 280, A, B	MDS 06,35,40	01/73-06/80	10006		
PR 14	MIDS 06.20.30	01/77-06/80	10010		
PR 14 S	MIDS 06.20.30	01/77-07/78	10010		
TBH, TLR, TR 280 (260 PS)	MDS 06,35,40	01/73-06/80	10006		
TF 230 A	MIDS 06.20.30	01/76-09/79	10010		
TR 250	M635 CP	01/72-12/74	10006		
TR 260	M635 ET	05/71-12/74	10006		
950 KB 6 S, SA	MIDS 06.20.30	01/76-09/79	10010		
950 KB 6, KBT 6	MID 06.20.30	09/74-09/79	10010		
950 KBT 6S	MIDS 06.20.30	01/76-09/79	10010		
M 635 - 40 A	INDUSTRIEL	05/67-05/80	10001		
M 620 x 30	INDUSTRIEL	01/74-05/80	10010		
BUSSING					
AK 14 - 150	S7D	01/67-12/69	10002		
BS 11-12-13-14 L	U7D (135 PS)	09/68-12/71	10002		
BS 11-12-13-14 -15 FSA	U7D (135 PS)	09/68-12/71	10002		
BS 11-13-14 -15 FSA	U7D (156 PS)	01/69-12/71	10002		
BS 12-13-14 -15 L	U7D (156 PS)	01/69-12/71	10002		
BS 14 K	U11 D-185	01/66-12/71	10002		
BS 14,15	S7D	01/67-12/71	10002		
BS 15 L	U11 D (192 PS)	11/68-12/71	10002		
BS 15,16	U11 D (210 PS)	09/69-12/71	10002		
BS 16,19,20	S12 D	11/68-12/71	10007		
BS 16,19,20,22,26,32	S12 DA (280 PS)	06/70-12/71	10007		
BS 16,19,20,22,26,32	S12 DA (310 PS)	06/70-12/71	10007		
BS 16, 22 L	U12 D	09/67-12/71	10002		
BS 16, 22 L	U12 DA (280 PS)	09/69-12/71	10002		
BS 16, 22 L	U12 DA (310 PS)	09/69-12/71	10007		
BS 19	S11 D	12/66-12/69	10002		
BS 100 GT, N, T	U7 D	09/69-12/71	10002		
BS 100 GT, N, T	U11 D	09/69-12/71	10002		
BS 110 GT, N, T	U7 D	09/69-12/71	10002		
BS 110 GT, N, T	U11 D	09/69-12/71	10002		
BS 120 GT, N, T	U7 D	09/69-12/71	10002		
BS 120 GT, N, T, V	U11 D	09/69-12/71	10002		
BSE 110 GT, N, T	U7 D	09/69-12/71	10002		
BSE 110 GT, N, T	U11 D	09/69-12/71	10002		
BSE 120 GT, N, T	U7 D	09/69-12/71	10002		
BSE 120 GT, N, T	U11 D	09/69-12/71	10002		

FLP FUEL PUMPS & FEED PUMPS

2004

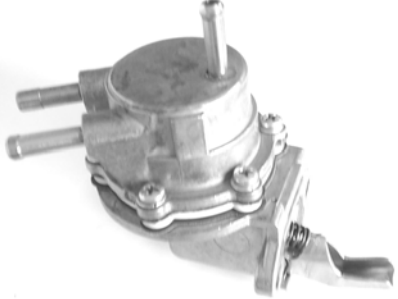
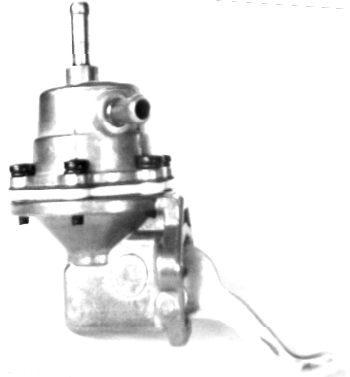
POMPA DI ALIMENTAZIONE - FUEL PUMP - POMPE D'ALIMENTATION - KRAFTSTOFFPUMPE - BOMBA DE ALIMENTACION

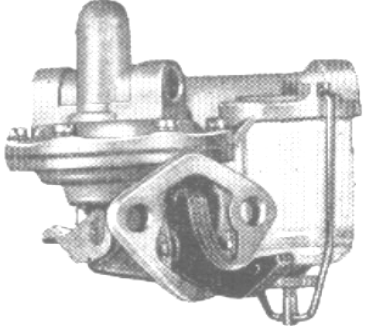

FLP	REFERANCCCE	TO FIT:	PICTURE	FLP NR.
3001	7971111 461-174 PBS 514 SP026	LEYLAND:Furgone JU 250,J2,J4 180-Furgone Sherpa 185,215, 240 1,8 lit. BMC: TM 25		3001
3002		Jeep USA 4-6 cyl.		3002
3003	1778/5 25061447 25066361 3267347-7 3277579 3277597 3277597-5 461-37 5506924 60.00.557.831 77.00.653.611 77.00.509.109 77.00.531.547 77.00.551.669 77.00.614.533 77.00.633.708 77.00.681.700 77.01.348.612 7.21740.50 7.21742.50	DACIA(Romania):1210,1310,1320,1410 RENAULT TURKEY: 12TX,12TSW RENAULT: Alpine A 110 r12 6/1970-Fuego TL,GTL R1360 3/1980- R12 L,TL,TR 9/1969-R15 TL,GTL,TA R1300 10/1971- R18 L,GTL,TA,Break 1400 4/1978-R6,R12 1981-340,343,GL,DL,L B 14 1978-345 GL,DLB 14 1978-66 408CC		3003


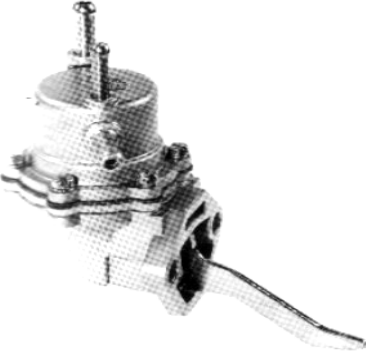
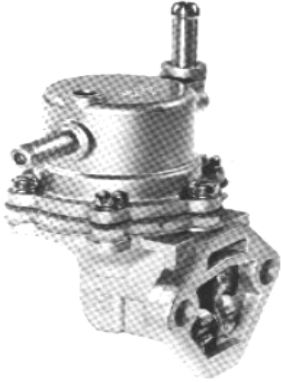
FLP FUEL PUMPS & FEED PUMPS

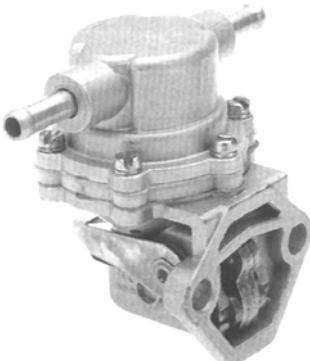


2004

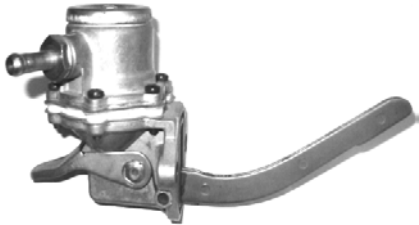

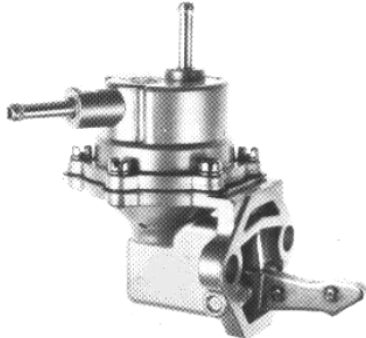
POMPA DI ALIMENTAZIONE - FUEL PUMP - POMPE D'ALIMENTATION - KRAFTSTOFFPUMPE - BOMBA DEALIMETACION

FLP	REFERANCFE	TO FIT:	PICTURE	FLP NR.
3003	8017 8034 BC-112 LI-006 MS-60496-S PL 3017 PL 3034 POC 544 PBS 181 SP059			3003
3004	795 0695 797 1263 799 0448 795 0466 2735E-9350 C 109F-9350 C 105E-9350 1896-5 PBS 138	FORD(England):Anglia 1960/1967-Capri April 1961 July 1964 Capri 1300-1600 October 1967 July 1969-Capri AutomaticOctober1967 July 1969-Capri 1300 GT-1600GT 1969-Classic315 April1961 July 1964-Corsair 1963-1965 - Cortina MK1-1200-1500 1962-1970 Escort 1300 1968-1969 - Furgone 5-7 CWT mot.Anglia 1960-1967 Furgone 6-8 CWT mot.Escort 1968-1969 - Furgone 105e 1961 -Applic. MORGAN:4/4-III-IV-V con mot.Ford 1969 LOTUS: Elan con mot.Ford 1963-1965 - Lotus-Cortina - Seven-Serie11 Mot.Ford 105 E - Super Seven-Serie 11 Mot. Ford 109-109 E ANADOL :		3004
3005	2146/5 25066446 3957754 4196041 4225568 4336342 4364431 4374853 4389400 4434789 4434834 4434840 4445630 461-4 461-5 5507933 POC 056 9.06.101.11 9.06.144.11 9.06.176.11 PB 13 SP085	AUTOBIANCHI : A111-Primula 65C-Coupé S FIAT : 124 1200 7/66-1/72 - 124 Special,Sport 1400 1968-1974 - 131 1300,1600 t.t Monoalbero ...3/1981 SEAT: 124 D Pomplona 1200,1430 -131 1430 - 131 Mirafiori 1300,1600 TOFAS TURKEY : 124 1200,1400 - 131 1300,1430 - Murat Sahin,Dogan,Kartal 1600- Murat Serce 1300 SP128		3005

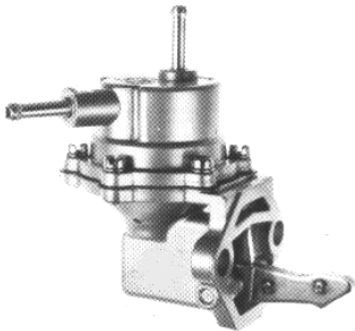
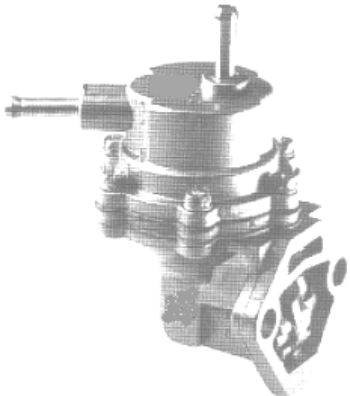
FLP	REFERANCCCE	TO FIT:	PICTURE	FLP NR.
3006	2574 25061503 3852 3853 461-113 501735 549761 7950446 POC 622 POC 104 PAF 22 SP024	ROVER:110 2200 1983-1985 - 88&109 Serie IIA Petrol 2 1/4 1971-1984 - 88&109 Serie III 6Cil. Petrol 2 1/4 1971-1984		3006
3007	1896/5 1 474 926 1 475 926 109E9350 B-A 25061532 25061617 2735E9350 CA 2737E9350 A 3620 3626 461-128 461-187 461-194 461-197 461-285 461-335 6 132 168 6 160 890 691F9350 AB 7950695 7971241 7971263 7971280 7971463 7990448 7.20933.50 83BF9350 AA 8504595 83BF9350 BA 8620 93151341 9.06.270.11 BC-116 FP 0448 FPM-032 FPM-033 G 448 G 695 GFP 3261N GFP 3262N	FORD (EUROPA): 5/7 CWT Anglia 1965-1967 - 6/8 CWT Escort 1968... - Anglia 1965-1970 - Capri,Capri GT 1300,1600 1967... - Cortina 1200,1300,1500,1600 1965-1974 - Cortina Lotus 1558cc - Cortina MK2-MK3-MK4 1300,1600 5/70-1976 - Escort 950,1100,1300 1975-1980 - Escort,Escort GT 1100,1300 1968-1975 - Fiesta 950,1100,1300 7/76-8/88 - Fiesta XR2,OHV 1600 1981-1983 - Kent marino,105 E 4 Cil. 1961... - Transit Benzina 1968-1978 - Transit GB 1600 1975... LOTUS: Elan 1558,Cortina 1967-1973 - Seven,Super Seven 105,109E 1963... MORGAN: 4x4 III-IV-V Ford L34 1965... ANADOL:		3007

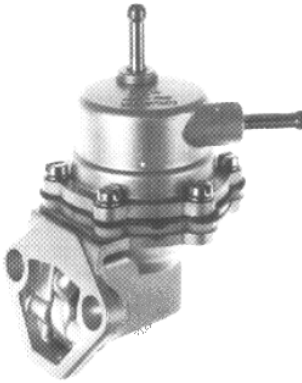
FLP	REFERANCCE	TO FIT:	PICTURE	FLP NR.
3007	LM-041 POC 093 PBS 139 PBS 140 SP136			3007
3008	2125/6 4286414 4338935 4434843 5507939 8611 9.06.072.11 POC 067 PB 50 SP116	FIAT: 124 1200 2/1972... TOFAS :124 1200		3008
3009	2192 2101.1106010 4102819 4163954 4384373 7.21771.50 8520 BC-236 POC 112 PB 50	FIAT: 1100 T 217 FSO(Fiat Polonia): 125 P 1300,1600 1976... LADA: 21043 Station Wagon 1500 - 2105 1200,1300,1500 1973-1986 - 2107 1300,1500,1600 1978-1984 - Niva 1600		3009

FLP	REFERANÇE	TO FIT:	PICTURE	FLP NR.
3010	2624 2108.1106010 2108.910610 8521 2108011 SP124	LADA: Carlota 1100,1300,1500 - Samara 1100,1300,1500 1987-1992		3010
			LEVYELİ SAMARA	
3011	2627 21081106010 2108910610 7.21772.50 BC-237 POC 620	LADA : Carlota 1100, 1300, 1500 Samara 1100, 1300, 1500 1987-1992		3011
			LEVYESİZ SAMARA	
3012	2549 77.00.728.131 77.00.276.305 77.00.726.305 77.00.728.131 77.00.734.250 7.21780.50 8744 BC-128 PL 3744 PL 8744 POC 638 PBS 245	RENAULT: Baccara 9/1988... - R11 GTX, TXE 1700 3/1983... - R19 GTX TXE 1700 9/1988... - R21 GTS 1700 - R21 GTS, TS, TSE Nevada 1986... - R9 GTX, TXE 1700 3/1984... - Su8percinque GTR, Spring B 9/1988... - Trafic T1000B 9/1988... - Fasa 9-11-Express		3012
			IN= DIA 8 OUT=DIA 8	

FLP	REFERANČE	TO FIT:	PICTURE	FLP NR.
3013	692M9350	FORD V MOTOR		3013
3014	2003/5 21011106010 4163954 9.06.121.11 PB 50/A SP140	LADA : 21043 Station Wagon 1500 .. 2105 1200, 1300, 1500 1973-1986 2107 1300, 1500, 1600 1978-1984 NIVA 1600 ..		3014
3015	1889/5 08.54.512.600 08.55.438.500 25061440 25061441 25066265 25066410 3011 461-28 461-29 461-385 5 548 544 5506914 5506915 70 02 103 370 77 00 633 554 77 00 654 475 77.00.514.429 77.00.518.857 77.00.527.322	RENAULT: 4 CV Dauphine, Floride 1953-1962 - Alpine A 110 R12 1970... - Alpine A 110 R8, R8 Gordini 1968... - Break F4 1961-1971 - Estafette R2136, R2137 Mot.810 1970-1980 - R10, R12 1190, 1192 1962-5/70 - R16 R1150 1968-1970 - R16 L, TL R1152 1968-1970 - R16 TA R1153 1968-1970 - R3 - R3, R4 R1120 10/61-9/71 R4 Furgonette F4 1961... - R4 L, TL, Rodeo, Safari R1123, R1126 10/1961... - R5 R1120, R1121, R1391 2/1972... - R5 Société R2381 - R6 L R1180 10/68-1-80 - R8, R8 Gordini R1134, R1135, R1130 1968... R8, R8 Major R1130, R1132, R1136 1962... VOLVO: Daf55,66 Renault 1108 1969-7/75 - Daf Marathon Renault 1300cc - Volvo 66 Renault 1108 7/1975...		3015

LEVYELI NIVA

FLP	REFERANCCCE	TO FIT:	PICTURE	FLP NR.
3015	77.00.527.323 77.00.635.741 77.00.640.440 77.00.698.996 77.01.000.969 77.01.018.426 77.01.348.210 77.01.348.241 77.02.103.370 8 554 621 8005 9.06.120.11 BC-121 LI-002 PL 1007 PL 3005 PL 3006 POC 100 PBS 175			3015
3016	1875/6 1450.11 1450.14 1450.16 1450.22 1450.30 1450.71 1450.76 25061444 25066362 3224 461-27 461-32 5506913 5506918 7910000321 791002069 7.21747.50 8202 8203 8205 8224 91501190 BC-106 CZ-055 PL 3202 PL 3203 PL 3205 PL 3252 PL 3255 POC 311 POC 527 PBS 169	CITROEN: C 25 1800,2000(Benzina) 9/1982... PEUGEOT: 203 - 403/7,403 ...2/1961 - 404 1600 3/1960... - 504 L, GL, GR, SR, S 1800,2000 10/1968... - 505 GL, GR, SR 5/1979... - D 3 A - D 4 A - VAN - J 5 XN1A, XN8 - Benzina 11/81-8/82 - J 7 Benzina 1965... - J 9 Benzina 1600,2000 1/1980... - Jeep P 4 Benzina 1981- 8/82		3016


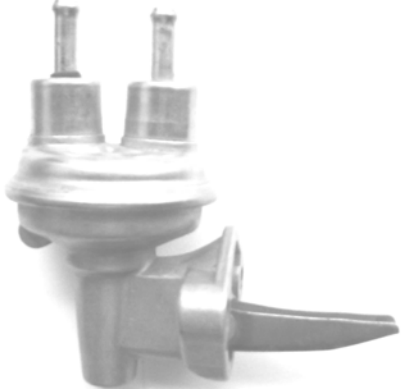

FLP	REFERANCC	TO FIT:	PICTURE	FLP NR.
3017	2156/5 25066261 4308515 4380192 4381597 4392833 4394917 4434829 461-3 7547642 7571474 8607 9.06.290.11 BC-136 POC 081 PB 51	FIAT: 126,126 Personal (c/alternat) 650 1972-1987		3017
3018	1828/5 25066358 3303 3307 461-63 5400346 5507913 75515547 75522440 7.21752.50 8303 95495108 95495198 9.06.168.11 A 173 04 A 173 AO A 173 O A 173 OA A 1734 AM 173 OC AY 173 O AY 173 OA AY 173 OC AY 1730 AY 1730 A AY 1730 RP BC-125 CZ-057 DM 1730 C DS 1730 HY 173 D HY 1730 HY 1730 A PL 3308 PL 3311 POC 320 PBS 126	CITROEN:2 CV 4,2CV 6,2 CV Special 9/1968... - 2 CV Clup,2CV Chaeleston 1968... - 3,4 CV 602,652 1968... - AKB,AK400 8/68-4/78 - AXEL Special 652CC 1984... - Acadiane 602 5/1978... - Ami 6,8 602 8/1962... - Axel 602 1969-1973 - Axel Export 652 7/1984... - Dyane 4,6 8/1968... - Fourgonettes,AZU,AK,AKB 1978... - LN,LNA 652 10/1976... - Mehari 9/1968... - Mehari A 4 x 4 1968 - Visa Special Club 650 10/1978... - Visa,Visa II Special 2 Cil. 10/1978... OLTCTI(Romania):650 Special-Club 11,11R 650 - 650 Special-Club 12TRS 650		3018

FLP FUEL PUMPS & FEED PUMPS

2004

POMPA DI ALIMENTAZIONE - FUEL PUMP - POMPE D'ALIMENTATION - KRAFTSTOFFPUMPE - BOMBA DE ALIMENTACION

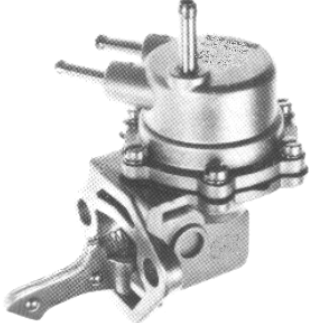
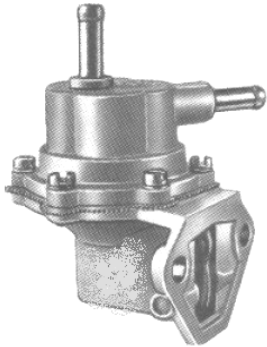
FLP	REFERANCFE	TO FIT:	PICTURE	FLPNR.
3019	2194/2 46618818 711228 7611465 7611466 7611466/5 7611475 8618 9.06.337.11 BC-300 POC 121 POC 605 PB 89 SP149	FIAT: Tempra (Carburatore) 1400,1600 1990-1992 - Tipo,Tipo DGT/AGT (Carbur.) 1400,1600 - Uno R89 - 1370 YUGO: Sana 1372 1987 - Yugo Florida 1400,1600 -		3019
3020		SUZUKI-MARUTI A9133		3020
3021		SUZUKI A 9132		3021

FLP	REFERANCFE	TO FIT:	PICTURE	FLP NR.
3022	PBJ 691 15100-78140	SUZUKI alto (SS80/FBA - SB308/FBA Eng.)		3022
3023	2194/2 46618818 711228 7611465 7611466 7611466/5 7611475 8618 9.06.337.11 BC-300 POC 121 POC 605 SP149	FIAT: Tempra (Carburatore) 1400,1600 1990-1992 - Tipo,Tipo DGT/AGT (Carbur.) 1400,1600 - Uno R89 - 1370 YUGO: Sana 1372 1987 - Yugo Florida 1400,1600 -		3023
3024	17010-O6W28	NISSAN PATROL 17010-06W28		3024

sivamali

FLP	REFERANCFE	TO FIT:	PICTURE	FLPNR.
3025	PBJ 690 15100-83000	SUZUKI-SAMURAI (SJ 413 - G13 alx Eng.)		3025
3026	1895/7 1 535 554 1 562 589 11 712 073 2403 25061314 461-319 461-320 461-321 461-322 461-36 5506923 6 090 510 6 097 538 6 146 183 72HF9350 AA 75HF9350 AA 76HF9350 AA 76HF9350 AB 7.15559.50 7.15605.50 7.20201.11 7.20201.50 7.20428.51 7.20428.56 7.20828.51 7.20828.59 81SF9350 DB 81SF9350 FA 84BF9350 C 84BR9350 C 8625 8626 93151089 93151129 93151159 93151171 93151428 9.06.285.11 BC-134	FORD (EUROPA): Capri (OHC) 1300,1600 4 cil. 4/70-9/75 - Capri (OHV) 1300,1500,1700(4V) 10/67-1971 - CApri II (OHV) 1300,1600,2000 4 cil 10/1975... - Consul 2000 4 cil 90 HP 4/70-8/79 - Cortina MK3 (OHC) 1600,2000 1970-1976 - Escort (OHC) 1100,1300,1600 44 cil 9/1980... - Escort R5 2000 1976-1980 - Escort XR3 1982... - Fiesta (OHC) 1000,1100,1300 4 cil 1976... - Fiesta XR2 1600(OHC) 4/1984... - Granada 1800 1985-1987 - Orion 1300,1600 (CVH) 9/83-8/88 - Scorpio 1800,2000 (OHC) 4/1985... - Sierra 4 cil. OHC 1,3-1,6-1,8-2,0 9/1982... - Taunus 1300,1600,2000 4 cil. 4/70-8/82 - Transit (OHC) 1600,2000 4 cil. 8/1984... FORD (USA): Cortina 2000 1971-8/82 - FORD TURKEY: Taunus 1600,2000 -		3026

FLP	REFERANCCE	TO FIT:	PICTURE	FLP NR.
3026	BC-295 FP 6923 FPM-035 G 6923 GFP 4283N LM-053 POC 520 POC 609 PV 3625 PBS 148 SP152			3026
3027	47127023	SKODA		3027
3028	2587/1 1450.61 1450.67 7.21751.50 8222 91517896 9151.789.680 9151.789.683 96123550 BC-132 PL 3222 PBS 888	CITROEN: C 25 Furgone 1800,2000 (Benzina) 9/1982... FIAT : Ducato Furgone 1800,2000, (Benz.Peugeot) PEUGEOT : 505 (Svezia, Svizzera) XN, XM7 - Furgone J 5 Benzina 9/1982... - Jeep P 4 XN8,X2-12 (Benzina) 9/1982...		3028

FLP	REFERANCFE	TO FIT:	PICTURE	FLP NR.
3029	1986/5 25061429 25066363 3489003 461-83 461-94 5506956 77.00.349.266 77.00.500.194 77.00.696.974 77.01.349.266 7.21746.50 8035 8047 9.06.287.11 BC-109 LI-035 MS-60495-S PL 3047 POC 304 PBS 214 SP130	RENAULT : 9 GTL RENAULT : R 11 1100,1250,1400 1981-7/85 - R11 GTS,TSE 1400 3/1983... - R 11 TC,GTC,Société 1100 3/1983... - R11 TL,GTL Automatica 1400 3/1983... - R19 TR,TRE - R9 1100,1400 1981-7/85 - R9 C,TC,GTC,TCE,L 1100 9/1981... - R9 GTS,TSE,TCE,L,Autom. 1400 9/1981... - R9 TL,GTL,TLE 1400 9/1981... Trafic 1397 CC - Mot. 847.00 x 0.1 1980... RENAULT (Argentina): R9,R11 (Tutti i tipi) 1400	 <p>IN= DIA 6 OUT= DIA 6</p>	3029
3030	1876/5 25066427 3301 461-60 5447891 5463333 5463334 5506903 8300 8301 DV 173 OA PL 3300 PBS 131	CITROEN: C 35 1985 9/73-1977 - D Special,D Super,D Super 5 9/1967/1975 - DS 20 9/73-1975 - DS 23 carburatore 9/1973...		3030
3031	1995/6 1450.17 1450.27 1450.31 1450.32 1450.53 1450.75 25061473 3201 461-56 461-81 5506912 5506971 7.21763.50 91507305-80 BC-135 CZ-056 PL 3221 POC 528 POC 669 PBS 168	PEUGEOT: 204 1.1 1965-1976 - 304,304 S 1100,1300 10/68-1979 - 305 GL,GR,SR,S 1300,1500 12/1977... - 403/8 ...2/1961 - 403/U 12/1960...		3031

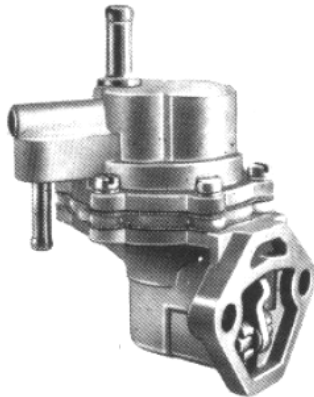
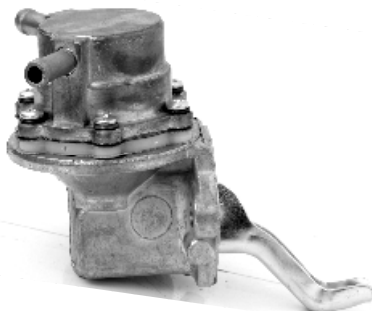
FLP FUEL PUMPS & FEED PUMPS


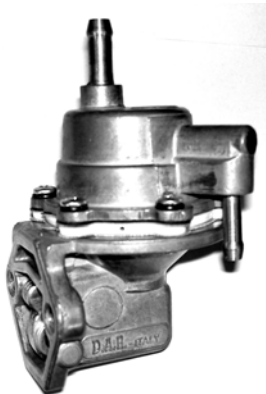
2004

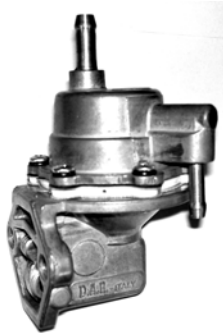

POMPA DI ALIMENTAZIONE - FUEL PUMP - POMPE D'ALIMENTATION - KRAFTSTOFFPUMPE - BOMBA DE ALIMENTACION




FLP	REFERANCFE	TO FIT:	PICTURE	FLP NR.
3032	2110/5 00.039.393.08 4160041 4169041 4169058 4226658 4226821 4235510 4434837 AB-338 POC 058 POC 090 PB 13	FIAT:110 T4,238 E 1200,1400 - 238 B,238 B1 1200,1400		3032
3033	2655 25066609 6 551 959 8622 91SF9350AB	FORD (EUROPA) 1.6 Escort CVH 1400-1600 1991.... Fiesta CVH 1400-1600 1991.... Orion CVH 1400-1600 1991....		3033
3034	2645 6 171 967 8627 87SF9350AA POC 608	FORD (EUROPA) 1.3 Escort GT 1600 3/1987-8/1990 Escort,Orion CVH 1400-1600 1987 Orion 1600 9/1988-1990 Sierra DVH 1600 -		3034

FLP	REFERANCCCE	TO FIT:	PICTURE	FLP NR.
3035	2636 10568 22F09G04 C 6 174 801 8621 89BF9350 AA 89BF9350 AB BC-168 POC 606	FORD (EUROPA): Escort 1100,1300 - Escort OHV-BVM 1100,1300 - Fiesta 1000,1100,1300 9/1988... - Fiesta OHV-BVM 940,1100,1300 - Orion 1100,1300 9/1988... - Orion OHV-BVM 1100,1300		3035
3036	2137/6 25066442 4195148 4236973 4319577 4319578 4323062 4335817 4335818 4391515 4434830 4434833 461-6 4664133 5507940 5957869 5985119 701180 7552705 7617239 7689030 8605 9.06.035.11 9.06.217.11 POC 074 POC 083 PB 9	EL NASR (Egitto) : 128GLS 1/1988... FIAT : 128 (Tutti tipi) 1100,1300 - Fiorino 1300 1988... - Regata (Tutti tipi) 1300,1500 - Ritmo 60L 1100 - Ritmo (Tutti tipi) 1100, 1300,1500 - Uno 1100,1300,1500 FIAT (Argentina) 128 1116,1300 INNOCENTI: Koral 55-65A GLX LANCIA : Delta (Tutti tipi) 1300,1500 - Prisma (Tutti tipi) 1300,1500 YUGO : 101,128 1116 - 311,511 1100 1983-1990 - 313,513 1300 1981-1990 - Koral 55 1116 7/1990... - Skala 128,101 - Tempo 110,1300 1991-1993 - Yugo55-A(America 1116 - Yugo65A 1300 1988-1991		3036

FLP	REFERANCCCE	TO FIT:	PICTURE	FLP NR.
3037	2138/5 25066443 3600 4216142 4235618 4242852 4262334 4262553 4265958 4304630 4320185 4320330 4325618 4335865 4342565 4342566 4362269 4400568 4426211 4434832 461-2 5983935 701181 7564841 7.21753.50 8600 9.06.214.11 AB-370 BC-107 POC 021 POC 027 POC 069 PB 6	AUTOBIANCI:A 112 R77,R79,R82 - 1972-1984 FIAT: 127,Fiorino 900 - Panda 45,4x4 900,965 1979-1991 INNOCENTI : Koral 45 903 SEAT : 127 900 - Fura,Ibiza 903 - Panda 903 YUGO : Koral 45 903 - Yugo 45-A (America) 900		3037
3038	2161/5 25066452 4305491 4379257 4410620 4221193 4434839 4446334 461-353 5951673 7564244 82332211 8613 9.06.145.11 9.06.147.11 AB-466 BC-137 BC-246 BC-247 POC 082 POC 088	FIAT : 124 USA Coupe-Spyder 2000 1979... 131 Abarth Rally 131 Racing 131 Supermirafiori 1365-1600-2000 4/1981.. 131 USA Superbrava 2000 1979.. 132 2000 1977-1982 Argenta 1600-2000 1982-1986 Ritmo 130 TC 2000 1984-1987 LANCIA: Beta 2000 Coupe 2000 Beta Trevi 1600 Eng.385582 Beta Trevi 2000 HPE, Montecalo 2000 Prisma LX 1600 1983-1988 SEAT : 131 Diplomatic 1600-2000 132 (Carb.) 2000 1977-1982		3038

FLP	REFERANCC	TO FIT:	PICTURE	FLPNR.
3039	2151/5 3957755 25066447 4171616 4226958 4235651 4251447 4266037 4297956 4362741 4376770 4382283 4395751 4413008 4434836 4434841 4434842 461-9 5507934 90604011 90604411 90610811 AB310 AB339 BC239 GE02000002 POC032 POC059 PB 17	FIAT : 124 Special T Sport 1500-1600 1973-1976 124 USA Coupe Spyder 1800 125 1600-1800 131 Brava USA 1800 1977-1978 131 Supermirafiori 1300t TC-1600 TC ..3/1981 132 1600-1800 ..3/1981 MORGAN: 4x4 1600 ENG.FIAT 1585 cc 1982-1985 SEAT : 124 Sport 1600-1800 1972-1976 131 1600 132 1600-1800		3039
3040	2173/5 4045975 4048510 4048511 4055600 4055920 4059510 4065585 4067110 4073564 4080389 4080390 4080391 4081391 4087352 4091765 4099844 4119389 4119952 4126886 4133166 4139122 4434844 4447943 4447944 4447945 5951864 719386 7564842	FIAT 1300, 1500, 1800, 2300 - UNO 45 (tutti i tipi) 900 1982-1991 UNO R89 Sting 900 - FSO (POLAND) 125 kOMBi 1300-1500 ..12/1975 Polenez Alize, Amplia Prima 1500 Polenez Mistral, Prima 1600 Polenez Prima 1300 YUGO Furgone F. 1300		3040
	PB 21 90618611 BC-296 POC 077 POC 111			

FLP	REFERANCCCE	TO FIT:	PICTURE	FLPNR.
3041	2154/5 8451 AB-341 BC-133 4340115 PB 60	SEAT 133		3041
3042	1925/6 1450.34 1450.32 1450.55 25061451 25061461 25066484 461-43 461-88 5506935 77.00.704.262 77.01.348.117 77.00.349.400 77.01.365.509 7910011274 7910012490 7910012506 7910014057 79.10.012.490 7.21749.50 91507061 91539941	<p>CITROEN : BX 14 1360, 1400 ...10/1988 BX 16 1/1984... C 15 1124, 1400 7/84/9/88 LN, E, RE 1100 4 cyl. 9/1982... Visa Super GT ...10/1988 Visa 1100, 1400 10/1978...</p> <p>PEUGEOT : 104 10/1972... 205 GL, GR, SR, S 3/83-1988</p> <p>RENAULT : R14 L, TL, TS, GTL R1210, R1211, R1212 6/76-83 TALBOT : Samba 11/1981..</p> <p>PBS 166 BC 103 CZ-054 POC 099</p>		3042
3043	2553/6 1450.57 1450.96 25061480 3219 461-355 7.21762.50 8219 8228 8229 91518057 91536319-80 93151495 95518057 96059584 BC-101 POC 637 PV 3219 PBS 243	<p>CITROEN : BX 15, 16, 19 RS, TRS XU5 1/84-1992 BX 19 GT XU 1905 7/84-7/85 XM 21 XU 1989-1992 ZX 1587 1991-1993</p> <p>PEUGEOT : 205 XU5 1989-1992 305 GT 1905 1/1984.... 305 GT Automatic XU 1600 1/84-7/85 305 GTX 1905 9/84-85 305 S, GT XU, XU5 2/1984... 309 GR, SR (XU51C) 1580-1900 9/1985... 405 1580, 1905 5/1987... 605 XU-2.0 Lit. 1989-1992</p>		3043


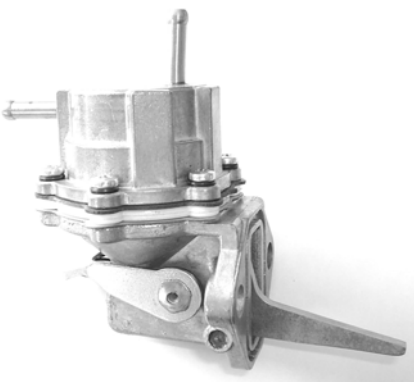
FLP	REFERANCCCE	TO FIT:	PICTURE	FLP NR.
3044	1954/7 059127025A 059127025B 72001450 72099850 POC 503	AUDI 100 1800,1900 /80/115 PS) 12/68-7/76 60 1500 (60 PS) 9/71-7/72 75 1700 (75 PS) 11/68-7/72 90 1800 (90 PS) 12/55-8/71 F72 1700 (72 PS) 3/65-1/69		3044
3045	1867/7 046127025. 72027450 72099851 90680211 BC197	AUDI 100 2000 (115 PS) 8/76-4/78		3045
3046	1868/7 036127025. 052 127 025. 052 127 025 B 052 127 025 C 052 127 025 D 052 127 025 E 052 127 025 F 052 127 025 H 056 127 025 E 056 127 025 H 25061472 25066365 3509 461-78 5506970 71556950 72013550 72016050 72037250 72044750 72066450	AUDI 50 1100, 1300, (50-60 PS) 9/74-7/77 60 1500 (55 PS) 2/68-8/71 80 801, 1300 (55 PS) 1/78-9/81 WOLKSWAGEN Derby 900,1100,1300 (40-60 PS) 3/77-9/81 Derby C-CL-GL 1050,1100,1300 (40-60 PS) 10/81-8/83 Golf 1100,1300 (50-60 PS) 5/74-9/81 Golf C-CL-GL 1100,1300 (50-60 PS) 10/81-8/83 Jetta 1300 (60 PS) 9/79-9/81 Jetta C-CL-GL 1100,1300 (50-60 PS) 10/81-8/83 Passat 801,1300 (55 PS) 3/78-9/81 Passat C-CL-GL 1300 (55 PS) 10/81-8/83 Polo 900,1100,1300 (40-50-60PS) 3/75-9/81 Polo Coupe 801-1300 (55 PS) 9/1983... Polo Coupe GT 1300 (75 PS) 9/1982... Polo C-CL-GL 1050,1300 (40-60 PS) 10/81-8/83 Santana 1300 (FY-FZ) 1981-1984 Scirocco 1100,1300 (50-60 PS) 4/74-9/82		3046

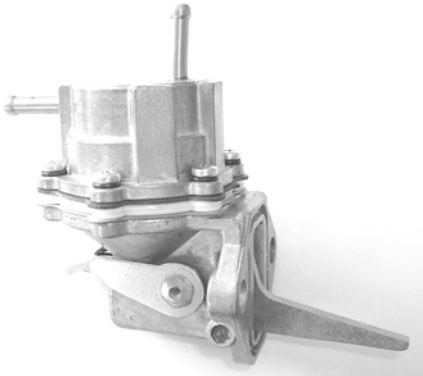

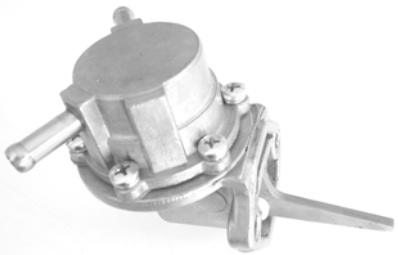
EĞRİ FLANŞ


EĞRİ FLANŞ

EĞRİ FLANŞ

FLP	REFERANÇE	TO FIT:	PICTURE	FLP NR.
3046	72067950 72080550 72080551 72084551 8509 90630311 AB-599 BC-152 PL 3509 POC 306			3046
				EĞRİ FLANŞ
3047	2593/1 030127025. 720884.53 8508 POC 680	BARKAS Barkas 100 1300cc-VAG ...1991 TRABANT Trabant 1100 VAG Type 111 1989... WOLKSWAGEN Derby C-CL-GL 111 1300 (55 PS) 8/1985... Golf C-CL-GL 111 1300 (55 PS) 8/1985... Jetta C-CL-GL 111 1300 (55 PS) 8/1985... Polo Coupe 111 1300 (55 PS) 8/1985... Polo C-CL-Fax 111 1300 (55 PS) 7/1985... Scirocco Type 53 1300cc 1983-1987 WARTBURG Wartburg 4 Takter 1300-111 VAG 1989...		3047
				DÜZ DİK MİL
3048	2550/7 052127025G 052127025J 72091651 72091652 72150050 8511 POC 658	WOLKSWAGEN Derby C-CL-GL 801,1300 (55PS) 9/1983.... Golf C-CL-GL 801,1300 (55PS) 9/83-7/85 Jetta C-CL-GL 801,1300 (55PS) 9/83-7/85 Passat C-CL-GL 1300 (55PS) 9/1983... Polo 1050 1981-6/85 Polo Coupe 801,1300 (55PS) ...10/1983 Polo Coupe GT 1300 (75PS) ...10/1982 Polo C-CL-GL 801,1300 (55PS) 9/83-6/85 Santana C-CL-GL 1300 (55PS) 9/1983... Scirocco 1100,1300 (50-60PS) 10/1982...		3048
				EĞRİ FLANŞ

FLP	REFERANCCCE	TO FIT:	PICTURE	FLPNR.	
3049	2548/6 25061430 25066369 3489005 3736 461-95 77.00.723.168 77.00.733.545 7.21776.50 BC-214 PV 3736 PV 8736	RENAULT Baccara R11 GTX, TXE 1700 R19 GTX, TXE 1700 R21 GTS 1700 R21 GTS, TS, TSE Nevada - R9 GTX, TXE 1700 Supercinque GTR, Spring B - Trafic T1000B - RENAULT R9, R11, R18 1600 (Argentina) RENAULT R11 FLASH 1700	9/1988... 3/1983... 9/1988... ... 1986... 3/1984... 9/1988... 9/1988...		3049
3050	1787/5 021 127 025 056 121 025 1 056 127 025 056 127 025 2 056 127 025 3 056 127 025 4 056 127 025 A 056 127 025 B 056 127 025 C 25066360 3500 461-77 60442 60446 7 10061 50 7 20035 00 7 20061 50 7 20068 50 7 20400 50 7 20663 50 7 20802 50 7 20802 51 7 20802 52 7 20803 50 7 20803 53 8500 90630211 BC 153 POC 501	AUDI 100 Avant 1800 (75PS) 9/82-12/84 100 C,CL,CS,GL 1600 8/81-8/86 80 1600 (100PS) 10/73-7/75 80 827 1,3/1,5/1,6 (55/85PS) 8/72-9/81 80 Coupe GLS 1800 (90PS) 8/82-10/84 80 C,CL,GL Coupe 1300,1600 (60/85PS) 10/81-1/85 80,100 1500,1600 12/72-3/79 Coupe 1800 (75/90PS) 10/80-8/84 FORD Belina,Del Rey,Pampa 1800 ...1/1991 (Brasile) Escort Ghia,XR-3,Verona 1800 ...1/1991 WOLKSWAGEN Caddy 1500,1600 1982... Golf 1500,1600 (70/75PS) 4/74-9/81 Golf C,CL,GL 1500,1600 (70/85PS) 10/81-6/83 Golf S,SL,GLS Syncro 1600,1800 (72/90PS) 7/83... Jetta 1500 (70 PS) 9/79-9/81 Jetta C,CL,GL 1500,1600 (70/85PS) 10/81-8/83 Jetta S,SL,GLS Stncro 1600,1800 (72/90PS) 7/83-11/84 Passat C,CL,GL 1600 (75/85 PS) 10/80-9/84 Passat Syncro 1800 (87/90 PS) 8/82-10/84 Santana C,CL,GL 1600,1800 (75/90PS) 9/83-10/84	IN DIA 6, OUT DIA 6		3050

FLP	REFERANCC	TO FIT:	PICTURE	FLPNR.																																																																																												
3051	2637 026 127 025 026 127 025 A 7 20803 51 8503 POC 600	<table border="0"> <tr> <td>AUDI</td> <td>100 Avant CC,CS,CD</td> <td>1800 (75/90PS)</td> <td>1/85-8/86</td> </tr> <tr> <td></td> <td>100 C,CL,CS,GL</td> <td>1600 (85 PS)</td> <td>971986..</td> </tr> <tr> <td></td> <td>80 C,CL,GL Coupe</td> <td>1300,1600 (60/85 PS)</td> <td>2/85-8/86</td> </tr> <tr> <td></td> <td>80 GLS</td> <td>1800 (90 PS)</td> <td>8/82-8/86</td> </tr> <tr> <td></td> <td>Coupe</td> <td>1800 (90 PS)</td> <td>9/84-8/86</td> </tr> <tr> <td>FORD</td> <td>Belina,Del Rey,Pampa</td> <td>1800</td> <td>...2/1991</td> </tr> <tr> <td>(Brasile)</td> <td>Escort Ghia,XR-3,Verona</td> <td>1800</td> <td>...2/1991</td> </tr> <tr> <td></td> <td>Pampa</td> <td>AP 1600</td> <td>1993...</td> </tr> <tr> <td></td> <td>Royale</td> <td>all type 1800, 2000</td> <td></td> </tr> <tr> <td></td> <td>Versailles</td> <td>all type 1800, 2000</td> <td></td> </tr> <tr> <td>SEAT</td> <td>Toledo</td> <td>1600</td> <td>1991...</td> </tr> <tr> <td colspan="4">WOLKSVAGEN</td> </tr> <tr> <td></td> <td>Caddy</td> <td>1500,1600</td> <td>1982...</td> </tr> <tr> <td></td> <td>Golf S,SL,GLS Syncro</td> <td>1600,1800 (72/90 PS)</td> <td>11/84...</td> </tr> <tr> <td></td> <td>Jetta S,SL,GLS Syncro</td> <td>1800 (82/90 PS)</td> <td>11/84...</td> </tr> <tr> <td></td> <td>Passat C,CL,GL</td> <td>1600,1800 (75/90 PS)</td> <td>11/84...</td> </tr> <tr> <td></td> <td>Santana C,CL,GL</td> <td>1600,1800 (75/90 PS)</td> <td>11/84..</td> </tr> <tr> <td></td> <td>Sciocco</td> <td>1600,1800 (75/90 PS)</td> <td>11/84..</td> </tr> <tr> <td colspan="4">WOLKSWAGEN</td> </tr> <tr> <td>(Brasil)</td> <td>Apollo,Gol, Prati</td> <td>1800</td> <td>2/1991...</td> </tr> <tr> <td></td> <td>Gol,Savairo,Prati,Voyage</td> <td>AP 16</td> <td>1993...</td> </tr> <tr> <td></td> <td>Santana,Quantum,Logus</td> <td>1800,2000</td> <td>2/1992...</td> </tr> <tr> <td></td> <td>Vovane Saverio</td> <td>1800</td> <td>2/1991</td> </tr> </table>	AUDI	100 Avant CC,CS,CD	1800 (75/90PS)	1/85-8/86		100 C,CL,CS,GL	1600 (85 PS)	971986..		80 C,CL,GL Coupe	1300,1600 (60/85 PS)	2/85-8/86		80 GLS	1800 (90 PS)	8/82-8/86		Coupe	1800 (90 PS)	9/84-8/86	FORD	Belina,Del Rey,Pampa	1800	...2/1991	(Brasile)	Escort Ghia,XR-3,Verona	1800	...2/1991		Pampa	AP 1600	1993...		Royale	all type 1800, 2000			Versailles	all type 1800, 2000		SEAT	Toledo	1600	1991...	WOLKSVAGEN					Caddy	1500,1600	1982...		Golf S,SL,GLS Syncro	1600,1800 (72/90 PS)	11/84...		Jetta S,SL,GLS Syncro	1800 (82/90 PS)	11/84...		Passat C,CL,GL	1600,1800 (75/90 PS)	11/84...		Santana C,CL,GL	1600,1800 (75/90 PS)	11/84..		Sciocco	1600,1800 (75/90 PS)	11/84..	WOLKSWAGEN				(Brasil)	Apollo,Gol, Prati	1800	2/1991...		Gol,Savairo,Prati,Voyage	AP 16	1993...		Santana,Quantum,Logus	1800,2000	2/1992...		Vovane Saverio	1800	2/1991	 <p>IN DIA 8, OUT DIA 6</p>	3051
AUDI	100 Avant CC,CS,CD	1800 (75/90PS)	1/85-8/86																																																																																													
	100 C,CL,CS,GL	1600 (85 PS)	971986..																																																																																													
	80 C,CL,GL Coupe	1300,1600 (60/85 PS)	2/85-8/86																																																																																													
	80 GLS	1800 (90 PS)	8/82-8/86																																																																																													
	Coupe	1800 (90 PS)	9/84-8/86																																																																																													
FORD	Belina,Del Rey,Pampa	1800	...2/1991																																																																																													
(Brasile)	Escort Ghia,XR-3,Verona	1800	...2/1991																																																																																													
	Pampa	AP 1600	1993...																																																																																													
	Royale	all type 1800, 2000																																																																																														
	Versailles	all type 1800, 2000																																																																																														
SEAT	Toledo	1600	1991...																																																																																													
WOLKSVAGEN																																																																																																
	Caddy	1500,1600	1982...																																																																																													
	Golf S,SL,GLS Syncro	1600,1800 (72/90 PS)	11/84...																																																																																													
	Jetta S,SL,GLS Syncro	1800 (82/90 PS)	11/84...																																																																																													
	Passat C,CL,GL	1600,1800 (75/90 PS)	11/84...																																																																																													
	Santana C,CL,GL	1600,1800 (75/90 PS)	11/84..																																																																																													
	Sciocco	1600,1800 (75/90 PS)	11/84..																																																																																													
WOLKSWAGEN																																																																																																
(Brasil)	Apollo,Gol, Prati	1800	2/1991...																																																																																													
	Gol,Savairo,Prati,Voyage	AP 16	1993...																																																																																													
	Santana,Quantum,Logus	1800,2000	2/1992...																																																																																													
	Vovane Saverio	1800	2/1991																																																																																													
3052		SUZUKI-SAMURAI (SJ 413 - G13 alx Eng.)		3052																																																																																												
3053	1924/5 1116185 1306877 1317435 1336185 13361852 3411 463348 7.20066.00 7.20453.50 7.20799.50 8401 9.06.812.11 BC 209 PL 3401 POC 545	<table border="0"> <tr> <td>VOLVO</td> <td>740</td> <td>2000-3000</td> </tr> <tr> <td></td> <td>1984-1990</td> <td></td> </tr> <tr> <td></td> <td>240</td> <td>2000-2100-2300</td> </tr> <tr> <td></td> <td>1974-1991</td> <td></td> </tr> <tr> <td></td> <td>242,244,245</td> <td>B 21 A</td> </tr> <tr> <td></td> <td>9/1974...</td> <td></td> </tr> <tr> <td></td> <td>340</td> <td>2000</td> </tr> <tr> <td></td> <td>1980-1984</td> <td></td> </tr> <tr> <td></td> <td>345</td> <td>2000</td> </tr> <tr> <td></td> <td>1985-1989</td> <td></td> </tr> <tr> <td></td> <td>360</td> <td>2000</td> </tr> <tr> <td></td> <td>1980-1985</td> <td></td> </tr> </table>	VOLVO	740	2000-3000		1984-1990			240	2000-2100-2300		1974-1991			242,244,245	B 21 A		9/1974...			340	2000		1980-1984			345	2000		1985-1989			360	2000		1980-1985			3053																																																								
VOLVO	740	2000-3000																																																																																														
	1984-1990																																																																																															
	240	2000-2100-2300																																																																																														
	1974-1991																																																																																															
	242,244,245	B 21 A																																																																																														
	9/1974...																																																																																															
	340	2000																																																																																														
	1980-1984																																																																																															
	345	2000																																																																																														
	1985-1989																																																																																															
	360	2000																																																																																														
	1980-1985																																																																																															


FLP	REFERANCCCE	TO FIT:				PICTURE	FLPNR.
3054	1944/7 125 5306.2 1250 306 1255 306 1257 306 1265 193 1331 1255 306 1331 1265 193 25061582 461-280 7990400 7.15615.50 7.20498.50 7.20876.50 8802 9.06.817.11 9.06.819.11 poc 510	BMW 8/80 8/80 8/77 7/74-8/80 9/72-8/77	316 318,318 AT 320 518 520,520 AT	1600,1800 (90PS) 1800 (98PS) 2000 4 Cyl. (109 PS) 1800 (90 PS), 2000 2000 4 Cyl. (115 PS)	8/75 8/75 8/75 8/75		3054
3055	1945/7 125 7784.2 125 7784 126 1622.2 126 5192 132 5064.9 132 5235.9 1331 1257 784 1331 1261 622 1331 1265 192 1331 1325 064 1331 1325 235 7.15560.50 7.15581.00 7.15585.00 7.20057.50 7.20217.50 7.20217.51 7.20498.51 7.20876.51 8800 9.06.814.11 POC 509	BMW 7/77 7/75 7/75 7/75 4/1972... 1/1968...	1502 1602 1802 2002 2002 AT (USA) Marino	1600 (75 PS) 1600 (85 PS) 1800 (90 PS) 2000 (100 PS) 2000 (100 PS) 2000 (100 ps)	1/75- 8/73- 8/74- 10/73		3055
3056	1972/7 127 2406 128 0956.2 128 0956 1331 1272 406 1331 1280 956 7.20397.50 7.20498.52 7.20807.50 8805	BMW 9/1977... 9/77-7/81	320, 320 AT 520, 520 AT	2000 6 Cyl. (122 PS) 2000 6 Cyl. (122 PS)			3056

FLP	REFERANCFE	TO FIT:			PICTURE	FLPNR.
3057	2628/1 127 6550.2 124 742 1274 742.2 1276 550 1331 1274 742 1331 1276 550 7.20756.50 7.20785.50 7.20808.50 7.20809.50 8801 8803 POC 602	BMW 1980-1983 9/80-6/83 8/80-6/83	315 316 518,518 AT	1600 1600,1800 (90 PS) 1800 (98 PS)		3057
3058	2633/1 128 7333.2 128 7333 1331 1287 333 7.20807.51 8804	BMW 7/1983... 7/1983...	316 518 + AT	1600,1800 (90 PS) 1800 (98 PS)		3058

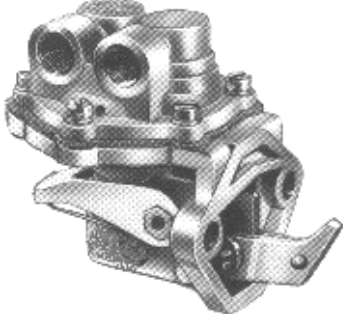

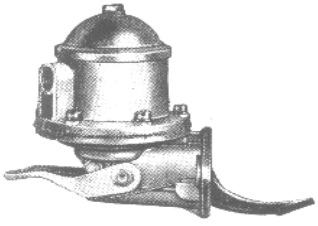
FLP FUEL PUMPS & FEED PUMPS


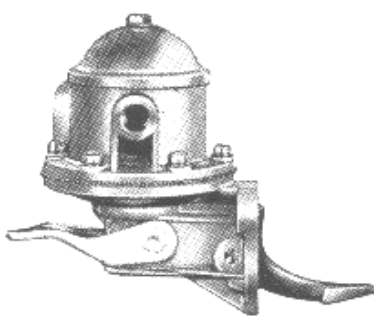

2004

POMPA DI ALIMENTAZIONE - FUEL PUMP - POMPE D'ALIMENTATION - KRAFTSTOFFPUMPE - BOMBA DE ALIMENTACION

FLP	REFERANCFE	TO FIT:	PICTURE	FLPNR.
4000	1662/7 2100087 2134511 2239550 4150197 4157603 4167698 4231021 4230566 7.15252.01 7.15252.50 7.15252.51 7.15252.52 KZ 0150-17 PON 120 UC 0150-17 SP050	KHD (DEUTZ) :Indusriale B/F3,4,5,6 L 912/913W/T 1964... - Industriale F2L 912 3/1984... - Industriale F3L 812 D,F3L 912/912 W 1964... - Industriale F3L 913 - Industriale F4L 812 D,F4L 912/912 W 1964... - Industriale F5L 912/912 W,912 D 1964... - Industriale F6L 812 D,F6L 912/W 1964... VM : Industriale 104,106,954,956 SU - Industriale 1056,T1056SU 6105 - Industriale T6105 SUN		4000

FLP	REFERANCCCE	TO FIT:	PICTURE	FLPNR.
4001	1855/6 25061522 25066376 25066377 2641308 461-109 461-169 502E9350 590E9350 7950065 7950188 7950426 7971051 A24796 AE-006/1 AK-106 FP109 PAD 1115 SP023 SP072	DALE ELECTRIC : Generatore elettrico Perkins D3.152 1968... FORD : Industriale 4Cil.P4250/51,P4347/48 - Industriale 4 Cil. Simms P4145/78, - Industriale 6 Cil. Simms P4316,P4354 - Industriale 6 cil. Simms P4353 80 HP HUNSLET : Trattore Perkins D3.152 HYDROVANE : Compressore 85GT,CFM Perkins D3.152 LANSING BAGNALL : FLT Perkins D3.152 MASSEY FERGUSON : Tr. 122 Perkins 3.152 PERKINS : Industriale D3.152 TOWMOTOR : 560P FLT Perkins D3.152 THAMES TRADER E.M.		4001
4002	1858 25061584 25066386 2641338 2641478 3726067 461-283 461-284 5082037 7480325 7971135 7990439 7990440 910574 1447381 3637287 PAD 1209 SP078 SP079	ARBOS : Applic. diverse Perkins 4.236 AVELING BARFORD : GN TR3 GD/PTR Perkins 4.236 AVTOEXPORT: gaz 53 Truck Perkins 4.236 BERLIET : 550K Truck Perkins 4.236 BRISTOL: Compressore Perkins 4.236 BROOME & WADE : Compressore CA2/3 CLARK: DC70 Perkins 4.236 CONSOLIDATED PNEUMATIC:Compressore 125-RO-1 Perkins 4.236 CONVEYANCER : TC Serie 7 Perkins 4.236 DAF: FA 500,FA 700 Perkins 4.236 DRONNINGBORG : Applic. diverse Perkins 4.236 EPPLE BUXBAUM : Applic. diverse Perkins 4.236 HOBART Gener. Elet. 400 Amp. Perkins 4.236 HYSTER: Fork Truck H1100/150F Perkins 4.236 INGERSOLL : DR125/140/150 Perkins 4.236 JOHNSTON BROS: Applic. diverse Perkins 4.236 JONES CRANER : 04 Mobile Crane Perkins 4.236 LANDINI : Tr.8000 Perkins 4.248 LAVERDA: Combine Perkins 4.236 MASSEY FERGUSON : MF 11 Perkins 4.248 - MF 165 Combine Perkins 4.212 - MF 186 Combine Perkins 4.212 - MF 487 Combine Perkins 4.248 - MF 50 Phase II Skid Perkins 4.212 - Maccina Agricola MF 33 Perkins 4.248 - Tr. 168,MF175/175S,175/178 Perkins 4.236 - Tr. Industr. MF 30/50 Perkins 4.212 - Tr. MF 178,185,188 Perkins 4.248...248UA71960 - Tr. MF 300 Perkins 4.248 PERKINS : Industriale 4.212,4.236,4.248 ROSSI: Maccine Agricole Perkins 4.236 TALBOT: Walk Thru 50 Perkins 4.236 VOLVO : Truck F82,F83 Perkins 4.236 THAMES TRADER Y.M.		4002


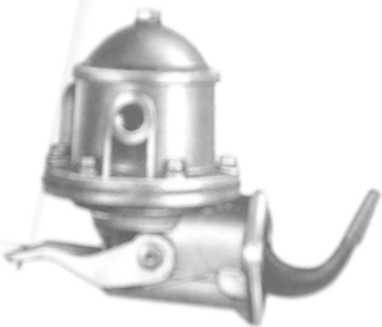

FLP	REFERANCFE	TO FIT:	PICTURE	FLPNR.
4003	1647/1 25061501 25066421 2641A077 35275 461-110 7950308 7950427 9200154 957E9350 V 994093 A24797A AK-007 AK-007/1 FP110 PAD 1010 ULPK0031	ALLIS-CHALMERS (USA) : B272,D272 Tractor Perkins P3.144TA - Combine Perkins P3.144 BEDFORD : B7B,B10,200 & 220 Diesel 1965-1967 - TJ,TK (E) 200 & 220 Diesel 45775 - TL220 Diesel 1980... CAV : Industriale Perkins P3.144 1961... INTERNATIONAL HARVESTER : B 275 Tractor Perkins 3B/152 - BC 264 Benzina MASSEY FERGUSON : Tr. & Combines TE20 Perkins 3.144 PERKINS : Industriale F3 con Simms P4442,P4588 - Industriale F3 con Simms P4696 - P/3 Simms P4609 (Spagna) - Industriale (Diversi) P3,P3/144,P3/144TA,3B/152 BEDFORD 3.5 TON		4003
4004	1949/5 4673618 4709284 4740719 4802839 9.06.162.11 POC 102 PON 109 SP104	AIFO : Industriale 8051.05.200 FIAT-HITACHI : Industriale 8055.05.200,8065.05.200 - Industriale 8055.25.200 (5 Cil.) - Industriale 8061.05.200(6 Cil.) - Industriale 8065.06.200 - Industriale 8065.25.200 Turbodiesel - Industriale Tr. 666,670,680,780,855 6 Cil. FIAT-OM CARRELLI ELEVATORI : DI130 5 & 6 Cil. 1979... IVECO : Autocarro 40,50/8,40/35 1979... - Autocarro 40/35AB,40A/B Autocarro 50A/B/C,55A/B - Autocarro 50NC/A,50NC/B 1979... - Autocarro 50NC/C 1979... - 50/10,55/10,55NC 1979... - Autocarro 50/8,55/8,65/10 - Autocarro - 55NC/A,55NC/B 1979... - Autocarro 55NC/C 1979... - Autocarro 616 N3/4 1979... - Autocarro 65 A/B/C, 70 A/B - Autocarro 70/10,75/10 - Industriale D8041.05.260 - Industriale D.8045.25.382 - Industriale D.8051.05.200 - Industriale D.8055.05.200/205/250 - Industriale D.8055.25.210 - Industriale D.8060.05.245/246/270/271 - Industriale D.8061.05.260/300 - Industriale D.8062.05.270 - Industriale D.8065.05.220/289/290 - Industriale D.8065.05.295/297/300/320 - Industriale D.8065.06.200/300 Veicolo A90.14 P,A70.14 P		4004
4005	1549/1 25061518 25066392 461/159 7950500 7971020 816038 91145758 A4021132 A4021133 AO-045 FP159 PON 113 PAD 1023 SP021	BEDFORD : C Truck,M Truck Diesel 330 1970... - P Autotelaio 300 & 330 - R Truck Diesel 54222... - TJ Truck CO Serie 300 Diesel 160220... - TJ Truck CO Serie 330 Diesel 160325 1967... - TK Truck EOM,N,Q,R,T,V,HRX3 Diesel 330 1967... - TL Diesel 330 1980... - VA Autotelio Diesel 300,330 BEDFORD 7.5 TON		4005

FLP	REFERANCCCE	TO FIT:	PICTURE	FLPNR.
4006	1686 25061578 25066381 461-276 683F9350 AA 683F9350 AB 7971160 7990361 AO-047/1 FP276 PAD 1208 SP011	COLES CRANES : Hydra 6-10 Ton Cranes Ford 2713E ...10/1973 FORD : Industriale D/N Diesel 4200,6000,6200 - Industriale D/N Diesel DA10,DA21,DT17/20 FORD (EUROPA) : 2700 Serie 254,380 1965-1973 - 2715 E 6 Cil.135 HP - D 1000 Serie 360 4,2-6,0-6,0 Turbodiesel 1965-1980 - D Serie 6,2 Diesel 1965-1980 - D-K Diesel 1965... - R Serie 360 & 380 1965... FORD D-1210		4006
4007 SP035	1535/2 13H3374 13H3375 25061494 25066393 461-170 461-171 7950300 7950773 7971072 7971073 808137 808313 FP170 IC-013 IC-014 PON 115 PAD 1031 SP016 SP148	LEYLAND-ROVER : 255,262,270,272 4/98 DT,NT - 344 3,4 TD - Boxer BX 1000 5,1 Lit. V. Diesel ...1972 - Boxer BX 1000,1160,1200, 1300 5,7 Lit. V. Diesel ...1972 - Boxer BX 1200,1300,16TA,16TF 6/98 Diesel 1973... - Boxer BX 984,1000,1160 6/98 Diesel 1973... - Boxer DV/NV 6/98 Diesel 1973... - Bus Viking FF 1100 6/98 Diesel 1974... - FG 350,360,550,700 3,8 Lit. Diesel 1970... - FG 350,360,550,700 4/98 Diesel 1973... - FG 900 5,1 & 5,7 Lit. V. Diesel 1970-1972 - Fg 900 6/98 Diesel 1973... - FGK100 5,1 & 5,7 Lit. V. Diesel ...1970 - FM 420 3,8 Lit. Diesel - Skidded Units 4/98 NT - Terrier 360,420,600 4/98 Diesel 1973... - Terrier 650 Tr.,750 Tr. 3,8 Lit. Diesel 1971-1972 - Terrier 650,750,850,950 5,1 Lit. 1973-8/83 - Terrier 830,900 WF 4/98 Diesel 1973... - Terrier 950 Tr. 5,7 Lit. V. Diesel 1971-1973 - Tr. 384 Nuffield 4/65 3,8 T,TA,TD - Tr. Nuffield 2100,4100 - 6/98DT,NT - Tr. Nuffield 285,485 6/98 DT,NT - WF 360,420,600,830,900 3,8 Lit. Diesel 1970... - WF 830,900,1025 5,1 Lit. V. Diesel 1970... - WF 830,900,1025,1160 5,7 Lit. V. Diesel 1970-1972 - WFK 100,120,140 5,1 & 5,7 Lit. V. Diesel ...1970 - WGK,WFK 30,40,60,80 3,8 Lit. Diesel 1965-1970 NUFFIELD : Tractor 3/45,4/65 1968... BMC TM 140		4007
4008 SP043	1687/1 0504263 25061495 25066409 2641372 2641374 2641375 2641377 34167 3679325 461-131 461-132 461-135 5043611 6637508 781113 6637508 781113 7950598 7950730	ACMAT : Applic. diverse Perkins 6.354 ALLIS_CHALMERS (USA) : 4000 Applic. diverse Perkins 6.288,6.305 1965... - Tr. TL545 Perkins 6.354 ARBOS : Applic. diverse Perkins 6.354 ATKINSON : L 1 266 PT Perkins 6.354 AVELING BARFORD : Dump Truck RD017 Leyland 680,690 11/1973... - Tr. AM100A Perkins 6.354 BOLINDER MUNKTELL : S950 Perkins 6.354 1965-1970 BRAUD 505 Perkins 6.354,T6.354.1 BROOME & WADE : Compresore CR/CV 250 Perkins 6.354 BROYT : Escavatore Perkins 6.354 CATERPILLAR : V160/300 Perkins 6.354 CLARK : Fork Trucktor Perkins 6.354 1966... - Tractor 45B Perkins 6.354 DENNIS : Dart Perkins 6.354 DOUGLAS : Tractive Units NS8/250 Leyland 680,690 - Tugmaster Perkins 6.354 DODGE AS 600		4008

FLP FUEL PUMPS & FEED PUMPS

2004

POMPA DI ALIMENTAZIONE - FUEL PUMP - POMPE D'ALIMENTATION - KRAFTSTOFFPUMPE - BOMBA DE ALIMENTACION



FLP	REFERANCCCE	TO FIT:	PICTURE	FLPNR.
4008 SP017	7950764 7950765 7950766 7950768 AJR 2609 AK-096 D34265 FP133 PON 112 ULPK0007 2641A064 33637309M91 PAD 1012 461-133	DRONNINGBORG : D1600 Perkins 6.354 HEATHFIELD : Dump Truck H20 Leyland 690 HYDROMAC : Escavatore 580 Perkins 6.354 HYSTER : Fork Truck H150,H250 Perkins 6.354,6.354.1 - Fork Truck HB100,H100C,RC150 Perkins 6.305.1 - M300 Perkins 6.354,6.34.1 IHC : C1600,C1800 Perkins 6.354		4008
4009	1877/1 25061525 25066394 281756 461-176 62H557 7971139 807787 FP176 IC-005 PAD 1018 SP018	AUSTIN-MORRIS : Taxi Diesel 1500 e 1800 1966... BUHRER : TR2200K,TR2500K Leyland 1,5 Lit. Diesel LEYLAND-ROVER : FX-4 taxi 1,5-1,8 Lit. Diesel 1966... - Furgone JU 250,J2,J4 180 Diesel 1968-1974 - Furgone Sherpa 185,215,240 1,8 Lit. diesel 1967-1978 BMC TM 30		4009
4010	1949/5 4673618 4709284 4740719 4757884 4802839 9.06.162.11 POC 102 PON 109 SP087	AIFO : Industriale 8051.05.200 FIAT-HITACHI : Industriale 8055.05.200,8065.05.200 - Industriale 8055.25.200 (5 Cil.) - Industriale 8061.05.200(6 Cil.) - Industriale 8065.06.200 - Industriale 8065.25.200 Turbodiesel - Industriale Tr. 666,670,680,780,855 6 Cil. FIAT-OM CARRELLI ELEVATORI : DI130 5 & 6 Cil. 1979... IVECO : Autocarro 40,50/8,40/35 1979... - Autocarro 40/35AB,40A/B Autocarro 50A/B/C,55A/B - Autocarro 50NC/A,50NC/B 1979... - Autocarro 50NC/C 1979... - 50/10,55/10,55NC 1979... - Autocarro 50/8,55/8,65/10 - Autocarro - 55NC/A,55NC/B 1979... - Autocarro 55NC/C 1979... - Autocarro 616 N3/4 1979... - Autocarro 65 A/B/C, 70 A/B - Autocarro 70/10,75/10 - Industriale D8041.05.260 - Industriale D.8045.25.382 - Industriale D.8051.05.200 - Industriale D.8055.05.200/205/250 - Industriale D.8055.25.210 - Industriale D.8060.05.245/246/270/271 - Industriale D.8061.05.260/300 - Industriale D.8062.05.270 - Industriale D.8065.05.220/289/290 - Industriale D.8065.05.295/297/300/320 - Industriale D.8065.06.200/300 Veicolo A90.14 P,A70.14 P		4010


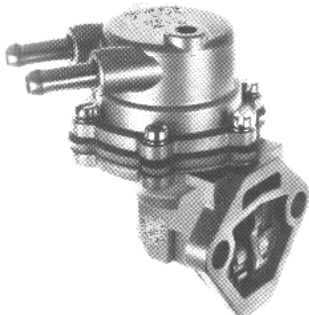
FLP	REFERANCCCE	TO FIT:	PICTURE	FLPNR.
4011	2705 500316048	<p>VECO : Industriale D.8060.45.4100...4120 - Eurocargo 150 E18 - Industriale D.8040.05X.4600... - Industriale D.8040.05X.4900...4955... - Industriale D.8040.05X.4981... - Industriale D.8040.25B.4200...4235 - D.8040.25B.4502.../4985... - Industriale D.8040.25X.4000...4035 - Industriale D.8040.25X.4550.4555 -Industriale D.8040.25X.4600.../4800... - Industriale D.8040.25X.4900...4910 - Industriale D.8040.25.4990 - Industriale D.8040.45.273.../283... - Industriale D.8040.45.4020...4035 - Industriale D.8040.45.4300.../4800... - Industriale D.8040.45.5200.../261 - Industriale D.8040...Euro 2 - D.8045.45C.5000 - Industriale D.8045.45D.5100//5101 - Industriale D.8045.45X.4182 - Industriale D.8060.05X.4600... - Industriale D.8060.25V.4100...4160 - Industriale D.8060.25V.4600.../4724... - Industriale D.8060.25V.4800...4850 - Industriale D.8060.25V.4901...4916 - Industriale D.8060.25.221.../241... - Industriale D.8060.25.261.../267 - Industriale D.8060.45A.4100 - Industriale D.8060.45b.4350... - Industriale D.8060.45B.5100...5150 - Industriale D.8060.45L.4485 - Industriale D.8060.45R.4200 - Industriale D.8060.45R.5000...5021... -Industriale D.8060.45X.4180.../4610 - Industriale D.8060.45.4400...4402 - Industriale D.8060.45.4600... - Industriale D.8060.45.4700...4755 - Industriale D.8060...Euro 2</p>		4011
4012	1886/5 25061581 25066406 461-279 509943 755F9350 AA 7990395 A506401/2 FP279 PON 102 PAD 1065 SP074	<p>FORD (EUROPA) : ASerie York (no zone fredde) Diesel 1973-1983 - Transit (no zone fredde) 2400 Diesel 1972...</p>		4012
4013	2560 25061598 25066384 461-317 816043 91145753 93151041 FP317	<p>BEDFORD DM/TL 500 Turbo Diesel 1980... TK Truck 500 Turbo Diesel - GM DM Diesel 500 Turbo 1980...</p>		4013

FLP	REFERANCCCE	TO FIT:	PICTURE	FLP NR.
4014	2663 91BF9350 BC-298	FORD (EUROPA) Fiesta, Orion 950, 1100, 1300 1989....		
			IN=DIA 9 OUT=DIA 9	
4015	2658 25062638 6 201 102 7 133 973 904F9350 AB 914F9350 AA 93151848 SP117	FORD (EUROPA) : Transit FDS 425 2,5 L. Turbodiesel		4015
4016	2658 25062638 6 201 102 7 133 973 904F9350 AB 914F9350 AA 93151848	FORD (EUROPA) : Transit FDS 425 2,5 L. Turbodiesel		4016

FLP	REFERANCC	TO FIT:	PICTURE	FLP NR.
4017	1870/1 25061514 25066402 2641326 2641335 2642327 461-147 60249 375145 7950885 AK-100 PAD 1014 SP125 ULPK0019	ACTIV FISCHER : Combine 800 Perkins 4.154 ALSTHOM DIESELAIR : Machine Agricole 2,3,4,5,6 Cil. BEDFORD : CF Furgone Perkins 4.154 BOLINDER MUNKTELL : Combine Perkins 4.154 CLAAS : Compact 25 combine Perkins 4.154 DRONNINGBORG : Combine Perkins 4.154 PERKINS : Industriale 4.154,4.203 - Jeep Willis Pick-up 4.203		4017
4018	2573 25061502 25066213 461-112 461-386 550324 563146 7950445 AH-002 PON 103 SP036 SP029	LEYLAND-ROVER : Sherpa 2,5 Diesel 1961-1971 ROVER : 88 & 109 serie IIA Diesel 2 1/4 1961-1971		4018
4019	1948/5 4660068 4667510 4709283 4740718 4757882 SP113	FIAT-HITACHI : Pala mec. FL4/D,FL4/L,FL4/C 8035.01c265 FIAT-OM CARRELLI ELEVATORI : DIM20,DIM25 3 Cil. - DIM30,DIM35 4 Cil. - DM12,DM15 3 Cil.		4019


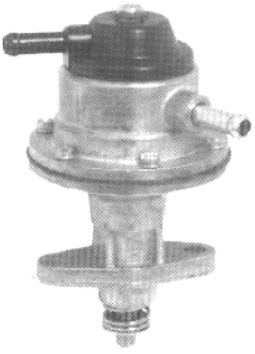

FFLP	REFERANCFE	TO FIT:	PICTURE	FLP NR.
4020	2621 98419724 SP168	FIAT : Tratore F 120 IVECO : Industriale D.8065.05.225/230/325/330 - Industriale D.8065.06.230/330		4020
4021	1693/1 05058066 2641465 461-161 7950732 7950948 7971025 994091 AK-044/1 FP161 SP027	ALLIS-CHALMERS (USA) : Tr. harvester Perkins 4.236TA BARBER-GREE : SA 40 Perkins 4.236TA MASSEY FERGUSON : Dx65 Perrkins 4A.236		4021
4022	2577/1 25061588 25066400 461-287 50.00.013.251 50.00.013.251.5 50.00.044.092 50.00.134.690 50.00.592.769 7990486 PL 3952 PON 118	SAVIEM (RVI) : Autotelaio S9 597 Perkins 6.354 6 Cil. - Autotelaio SM5,6,7,8,13 Perkins 6.354 - Diesel 597 - 6cyl. - Diesel 797,798 - 6cyl. 1984...		4022



FLP	REFERANCC	TO FIT:	PICTURE	FLPNR.
4023	2657/1 25061468 25061477 25066275 3441 3442 461-84 461-85 52257318 5506961 5506975 60368 60369 7.20971.53 7.20971.54 7.20971.57 7.20971.59 7.20971.63 816059 816068 816069 816070 816074 816075 8442 93151803 94658977 9.06.339.11 BC-148 FPM-037 MS-60368-S POC 526 PBS 208 PBS 209	HOLDEN : Camira JB,JD 1982... OPEL : Ascona C,S 1600,1800 1981... - Corsa NB,S,SB 1300 9/1988.. - Corsa S,ST 1200 9/1988... - Kadett 1600 1982... - Kadett E 1400 1989-1991 - Kadett N,NB,S 1300 9/1988... - Kadett S,OHC 1200 9/1988... - Kadett S,SV 1600 9/1988... - Omega 1800 8/86-1988 - Rekord E 1800 1978-1982 - Vectra 1400,1600 ...1988 - vectra 1800 ...1988 - Vectra OHC 1400,1600 9/1988 OPEL (Brasile) : Commodore 2500,2800 7/70-9/77 - kadett,Panema 1600,1800,2000 - Monza 1600,1800,2000 - Rekord 1900,2000,2200 ...8/1970 VAUXHALL: Astra 1300 1988... - Astra 1600 dal telaio JE215466 1981... - Astra,Nova 1400 1989-1991 - Belmont 1300 12/1988... - Belmont 1600 1985... - Cavalier 1400 1988... - Cavalier S 1600 1981... - Nova OHC 1200,1300 dal CH-4046564 1990-1993		4023
4024	1891/7 0 712 073 1 535 497 6 038 861 72TF9350 AB 75TF9350 CA 76TF9350 CA 7.20009.50 7.20202.50 7.20428.52 7.20828.52 9.06.803.11 BC-195 PBS 149	FORD (EUROPA) : Capri 1300,1500,1700 (4V) 1972-5/78 - Consul 1700 (4V) 1/72-8/81 - Granada 1700 (4V) 1/72-8/81 - Transit 1500,1700 (4V) 1/72-3/73		4024

FLP	REFERANCC	TO FIT:	PICTURE	FLPNR.
4025	1892/7 0 800 432 1 475 240 1 535 498 11 448 047 461-23 461-281 6 005 467 6 038 859 6 038 860 6 146 182 69FN9350 AA 69EN9350 BA 70HF9350 CA 72TF9350 BA 72TF9350 BB 74TF9350 AA 76TF9350 AA 7.15540.50 7.15591.50 7.15592.50 7.15626.50 7.20078.50 7.20200.00 7.20200.50 7.20203.50 7.20428.50 7.20428.53 7.20828.50 BC-196 LM-052 POC 648 PBS 151	FORD (EUROPA) : 17 M,20M,26 M 1800,200,2300 (6V) 9/67-1971 - 20 M,26 M 2300 (108/125 PS) (6V) 9/68-3/70 - Capri II 2000,2300 (6V) 3/69-8/79 - Capri II 2300,23600,2800,3000 (6V) 3/1969... - Consul 2300,3000 (6V) 4/70-7/75 - Granada 2000,2800, (6V) 8/1975... - Granada 2300,2600,3000 (6V) 4/70-7/75 - Sierra 2000,2300 (6V) 10/1982... - Taunus 2000,23 (6V) 4/70-8/82 - Transit 1500,1700 (4V- 60/65 PS) 4/73-7/84 FORD (USA) : Capri 2800 (6V) 4/73-1/74		4025
4026	1009/5 2195044 2226886 2266327 AB-340 POC-042	LANCIA : Flavia Super Jolly Fulvia 2C, GT, HF 1100 Fulvia Coupe, Rally 1300,1600,2000 PALMERI: Industriale PDA 625, 1250		4026

FLP	REFERANCCE	TO FIT:	PICTURE	FLP NR.
4027	1956/6 25061455 25066371 3313 461-47 5437616 5437945 5506940 8313 PV 3313 PBS 129	CITROEN : C 35 Benzina 1978... - CX 200,2200,2400 10/1974...		4027
4028	2594/7 93201157 MS-6782-B	G.M. (Brasile) : Chevette Junior 1000 - Chevette,Hatch,Marajo - Chevy 500 1400,1600 VAUXHALL : Chevette (Brasile)		4028
4029	2571/7 25061427 25061481 3440 3489001 3489002 461-358 461-80 461-86 5506967 7.20971.51 7.20971.55 816055 816056 816062 816063 816064 8440 93151488 POC 308 PBS 207	BEDFORD : Astravan,Astramax 1300 1981... OPEL : Ascona 1300 Mot.348041... 1979-9/81 - Ascona C 1300 10/1981... - Corsa S,ST,SB,NB 1200,1300 1983-8/80 - Kadett 1200 9/1982... - Kadett 1300 mMot. 348041 8/79-8/82 - Manta 1300 10/1981... - Manta 1300 Mot. 348041... 1979-9/81 - Manta 1800 3/1982... - Rekord 1,8 N/S 1800...Mot.D1197760 1983... VAUXHALL : Astra 1300 1981-1987 - Astra 1600 fino tel. JE215465 1986-1987 - Carlton S 1800 1982-8/85 - Cavalier 1300 1980... - Cavalier S 1800 1982... - Nova 1200,1300 dal CH-4046563 1983-1990		4029

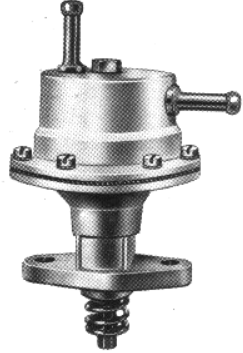
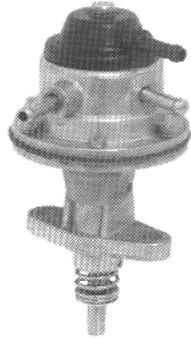
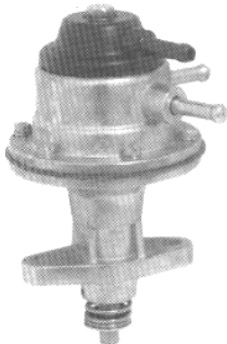
FLP	REFERANCCE	TO FIT:	PICTURE	FLPNR.
4030	1978/7 3413 750197 750566 7605662 7.20739.00 7.20806.50 7.20806.51 8413 931279 9312794 9.06.807.11 BC-201 POC 650 PBS 356	SAAB : 900 D91900 B20T-4cyl 1980-1983 - 99 GL,900 2000(100HP)1/80-5/83 - B/20/900 B20-4cyl 1983...		4030
4031	1977/7 461-50 5506943 816042 PON 122	BEDFORD : Blitz 2100 Diesel G.M. 1972-1977 - CF Furgone Diesel G.M.1977 OPEL : Rekord D Diesel 9/72-8/77		4031
4032	2638/1 002 091 40 01 002 091 56 01 002 091 66 01 002 091 68 01 002 091 79 01 461-363 7.20796.63 8810 POC 678 PBS 260	MERCEDES-BENZ : 190/W201-M102 2000 (90 PS,105 PS)1/1983... - 200/W123-M102 2000 (109 PS) 4/1980... - 200/W123-M102 2000 (109 PS) 1/1985...		4032

FLP	REFERANČE	TO FIT:	PICTURE	FLP NR.
4033	1961/7 25061460 461-54 5506951 7.20977.50 7.20977.51 816045 816071 POC 607 PON 121 PBS 164 90353533 SP165	BEDFORD : Blitz 2100 CF Furgone Diesel Opel 1978... OPEL : Ascona,Rekord 2000 Diesel 1979-1981 - Ascona,Rekord, Rekord Turbod. 9/1972... - Omega 2300 Diesel 8/1986... - Rekord E 2100,2300 Diesel 1975-1986 - Senator Turbodiesel 1985... VAUXHALL - Carlton Diesel 2300		4033
4034	2526/7 25061464 25066370 461-72 5506955 75510805 75521479 7.21757.50 8041 95496014 95585841 9.06.808.11 POC 514 PV 3041 PBS 133	CITROEN : CX 20,20TRE 1982... - CX 22 TRS 1986... - CX reflex,Athena 2000 1971-8/82 - CX TRS 2200		4034
4035	1937/7 2406 25061467 461-22 461-58 461-69 5506960 6782 6783 7.15515.50 7.15612.50 7.20971.50 7.20971.56 7.20972.50 816019 816023 816025 816034 816049 816050	OPEL : Admiral 110 9/65-12/75 - Ascona 1200 1983... - Ascona 1300... Mot. 348040 1979... - Blitz 1900 1965-12/75 - Kadett S,OHC 1200,1300...Mot. 348040 - 1979-1984 - Kadett,Olympia 1500 9/67-8/70 - Kadett,Olympia 1700 9/67-8/80 - Kapitän 1900 9/65-12/75 - Manta 1300...Mot. 348040 1979... - Rekord 1500,1700 1965-2/71		4035

FLP	REFERANCCE	TO FIT:	PICTURE	FLP NR.
4035	8446 94642703 9.06.340.11 PBS 206			4035
4036	1938/7 25061450 3443 461-38 461-41 461-57 5506901 5506925 5506932 7.15501.50 7.15603.50 7.15656.50 7.20971.52 816030 816031 816035 816036 816047 8443 89360335 BC-149 FPM-036 G 6932 GFP 4271N POC 307 PX-800 PBS 162	HOLDEN : Torana Subird 1900 Opel 1974-1978 OPEL : Admiral B 2800 H/S 1969-7/77 - Ascona A,B,N,S 1600,1900,2000 8/70-9/81 - Blitz,LKW 2500 1966... - Commodore 2200,2500 S,2800 H/S 1967-1977 - Diplomat B 2800 H/S 1969-7/77 - Kadett S,GT 1600,1900 1969-8/79 - Kadett , Olympia 1900 8/65-3/71 - Kapitan 2800 1969-7/77 - Manta B 1,6N/S-1,9 S-2,ON/S 1600,1900,2000 8/70-9/81 - Monza - 2800 10/67-8/82 - Monza 2800H 1978... - Monza 3000H 1978... - Rekord 1700,1900,2000 3/1971... - Rekord 2200 1967-1968 - Senator 2800 10/67-8/82 - Senator 2800H 1978... - Senator 3000H 1978... PONTIAC (USA) : Le Mans (DAEWOO) Opel 1900 1974-1978 RANGER : S,SH 1700,1900,2500,2800 1972-8/77 VAUXHALL CArlton S,Viceroy 2000,2500 9/78-1982 - Cavalier S 1600,1900,2000 1975-1981 - Royale 2800 10/78-1983 - Senator 1984...		4036

FLP	REFERANCFE	TO FIT:	PICTURE	FLP NR.
4037	1939/7 0 245 629 0 448 299 11 425 629 11 448 299 7.15127.00 7.15537.50 9.06.804.11 PBS 146	FORD : (EUROPA) : 12 M, 15 M 1200,1300,1500, (4V) 1967-7/70 - 17 M 1500,1700 (4V) 8/61-12/71 - 20 m 2000 85/90 HP (6V) 10/64/1970 SAAB : 95,96 - Ford 1500 (65 HP-4V) ... 1974		4037
4038	1997/7 25061466 25066412 3042 461-73 5506959 77.00.670.401 77.01.348.925 PV 3042 PBS 188	RENAULT : R18 diesel R1344 Mot.852 1982-1986 - R20 Diesel TD,GTD R1276 12/1979...		4038
4039	1950/7 1450.35 1450.43 1450.44 1450.44 25061459 25066364 269627-6 3032 3211 3213 3517422 461-48 461-53 5506941 5506950 74.00.269.627 7910245706 79.10.245.706 79.10.245.707 7.21750.50	PEUGEOT : 504 Coupé,Cabriolet V6 10/1974... - 604 Cabriolet,Coupé PF 1/1978... - 604 SL V6 10/1975... RENAULT : Alpine A 310 V6 1976... - R30 TS, TX R1273,R1275 10/76-1983 TALBOT : Tagora VS,SX 1981... VOLVO : 240,260 B 27 - 264 DL, GL V6 9/1974... - 740,760 B 27		4039

FLP	REFERANCCCE	TO FIT:	PICTURE	FLP NR.
4039	9.06.805.11 BC-193 PV 3213 PBS 170			4039
4040	1864/7 162.059 25061438 25066366 40.961H 461-26 5506911 PBS 197	TALBOT : 1610 1970... - Chrysler 160,180,1610,2000 9/70-1981 - Matra Murena 2200 9/1980... - Tagora GL, GLS 2200 2/1981... CHRYSLER (FRANCE)		4040
4041	1865/6 132.211 25061453 3312 3314 461-45 5428535 5428536 5428537 5467097 5491102 5506938 75492254 7.21767.50 8109 8312 8314 95493324 95493367 95648551	CITRIOEN : Ami 8 Super 1015,1130,1270 9/70-1976 - Axel "11 R" 1129 7/1984... - Axel "12 R" 1295 7/1984... - Entreprise 1129 1980... - GS 1015,GS 1220, Gs X3 9/1970... OLTCIT (Romania) : Axel 11R-12R 1129cc - 4 cil Citroen 1981... - Club 11R, 12TRS 1297		4041

FLP	REFERANCFE	TO FIT:	PICTURE	FLP NR.
4041	9.06.800.11 BC-110 CZ-052 GX 0314502 A GX 0314503 A PV 3109 PV 3312 PBS 128			4041
4042	1866/7 08.55.952.800 25061437 25066367 3003 461-25 5506910 77.00.557.763 77.00.641.717 77.01.348.155 9.06.801.11 BC-191 POC 546 PV 3003 PBS 184	RENAULT : Alpine A 110,310 R16 TS/TX 1968-1976 - Fuego TS,GTS e Automatica R1362,R1368 3/80-1985 - R12 Gordini R1173 10/70-1974 - R15 TS,TA R1302 10/71-9/76 - R16 TS,TA, TX R1151,R1154,R1156 1968-6/76 - R17 TL,TS R1312,R1318,R1322,R1328 1972-1978 - R18 Export GTS R1348,R1358,1342,1352 3/80-1986 - R20 L,TL,GTL 1600(R1271) 12/75-1983		4042
4043	1951/7 25061431 25061458 25066368 25066372 3031 3039 3489006 3732 461-52 461-96 5506948 77.00.737.700 77.00.349.261 77.00.625.707 77.00.641.069 77.00.646.555 77.00.646.959 77.00.960.476 77.00.690.477	Escape GTX,TX,TSE 2000 7/1984... - Fuego R1363 2.0 Lit. 1982-1985 - Fuego Tx,GTX Aut. R1263 1980... - Jeep CJ7 1995 5/1983... - Master 829.730,829.731 10/1980... - R18 Export GTS,GTX,TX,BREAK 2000 (R1343)3/1980... - R20 R1272,R1277 1980-1983 - R20 LS, TS, TX,Automatica 2000,R1279 1977... - R25 GTS,TS,TX 2000-B297 1984... - Trafic T13000B,P1400B 5/1983... - Trafic,Microcar Minibus 1200 cc,1400cc 1987-1992 RENAULT(Argentina) : R18 Fuego 2000		4043

FLP	REFERANCCCE	TO FIT:	PICTURE	FLP NR.
4043	77.00.720.476 77.01.348.261 77.01.349.080 77.01.349.261 7.21741.50 7.21743.50 7.21756.50 9.06.806.11 9.06.809.11 BC-192 BC-194 POC 536 PV 3031 PV 3039 PV 3732 PBS 186			4043
4044	2612/2 752273 7522733 7.20806.02 7.20806.52 8415	SAAB : 90,99,900 1985 1983-1987		4044
4045	2623 3049 77.00.749.253 77.00.743.727 77.00.851.879 77.00.853.480 77.00.860.573 8728 8729 8739	RENAULT : Chamade RT,GTX,TEXE L533 1989-1993 - Clio RT F2N 1700 7/1990... - Fuego TX,GTX,Automatica 2100 1980.. - Nevada Break/Estate F2N 1986-1992 - R18 Export GTS 2100 1980... - R18 Export TX,GTX 2100 1980... - R19 GTX,TEXE F2N 1700-B53M, C53M 9/1988... -R19,R21(Vett. extra europees) 1700 -R21 Nevada TS,GTS - R21 TS,GTS,RS 1,7 F2N-711/720/721/754 7/1991...		4045
4046	2555/6 3342128 3342128-0 3344221280 77.00.734.727 77.00.735.148 7.21777.50 8360001 POC 660 PV 8738	RENAULT : R21 1721 t.t. - r21 Nevada F2N 1700 7/1987... - R5 GTX Baccarà F2N 1700 7/1987... VOLVO : 340 1700 1985-1989 - 260 GLE 1700 1982... - 440 1700 1988-1991 - 460 1700 1989-1991		4046

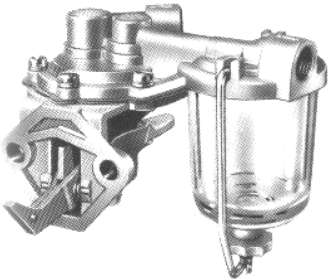
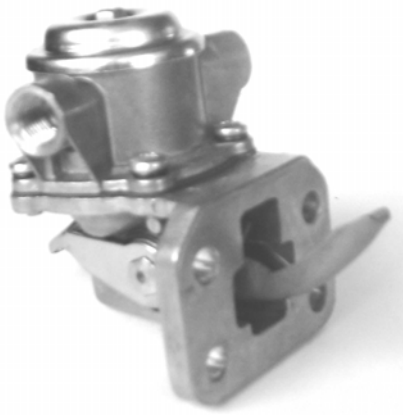
FLP FUEL PUMPS & FEED PUMPS

2004

POMPA DI ALIMENTAZIONE - FUEL PUMP - POMPE D'ALIMENTATION - KRAFTSTOFFPUMPE - BOMBA DEALIMETACION

FLP	REFERANCFE	TO FIT:	PICTURE	FLP NR.
4047	2575 25061498 461-404 7950146 AE-005 DKN9350 BA FP404 PAD 1004	ALBINO : CD-21 Leyland 4000 DORMAN : Industriale DA,6DA,6DA-V12 FORD (EUROPA) Major,Super Major 1613502... 1962... LEYLAND-ROVER Albino-Revier CD-21 400 1965...		4047
4048	2641494	BALKANCAR FORKLIFT D3900 20TB		4048
5001	1812 25061529 25066378 2641309 2641310 2641311 2641A063 3960 461-167 461-184 7971040 7971233 994094 AK-008 AK-008/1 PL 3960 3637307 0011245U91 PAD 850 SP025 ULPK0006	EICHER : Tr. 3155,3255,3256 Perkins D3.152 LANDINI : Tr. 4500,5500 4RM Perkins 3.152 -Tr. TL 19C, TL 21C Perkins D3.152 LEYLAND-ROVER : Tr. 245,253 Perkins D3.152 LINDNER : Tr. Transporter 520S Perkins D3.152 MASSEY FERGUSON : Tr.122, MF 133/135 Vigneto Perkins D3.152 - Tr. DX35,DX40,HX210 Perkins 3AD.152 - Tr. I.C.M. Aprilia MF 100C Perkins D3.152 - Tr. MF 135 Perkins D3.152 - Tr. MF 135Mk III, 135V Perkins 3AD.152 - Tr. MF 135, 135ET Perkins 3AD.152 - Tr. MF 135 / 2135 Perkins D3.152 - Tr. MF 140 Mk III,145V Perkins 3AD.152 - Tr. MF 140,140V Perkins 3AD.152 - Tr. MF 148Mk III,152,152ET - Tr.MF 148,148/148V Perkins D3.152 - Tr. MF 150,203,2200 Perkins 3AD.152 - Tr. MF 152Mk III,152V - Tr.MF 2203-7, 2205-7 Perkins D3.152 - Tr. MF 235,245,255 Perkins D3.152 - Tr. MF 240,250,254,550 Perkins D3.152 PERKINS : Industriale D3.152,3.152,3AD.15 ATLAS: COPCO : Compressor XA60 Eng.Perkins D3.152		5001


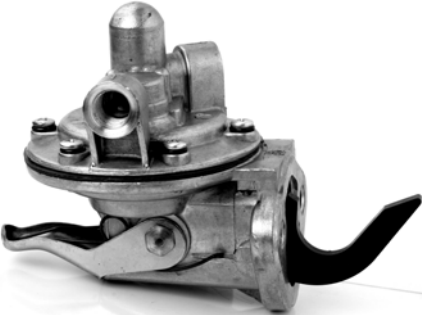
M12 x 1.25


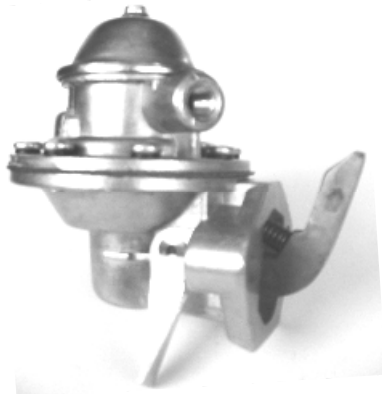
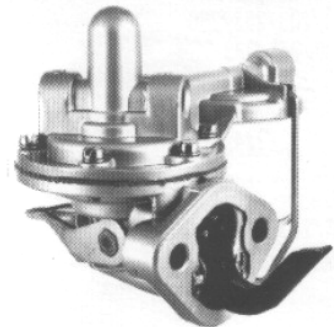
FLP	REFERANCCCE	TO FIT:	PICTURE	FLP NR.
5002	1695/1 25061520 25066019 25066401 2641406 2641408 3729945 461-165 60250 6616798 7950540 7971038 994092 AK-005 FP165 3637288 35273 PAF 1 SP020 ULPK0018	<p>AVELING BARFORD : GB5 Perkins 3.152.1 BOLINDER MUNKTELL : Trattore D430 Perkins D3.152,D3.152TA BROOME & WADE : Compressore CAI Perkins D3.152 CONSOLIDATED PNEUMATIC : Compressore Perkins D3.152 FENWICK : D3/SD3B,SD 3A Perkins D3.152 HYSTER : Fork Tuck S30/40C Perkins 3.152.1, D3.152 INGER SOLL : Compressore 85 CFM Perkins D3.152 LANDINI : MF 244,4000,5000 Perkins 3.152 MARSHALL : Rullo Compressore Perkins 3.152.1 MASSEY FERGUSON Tr.122 Perkins 3.152 - Tr. 135 Perkins 3.152,152UA38570D - Tr. 135,203,205 Perkins A3.152 1965... - Tr. MF 135Mk III,135V Perkins 3A.144 - 1960... - Tr. MF 135, 135 ET Perkins 3A.144 1960... PERKINS : Industriale 3A.144,3.152.1,3.152TA - Industriale A3.152, D3.152</p>		5002
5003	2567 25061557 25061567 25066374 25066380 2641709 2641725 2641728 2641A055 2641A066 2641A071 2641A072 2641A074 3637290 3861 461-251 461-264 484072 60208 72095 75064077 7990114 7990268 910602 994141 994142 AK-063 AK-063/0 AK-063/1 FP251 FP264 PL-1005 PAD 1246 SP049 ULPK001 ULPK0022 ULPK0034	<p>ACTIV FISHER : Combine M 800 Perkins 4.236 ALLIS-CHALMERS (USA) : Machine Agricole 345 Perkins 4.238 ARBOS : Combine Perkins 4.236 AVELING BARFORD : GN TR3 GD/PTR Perkins 4.236 AVTOEXPORT : Carro Gaz 53 Perkins 4.236 BERLIET : 550K Carro Perkins 4.236 BRISTOL : Compressore Perkins 4.236 BROOMR & WADE : Compressor CA2/3 Perkins 4.236 BUHRER : Trattore Perkins 4.236 CARRARO : Tr. 6000,700 Perkins 4.236 - Tr. 800 Perkins 4.248 CATERPILLAR : VC60C, 660P Perkins 4.236 CLARK : DC70 Perkins 4.236 CONSOLIDATED PNEUMATIC : Compressore 152-RO-1 Perkins 4.236 CONVEYANCER : TC Serie 7 Perkins 4.236 DRONNINGBORG : Combine Perkins 4.236 EICHER : Trattore Perkins 4.248 EPPLE BUXBAUM : Combine Perkins 4.236 HANOMAG : Macchina Agricole 22C Perkins 4.248 HOBART : 300/400A Perkins 4.236 HYSTER : Fork Truck H110/150F Perkins 4.236 INGERSOLL : DR125/140/150 Perkins 4.236 INTERNATIONAL HARVESTER : Tr. 474 Perkins 4.212 - Tr. 585 Perkins 4.236 JOHNSTON BROS : Serie 400 Perkins 4.236 JONES CRANES : 04 Mobile Crane Perkins 4.236 J.C.B. Maccine agricole 110 Perkins 4.248 LANCER BOSS : Applic. diverse Perkins 4.236 LANDINI : Tr. MF 174,MF 184,MF194 23 Perkins 4.236 _ Tr. R6500, R6550,R7500 Perkins 4.236 - Tr. TL 20C Perkins 4.212 - Tr. TL 20N/A,TI20DT Perkins 4.236 - Tr. TL 23 Perkins 4.248 LANSING BAGNALL : Applic. diverse Perkins 4.236 LAVERDA : Applic. diverse M92 Perkins 4.236 LINCOLN ELECTRIC : Generat.Elet.300 & 400 Amp. Perkins 4.236 LINDER : Trattore Perkins 4.236 MASSEY FERGUSSON : Escavatore MF 350,W350,MF487 Perkins 4.248 - MF 11 Shavel Loader Perkins 4.248 - MF 165 Combine Perkins 4.212 - Tr. Industr. MF 30/50 Perkins 4.212 - Tr. MF 168 Narrow Perkins 4.236 - Tr. MF 168,168 Mk. III/168F Perkins 4.236 - Tr. MF 175/175S,175/178 Perkins 4.236 - Tr. MF 178 Perkins 4.248 - Tr. MF 185,188,194 Perk.4.248 248UA71961... -Tr. MF 186 Combine Perkins 4.212 - Tr. MF 206,307 Comb.harvester Perkins 4.236 - Tr. MF 265,274,275 Perkins 4.236 - Tr. MF 285,290 Perkins 4.248 - Tr. MF 300,33 Perkins 4.248 - Tr. MF 50 Phase II Skid Perkins 4.212 - Tr. MF</p>		5003

FLP	REFERANCCCE	TO FIT:	PICTURE	FLP NR.
5003		<p>PERKINS : Industriale 4.212,4.236,4.248 ROSSI : Maccine Agricole Perkins 4.236 SCHILTER : Trattore Perkins 4.236 TALBOT : Commer Commando Serie 100 RG Perkins 4.236 1974... - Commer KC Walk Thru Perkins 4.236 1967... -Dodge Commando 100 Ser.RG Perkins 4.236 1974... - Dodge KC walk Thru Perkins 4.236 236U5670.. 1967... - Walk Thru 50 Perkins 4.236 TOWMOTOR : FLT,V100/120/140 Perkins 4.236 VOLVO : Tractor P300,P830 Perkins 4.236 - Tractor P827,T500,P838 Perkins 4.236 - Truck F82,F83,G65,G80,F407 Perkins 4.236 DODGE AS 250 KAMYONET</p>		5003
5004	<p>1987 25061608 25066379 2641704 2641712 2641808 461-312 93151022 93151069 994183 994295 AK-083 AK-083/1 FP312 3637292 PAD 1241 SP077 ULPK0004</p>	<p>ATLAS COPCO : Compressore XA60 Perkins D3.152 BOLINDER MUNKTELL : Macine agricola T430 Perkins D3.152 BROOME & WADE : Compresso CAI,CAIS Perkins D3.152 CONSOLIDATED PNEUMATIC : Applic. diverse Perkins D3.152 DALE ELECTRIC : Generatore elettrico Perkins D3.152 EICHER : Tr. 3155,3255,3256 Perkins D3.152 HYDROVANE : Compressore 85CFM Perkins D3.152 HYSTER : Fork Truck S30/40C FLT Perkins D3.152 INGERSOLL Compressore 85 CFM Perkins D3.152 - Compressore P140 WP Perkins D3.152 JOHNSTON BROS : Applic. diverse Perkins D3.152 LANDINI : Tr. MF 244 Perkins D3.152 Tr. TL 19C,TL 21C Perkins D3.152 LEYLAND-ROVER : Tr. 245 Perkins D3.152 LINDNER : Tr. Transporter 520S Perkins D3.152 MASSEY FERGUSON : Tr. 122 Perkins D3.152 Tr. Ind. MF 2203-7,2205-7 Perkins D3.152 - Tr. I.C.M. Aprilia MF 100C Perkins D3.152 - Tr. MF 133,135 Perkins D3.152 - Tr. MF 135,135/2135 Perkins D3.152 - Tr. MF 148 Perkins D3.152 - Tr. MF 235,245,255 Perkins D3.152 - Tr. MF 550 Perkins D3.152 PERKINS : Industriale D3.152</p>		5004
5005	<p>7971330 BMC 13 H 5237 461-207 SP028</p>	<p>LEYLAND :Mini Tractor Diesel 1968 NUFFIELD TRACTORS : Tractor Diesel (1.5 Litre) 1969</p>		5005

FLP	REFERANCCCE	TO FIT:	PICTURE	FLP NR.
5006	4709282 4609596 4607671-72 4648022 4660069 4667509 SP084	FIAT-OM : Tr. 355,400,450,450DT,455,455C - Tr. 480DT,500, 500DT, 505C,500DT - tr.550,550DT,555,600DT,600DT3,640DT,640 1978		5006
5007	1947/5 115.16.070 4609596 4648022 4660069 4667509 4709282 4740717 4756678 4757883 9.06.032.11 9.06.161.11 PON 108 SP056	AIFO : Industriale 8041.25.200 FIAT-HITACHI : AD4,FL4,FL4 /C,FL4/D - Idrovert TL5,TL5H,S60 FIAT-OM CARELLI ELEVATORI : DI12,DI15,DI20,DI25 3 Cil. - DI20C,DI25C,DI30C 3 Cil. - DI30CH,DI35C,DI40C,DI50 4 Cil. - DI30,DI35,DI40 4 Cil. IVECO: Industriale D.8031.05.300 - Industriale D.8035.05.200 - Industriale D.8035.05.208/265/308/359 - Industriale D.8035.06240/309/340 - Industriale D.8035.06.342/343 - Industriale D.8041.05.200/206/306 - Industriale D.8045.05.200 - Industriale D.8045.05.200/201/204 - Industriale D.8045.05.206/207/209 - Industriale D.8045.05.307/359/370/389 - Industriale D.8045.06.206/320/322/346 - Industriale D.8045.25.305/370/375 NEW HOLLAND (FIAT GEOTECH) : Trattore 8045.06.200 - Tr. 350,355,400 - Tr.420,450,450DT - Tr.455 - Tr.455C,470,480DT - Tr. 500,500DT,505 - Tr. 505C,500DT Special - Tr. 540,550,550DT - Tr. 555,580,600DT - Tr.600DT3,605 - Tr. 605C,640,640DT TRACTORUL BRASOV : Trattore 1500		5007
5008	1808/5 25061504 25066375 461-114 708294R93 7950454 FP114 PAD 1074 SP037	INTERNATIONAL HARVESTER : Tr. B 275 Diesel - Tr. B 414 - Tr. B 434 Diesel - Tr.B 450 - Tr. BD 144 Diesel - Tr. BD 154 Diesel		5008

FLP	REFERANCCCE	TO FIT:	PICTURE	FLP NR.
5009	2576 25061519 25066390 394-11130 461-160 7950636 7971021 AE-060/1 AE-060/2 EIADDN9350 FP160 SM-9350 PAD 1201 SP047	ALBION : CD-21 Leyland 4000 DORMAN : Industriale 4DA,6DA,6DA-V12 FORD (EUROPA) : Major , Super Major 1613502... 1962... LEYLAND : Albion-Reiver CD-21 400 11965... VOLVO		5009
5010	1548 13H3376 461-164 7950729 7971028 PAD 1229	LEYLAND-ROVER : 1200FJT,1500,1800 5,7 Lit. Diesel 1970... - 5,7 Lit. Diesel Perkins W8.510,W8.540 - 950FJ,120081700 FJT 5,1 Lit. 1970... - FJ 950,1160,1300 5,7 Lit. Diesel 1970... - FJ-FJK100,140,160,240 5,7 Lit. Diesel ...1970 - FJ-FJK100,240,340 5,1 Lit. Horizont. Diesel ...1970 - FJ-FJK300,360 5,7 Lit Diesel ...1970 - LR1800,1825 (Trac.Units) 5,7 Lit. Diesel ...1973 - Laird LR1200,LR1300 5,7 Lit. Diesel ...1973 - Laird LR950,LR1000 5,1 Lit. ...1973 - Laird LR950,LR1000,LR1160 5,7 Lit. Diesel ...1973		5010
5011	1533/2A 21A1259 25061526 25066383 2641469 461-179 510E9350 7950618 7971029 7971183 931149 831149A A500360 A502983 AE-059/1 AE-059/2 D33858 ST-4A9350 PAD 1200 SP012	AEC : Guy Leyland 470 Simms P4/6731 BEDFORD : TK Diesel 370,400 - VA Autotelaio Diesel 400 CAV Industriale Leyland OE370/400 FORD (EUROPA) : D 1000 V8.511 & 511 1967-1973 - Industriale (Symms) 4 Cil. P4632/33/79/85/86 1967-1968 - Industriale (Simms) 6 Cil. P4594/4635/36/64/87 ...1/1974 - Tr. 3000,5000,8000,9000 1/1974... - Tr. Super Dexta,Super Major 5000 1962-1966 LEYLAND-ROVER : Albion K & M 4/6 Cil. Diesel E370/400 - Bus Comet 370 (Simms P4606/1) - EA Horizontal (Simms P4614) - Industriale 370 (Simms P4606/21/57) - Industriale 400 (Simms P4572,P4613) - Industriale 400 (Simms P4637/54/92) - Industriale OE 370,400 CAV Equip. - Industriale OE 370,400 Simms Inj. 1986... TALBOT : Dodge & Commer D407,7&8 Ton Leyland 370 1965-1970		5011
		SP053		

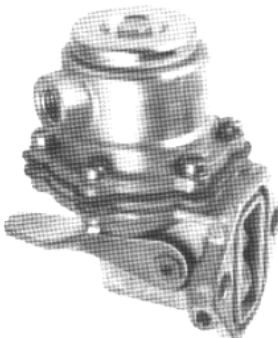
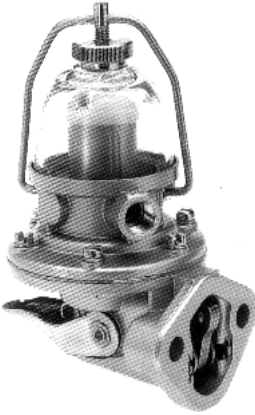
FLP	REFERANCCCE	TO FIT:	PICTURE	FLP NR.
5012	1928/5 283.6585.031 283.6585.31 POC 104	FERRARI : Motocoltivatori 72,72 Super Lombardini - Motofalciatrici 702,703,705 Lombardini _ Tr. MC60,MC60RT Lombardini GOLDONI - Motocoltivatori Export Lombardini - Motocoltivatori Speciali Lombardini LOMBARDINI : Industriale Diesel 3LD 450 - Industriale Diesel 500,503,505,507 - Industriale Diesel 520,523,525,527 - Industriale Diesel LD 450 (Gr. 3-4) - Industriale Diesel LDA 80,LDA 80B - Industriale Diesel LDA 96 e deriv.		5012
5013	1529/1 25061512 25066407 2641345 2641A065 2490336 4309795 461-138 5042232 7950432 7950771 994103 AK-004 AK-091 FP138 3637338 32589 PAF 8 SP031 ULPK0009	BALKANCAR : 2,4 Ton Perkins 4.203 BUHRER : Trattore Perkins D4.203 CONVEYANCER : TC Serie 8 Perkins 4.203 CONVENTRY : FLT Perkins 4.203 EATON : 2,4 Ton Perkins 4.203 HYDROMAC : Escavatore idraulico Perkins D4.203 HYSTER : Fork Truck S60B,H60C Perkins 4.203 - Karry Krane KE Perkins 4.203 LANCER BOSS : Applic. diverse Perkins 4.203 LANDINI : Tr. 6000 Perkins 4A/192-4A/203 LANSING BAGNALL : Applic. diverse Perkins 4.203 MASSEY FERGUSON : CX65 Perkins 4AD/236 1965... - Model 86-6 Combine Perkins 4AD/203 1965... -Tr. MF 65,Mk I-II Perkins P4-4.203D 1965... - Tr.Mod. 165 Perkins 4AD/203 1965... MOTOR IBERICA Applic. diverse Perkins 4.203 ORENSTEIN & KOPPEL : V 25 Perkins 4.203 PERKINS : Industriale 4-4.23, D4.203 e deriv. 1965... RANSOMES & RAPIER : Mobile Crane Perkins 4.203/1 RUBERY OWEN : SA 35/41 Perkins 4.203 TALBOT : Carrier Bantam perkins 4.203 1963... - Commer KC Walk Thru Perkins 4.203 1967... - Commer KC Walk Thru 1,5 Ton 4 Cil.(Petrol) ...1963 - Commer KC Walk Thru 2&3 Ton 4 Cil.(Petrol) ...1963 -		5013
5014	1752/1 25061524 25066404 2641328 461-175 7971116 AK-104 FP175 3637286 2641336 PAD 816 SP098	LANDINI : Tr. 6500 Perkins 4.203 MASSEY FERGUSON : Tr. 165,300,HX21 Perkins 4AD.203 1966... - Tr. DX45,HX211,MF165 Perkins 4AD.203 1966... - Tr. MF 158,158ET,158 Mk III Perkins AD4.203 - MF 300,302,304 Perkins 4AD.203 - Tr. MF 304,365,3165S Perkins 4AD.203,4AD.203.1 - Tr. MF 3303,3305 Perkins 4AD.203,4AD203.1 1966... - Tr. MF 560 Perkins 4AD.203 - Tr. MF 765 Perkins 4AD.203,4AD.203.1		5014

FLP	REFERANCCCE	TO FIT:	PICTURE	FLPNR.
5015	2969 461-66 5507919 AR77914 AR92777 CX-020 DD13483 DE16748 FP1700 RE37482 SP042	JOHN DEERE (EUROPA) : Industrial 3,4,6 Cil. Diesel ...1989		5015
5016	1943/1 3929 461-66 5507919 AR77914 AR92777 CX-020 AA13483 DE16748 DD14195 FP1700 FP66 RE37482 SP042	JOHN DEERE (EUROPA) : Industriale - 1120,113,1140,1630,1640 --- 1989 - Industriale 1830,1840,2020,2030,2040S ...1989 - Industriale 2120,2130,2140,3030,3040 ...1989 - Industriale ,3130,3140,3640,4040S ...1989 - Industriale 3,4,6, Cil. Diesel ... 1989 - Industriale 940,1020, 1030,1040 ...1989		5016
5017	2513 120.00.00 SP146	BEOGRAD IPM : Tr. Applic. diverse		5017

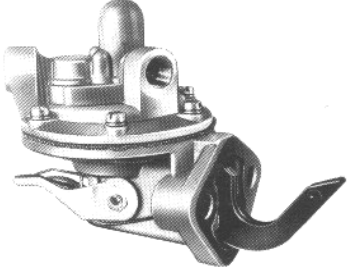
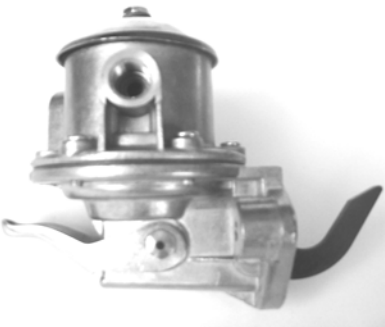
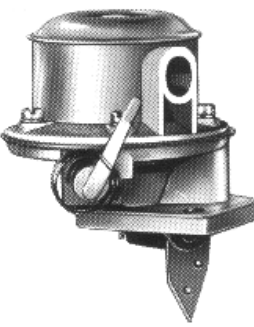
1/8 x 27

IN= M14x1,5 OUT= M14x1,5

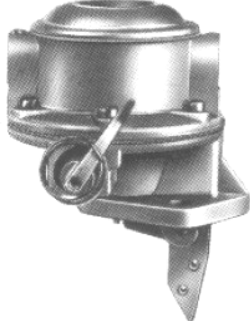
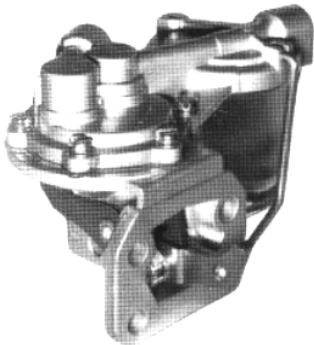

FLP	REFERANCCCE	TO FIT:	PICTURE	FLP NR.
5018	2514 122.00.00 SP145	GEOGRAD IPM : Tr. Applic. diverse		5018
				IN= M14x1,5 OUT= M14x1,5
5019	1964/5 2.4519.260.0 2.4519.270.0	SAME DEUTZ-FAHR GROUP : Industriale		5019
5020	1779/1 25066403 3950 461-246 50.00.592.768 50.00.044.183 7990084	RENAULT (RVI) : SG2 671 1962... SAVIEM (RVI) : Furgone SG2 4 Cil.		5020
				IN= M12x1 OUT= M12x1

FLP	REFERANCCCE	TO FIT:	PICTURE	FLP NR.
5021	1946/5 4279496 4724652 4740996 4749880 4755893 9.06.136.11 POC 097 PON 105 SP157	ALFA ROMEO : Furgone 30AR,32AR8 ...6/1983 - Furgone 35AR8, 40AR8 ...6/1983 FIAT : 131 Diesel 2000,2500 ...6/1983 - 131 Marengo Diesel 2500 ...7/1983 - 132 Diesel 2000,2500 ...6/1983 - Argenta Diesel 2500 ...6/1983 - Campagnola Diesel 2500 ...7/1983 IVECO : Autocarro Daily (Tutti tipi) Diesel 2500 ...6/1983 - Autocarro Grinta Diesel 2500 ...6/1983 - Industriale 4 Cil. 8140.61.300 e der ...6/1983		5021
5022	1905/5 25061505 25066373 323939 329-24810 329-62200 351-12150 461-115 7950461 FP115 PAD 1080 SP096	LISTER PETTER : HA, HB, LD, LS Diesel Air Cooled		5022
5023	1822 25061521 25061568 25066399 461-168 7950746 7971043 944997 PAD 1039	CASE : Tr. 1190,1290,1390,1490,1690 David Brown 1975... - tr. 580 Dawid Brown DAWID BROWN : tr. 1390,1490,1690 1975... - Tr. 1x58,1190,1290 1974... - tr. 990,1200,1400 Serie 900 1974... ROVER : 2000 SC,TC 2000 1965-1974 - 2200 2200 1972-1976		5023

FLP	REFERANCCCE	TO FIT:	PICTURE	FLP NR.
5024	1823 25061516 25066016 461-149 7950901 B908819 7971294 461-201 PAF 9 SP032 SP076	CASE : Tr. 1190,1290,1390,1490,1690 david Brown 1965-1974 DAVID BROWN : Tr. 1390,1490,1690 1965-1974 - Tr. 770,780,880 3 Cil. Diesel 1965... - tr. 885,885N, 1190,1290 1965-1974		5024
5025	1881 25061515 461-148 7950899 B90944 PAD 1052 7990271 461-267 SP141 SP034	DAWID BROWN : 990,1200 4 Cil. Diesel 1967-1973		5025
5026	1958/5 1.518.0018A	VM : Industriale 298 SU 1981....		5026



FLP	REFERANCFE	TO FIT:	PICTURE	FLP NR.
5027	1863/1 25061530 2641333 461-193 7971262 911287 AK-107 PAD 1082 SP082	CLARK : C60/70/80/ "B" CY40/60 Perkins 4.203 EICHER : Tr. 3355.3356 Perkins 4.203 FENWICK : FLT Perkins 4.203 HYSTER : Fork Truck H40H Perkins 4.203 LANCER BOSS : Applic. diverse Perkins 4.203 LANDINI : Tr. TL 16N Perkins D4.203 MASSEY FERGUSON : MF 1080 Phase III Perkins 4.318 - Tr. MF 155,158 Perkins 4.318 - Tr. MF 195 Perkins 4A.318 - Tr. MF 260 Perkins D4.203 - Tr. MF 295 , 298 Perkins 4.318 - Tr. MF 560 Perkins 4.203 - Tr. MF 590X,595S Perkins 4.318 - Tr. MF 592 Perkins 4.318 - Tr. MF 595 Perkins 4.318,4.318.2 - Tr. MF 598 Perkins 4.318 PERKINS : Industriale A4.318,4.203 RUBERY OWEN : TC Serie Perkins 4.203 VALTRA VALMET (SISU) : FLT Perkins 4.203 YALE & TOWNE : FLT D51 AT 40 Perkins 4.203		5027
5028	1678/2 25061506 25061511 25061566 25066405 2641371 461-116 461-137 461-263 60252 781114 78997 78-1114 7950499 7950770 7990265 79-1113 AK-110 FP137 PAD 1003	AEC : AV 275,312,319,470E - AV 470E,590 DPA - AV 505 LHD ...1966 - AV 690/5B 410 DPA - Industriale Perkins 6/305,6/340 - Reliance Express Coach ALLIS-CHALMER (USA) Tr. BTL 12D,14D,16D,20D DPA 1963... BRISTOL : Titan 680,690 LETLAND-ROVER Bus Atlantean 680,690 1958-1965 - Bus Fleetline FE30 680,690 - Bus Leopard,Victory 680,690 1965... - Bus Worldmaster 680,690 - Tr. Scammel,Contractor AV760 680 - Industriale 6.357/7 - Industriale/Marino 6.288,6.305,6.340,4.99 1965... PERKINS : 4/99 Marine,6/288 Allis Chalmers A.Combine 6/305 Allis Chalmers C.Combine 6/340 SISU (Valmet) BT69CR,530 City Leyland 760 - R141,142,149,M169 Leyland 690 TALBOT : Dodge D405 3,5-5-6-7 Ton Perkins 6.305 1965-1970 SP093 SP030		5028
5029	1796 25061539 25061543 25061570 25061610 25066387 25066389 2641473 2641476 2641479 2641507 461-213 461-220 461-269 461-330 508995/2 660-13740 75060559 7971392 7971405	BERLIET : Bus City PR100 Perkins V8.510 DENNIS : F108 Fire Perkins V8.540 FORD (EUROPA) Truck D 1000 Perkins V8.540 - truck serie D Phase II Perkins V8.510 1976... HAULAMATIC : Dump Truck 6/15 Perkins V8.540 LEYLAND-ROVER : Boxer BX 1425 Perkins V8.510,540 - Mastiff & Super MASTIFF Perkins V8.510,540 1972... PERKINS : Industriale V8.510,V8.540,P710 1974... SEDDON ATKINSON : Truck 16/4 Perkins V8.510 TALBOT : Dodge Tr. KP1000 Perkins V8.540 - DEodge & Commer K500 Perkins V8.510,V8.540 1965-1968 - Dodge&Commer G Commando(100) Perkins V8.540 1974...		5029

FLP	REFERANCCCE	TO FIT:	PICTURE	FLP NR.
5029	7990313 93151104 A504828 A505166 AK-101/1 FP220 FP330 PAD 1216 SP040 SP062 SP063 ULPK0013			5029
5030	1902/5 25061552 351-12151 352-83780 461-240 572-71982 7990046 FP240 PAD 1081 SP105	LISTER PETTER : Industriale Diesel Serie SR		5030
5031	1756/2 25061507 25066063 35218 461-123 7950621 AK-105 PAD 1058 SP112	HYSTER : H40F Perkins 4.203.1 MASSEY FERGUSON Tr. MF 155 Perkins AD4.203 PERKINS : Industriale 4.203,5.203TA,4.192		5031

FLP	REFERANCFE	TO FIT:	PICTURE	FLP NR.
5032	1973 25061542 25061585 25066382 25066388 461-217 461-261 461-314 4880294 508203-2 7971399 7990449 7990219 A504827 A512546/2 D8NN9350 AA D8NN9350 AB FB314 LM831637 PAD 1204 PAD 1206 SP039	BRISTOL : LH Serie Leyland 401,410 CAV : Equipment Leyland OE370,400 FORD : Trattore LEYLAND-ROVER : BX1425,BX20F 6/98 Turbo Diesel - Boxer 6/98 Turbo Diesel 1973... - Buffalo 500 - Bus Clydesdale ECD 23,ECD 27 401 - Bus National 502 - Bus Viking EVK 55 401 - Carro Lynx 26T,28T 500 1970... - Carro Octopus 30T 502 1971... - Carro Reiver 401,410 1971... - Chieftain 410 Turbo - Clydesdale 301 - Industriale 400 con CAV - Industriale 400 (Simms p4654,P4692) - Industriale 500 1971... - Tr. Bison 500 1970... SHELVOKE : Intapak, PT Revopak Leyland 401,410 SISU (VALMET) BX84B0 City Autotel.500 Turbo Leyland VOLVO : Loaders LM621,LM641,LM4300 1979... SP044 SP041		5032
5033	2601 994185 Ak-085	MOTOR IBERICA : Applic. diverse Perkins D3.152		5033
5034	1927/5 276.6585.030 276.6585.11 276.6585.30 6416.6585.07 6585.11 672.6585.030 9.06.232.11 AS-050 POC 105	LOMBARDINI : Industriale Diesel LDA 672,LDA 673 - Industriale Diesel LDA 832,LDA 833 - Industriale Diesel (Gr. 5-7-9-10-11)		5034

FLP	REFERANCCCE	TO FIT:	PICTURE	FLP NR.
5035	1929/5 500.6585.032 6416.6585.27 7984414 9.06.078.11 POC 106	LOMBARDINI : Industriale Diesel 500,520,530 (Gr. 1) - Industriale Diesel 6LD 260 (Gr.6)		5035
5036	1758/2 461-205 7971320	ALSTHOM DIESELAIR : Trattore Agrom 2,3,4,5,6 Cil.		5036
5037	2516/1 AR53567	JOHN DEERE (USA) : Industriale 3,4 Cil. Benz,Diesel (USA)		5037

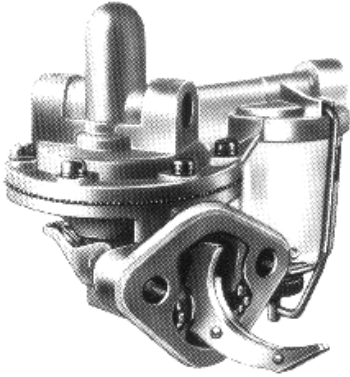
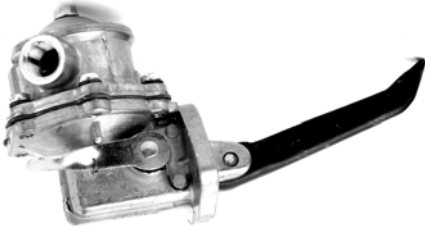

1/8 x 27

FLP	REFERANCC	TO FIT:	PICTURE	FLP NR.
5038	1942/1 25061593 25066397 2641719 2641720 2641729 2641A070 461-310 60251 907073 93151005 FP310 1466951 64800110 ULPK0002 1446951 PAD 1230 SP048 SP123	AVELING BARFORD : Applic. diverse Perkins 6.354.4 BROYT : Escavatore X20,X21 Perkins 6.354.4 COLES CRANES : Mobile Crane R270 Perkins 6.354.4 COMPAIR : Compressore CV 250 Perkins 6.354.4 CONSOLIDATED PNEUMATIC : Compressore 250 CFM Perkins 6.354.4 COVENTRY : DA 7/8 FLT Perkins 6.354.4 DALE ELECTRIC : Generatore elettrico Perkins 6.354.4 DRONNINGBORG : Combine SP Perkins 6.354.4 HANOMAG : Macchina Agricola 33C Perkins 6.354.4 HESTAIR DENNIS : Autocarro Delta 1616 Perkins 6.354.4 HYDROMAC : Escavatore 890 Perkins T6.354.4 Escavatore idraulico H115 Perkins 6.354.4 HYSTER : H150,275,300,350H Perkins 6.354.4 J.C.B. : Tr. 808 Perkins 6.354.4 LANCER BOSS : 700 FLT Perkins 6.354.4 LANDINI : Tr. 10500,12500,13500 Perkins 6.354.4 - Tr. 14500,14500 4RM Perkins 6.354.4 - Tr. MF 1100,1134,14500 Perkins 6.354.4 - Tr. R9500 Mk II 4RM Perkins 6.354.4 LAVERDA : Combine Perkins 6.372.4 LEYLAND-ROVER : Boxer BX18TF,BX19TA,BX19TF Perkins 6.354.4 1972-1983 MASSEY FERGUSON : Tr. MF 1250,2720,530 Perkins 6.354.4 - tr. MF 2620,2640,2680 Perkins 6.354.4 - Tr. MF 2620,2680 Beuvais - Tr. MF RX85 33C, 530 MUIRHILL Tr. Agr. 4RM Perkins 6.354.4 PERKINS : Industriale 6.354.4,T6.354.4 SEDDON ATKINSON Veicolo municipc 200 Export Perkins 6.354.4 SPERRY NEW HOLLAND S/Propelled Bale Wagon Perkins 6.354.4 TALBOT Dodge 100 Perkins T6.354.4 WEATHERHILL : Shovel Loader Perkins 6.354.4 DODGE AS 900		5038
5039	1873/5 2641711 2641A053 2641A073 3118234R91 3637250 3637300 461-259 7990178 AK-064 AK-064/0 AK-064/1 SP019 SP109 ULPK 0003	LANDINI : Tr. 6400,6500 MKII,MKII 4RM Perkins 4.236 - Tr. 6830 Perkins A4.236 - Tr. 7500,7500 4RM Perkins 4.236 - Tr. 8500,8500 4RM Perkins 4.248 MASSEY FERGUSON: 185, 188 Perkins 4/248 Eng.248UA71961 CASE IH 475 Perkins A4.212		5039

NORMAL 4 DELİK gondol dil

FLP	REFERANCCCE	TO FIT:	PICTURE	FLP NR.
5040	2616/1 994096 AK-048/1	MOTOR IBERICA : Industriale Perkins AD4.203TA		5040
5041	2617 994105 AK-060	MOTOR IBERICA : Industriale Perkins 4.203		5041
5042	1911/5 2.4519.120.0 2.4519.140.0 2.4519.150.0 2.4519.180.0 2.4519.200.0 2.4519.200.0/10	LOMBARGHINI : Tr. R1056 Same 6 cil. SAME DEUTZ-FAHR GROUP : Tr. Bufalo 130 6 Cil.1978 - Tr. Drago 6 Cil.1978 - Panther 5 Cil.1978 - tr. Tiger 5 Cil.1978		5042

FLP	REFERANCFE	TO FIT:	PICTURE	FLP NR.
5043	2518/5 4800420 4802838 SP088	IVECO : Autocarro 65.9 8040.5 - Industriale 8040.05.200 - 8040.25.200 - Industriale d.8040.05.200/203/233/290 - Industriale D.8040.25R.230/231/233/234 - Industriale D.8040.25.200/201/202 - Industriale D.804.25.203/207/208 - Industriale D.8040.25.221 /222/ 224/ 225 - Industriale D.8060.05R.206 - D.8060.05.200 e var. - Industriale D.8060.05.248/260/266 - Industriale D.8060.05.280/284/289 - Veicolo 65.12,79.12,79.14		5043
5044	1779/3 25066403 461-246 50.00.044.183 1990084	ALFA ROMEO : Furgone A19 Perkins RENAULT : SG4,SG5 671 1962... SAVIEM (RV) Furgone SB2,SG,I4/5,SM5 712/720 4 Cil - Furgone TP3,TP4 712/720 4 Cil.		5044
			IN= M12x1 OUT= M12x1	
5045	2566 2641A052 93151664 SP066 SP110 SP144	PERKINS : Industriale Serie "1000" DODGE AS 250 KAMYONET Y.M. PHASER		5045

FLP	REFERANCFE	TO FIT:	PICTURE	FLP NR.
5046	1832/1 2641344 461-136 7950624 7950769 SP070	MASEY FERGUSON : MF 1100,1130 Perkins 6AT.354,A.354 - MF 44 Perkins 6A.354,6AT.354 - MF 4488,5400 Perkins 6AT.354,6A.354 - Tr. 400,TX37 Super 90 Perkins 4A.300 1965... PERKINS : Industriale (Diversi) P.4A300,6A354,6AT354 1965...		5046
5047	1969/5 126 0044 126 0140 7.15547.50 KZ 8747-10 PAD 1223	KHD (DEUTZ) : Industriale FL 912,FL912W 1968... -		5047
5048	1899/5 904.6585.002 904.6585.22 9.06.233.11	LOMBARDINI : Industriale Diesel 8LD600,8LD602(Gr8) - Industriale Diesel 904 e derivati		5048

FLP	REFERANCCE	TO FIT:	PICTURE	FLP NR.
5049	2659 8969 RE38009	JOHN DEERE : Industrial 1120-1130-1140-1630-1640 1990.... 1830-1840-2020-2030-2040S 1990.... 2120-2130-2140-3030-3040 1990.... 3120-3130-3140-3640-4040S 1990.... 3 , 4 , 6 Cyl. 1989.... 940-1020-1030-1040 1990....		5049
			IN=DIA 8 OUT= DIA 8	
5050	2674 75714174 75417175 SP172	LISTER PETTER : Industriale LPA2,LPA3 - LPW2,LPW3,LPW4 - Industriale LPWS2,LPWS3,LPWS4		5050
5051	2708 8973 RE55390	JOHN DEERE : Industrial 6.068 H2001 1995.. Tractor Hill Master 6.068 H2001-2054-2054M 1995..		5051

FLP	REFERANCFE	TO FIT:	PICTURE	FLP NR.
5052	2522/5 25066408 2641722 2641722/3 2641A054 3860 461-311 905828 PAD 1266 ULPK 0008 SP069	BALKANCAR : Impex CATERPILLAR : V40-60 C CLARK : C500Y-40-060PD COVENTRY : Mod.DA 2.5 EATON : 3, 4 TON EICHER : Tr.3355, 3356 FENWICK : Applic.diverse HYSTER : H60, 80C MASSEY FERGUSON : Tr.MF 155, 158, 260, 560 PERKINS : Industrial Industrial	Perkins 4.203.2 Perkins 4.203.2 Perkins 4.203.2 Perkins 4.203.2 Perkins 4.203.2 Perkins 4.203.2 Perkins 4.203.2 FRANCE Perkins 4.203.2 Perkins D4.203 4.203.2 D4.203	 5052
5053	1904/3 461-286 50.00.048.052 50.00.049.965 50.00.592.528 50.00.592.767 7990485 PL 3951 PON 119	SAVIEM (RVI) : Serie J,JK60,JK65,JK75 720 4 Cil.	 5053	
5054	2698 2641A068 2641A075 ULPK0015 SP126 SP133 AK 151	PERKINS : Industriale 1006T (6cil. turbo)	 5054	

FLP FUEL PUMPS & FEED PUMPS

2004

POMPA DI ALIMENTAZIONE - FUEL PUMP - POMPE D'ALIMENTATION - KRAFTSTOFFPUMPE - BOMBA DEALIMETACION

FLP	REFERANCCE	TO FIT:	PICTURE	FLP NR.
5055	1745/2 25066034 2641376 461-144 7950833	DENNIS : Heron Chassis Perkins 4.203 1965...		5055
5056	2669 RTC 6180 ETC 7869 25066223 461-383 93151739 SP166	LAND ROVER DISCOVERY TURBO DIESEL 2.5 300 serii 10/1989.....		5056
5057	ERR 5057 01418264 93152687 SP167	LAND ROVER DISCOVERY TURBO DIESEL 2.5 300 seri		5057

IN=DIA 8 OUT=DIA 8

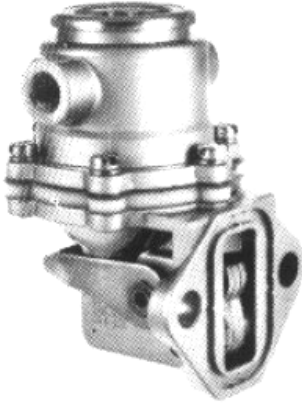
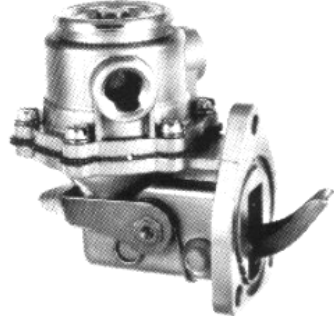

FLP FUEL PUMPS & FEED PUMPS




2004

POMPA DI ALIMENTAZIONE - FUEL PUMP - POMPE D'ALIMENTATION - KRAFTSTOFFPUMPE - BOMBA DEALIMETACION

FLP	REFERANCCE	TO FIT:	PICTURE	FLP NR.
5058	3904374 3928143 610848 7971274 93151274 CBU 1099 J904374 2660 SP129	CUMMINS : Industrial SERI "B" DAF : F 1000 CT Turbo Cummins 5,9 Diesel INTERNATIONAL HARVESTER : Cummins 6TA 590		5058
			IN= 1/4 NPTF OUT=M14x1,5	
5059	RE27667 RE42211	JOHN DEERE : Industrial 1120-1130-1140-1630-1640 1990.... 1830-1840-2020-2030-2040S 1990.... 2120-2130-2140-3030-3040 1990.... 3120-3130-3140-3640-4040S 1990.... 3, 4 , 6 Cyl. 1989.... 940-1020-1030-1040 1990....		5059
5060	1774/5 461-233 715F9350AA 7990020 A505117/2 PON 117	CAV : Industrial Ford Transit ...5/1972 FORD (EUROPA): Transit Furgone 2400 Diesel ...5/1972 Transit Furgone 6 Cyl.Diesel 1972...		5060

FLP	REFERANCFE	TO FIT:	PICTURE	FLP NR.
5061	1910/5 003.8319.6 2.4519.160.0 2.4519.190.0 2.4519.190.0/10 9.06.069.11 26519300 SP051	ITMA : Tr. A352 Same 2 Cil. - Tr. Same 3 Cil. LOMBARDINI : Tr. C553,C653 Same 3 Cil. - Tr.R235 Same 2 Cil. - Tr. R654,R854 same 4 Cil. SAME DEUTZ-FAHR GROUP : Tr. Aurora,Minitauro 3 Cil. - Tr. Corsaro,Falcon,Falcon C 4 Cil. - Tr. Delfino,Sirenetta 2 Cil. - Tr. Saturno 4 Cil.		5061
5062	1941/5 25061574 25066418 2641706 2641723 2641809 43/002 74800012-0 74800019-0 7990347 994275 AK-099/0 461-303 SP089	NISSAN (DATSUN) : Ebro Patrol 2700 Diesel P.MD 270 (SPAGNA) PERKINS : All Volkswagen 4.165 - Industriale 4.165 (Spagna) VOLKSWAGEN : Furgone 230/313 Diesel Perkins 4.165 - Furgone LT28D,LT31D,LT35D Perkins 4.165		5062
5063	2523 25061571 25066391 394-11131 461-313 7990315 PAD 1247	DORMAN : "L" Range Eng.		5063

FLP	REFERANCCCE	TO FIT:	PICTURE	FLP NR.
5064	2532/5 4850.47 6585.055	SLANZI : Industriale Applic. diverse		5064
5065	2558 30332 30333 50030332	CARRARO : Carro 4500 CS 285,315,425,505,575 - Industriale 285,315,430,515,340 - Industriale 450DT,45DT,454,455C,500 1966-1968 - Tr. 502,504 285 1973... - Tr. 602,604 315 1973... - Tr. 650 DT,655 CL 425 1973... - Tr. 702,704 505 1973... - Tr. 952,954 575 1973... - Victory 7100 N & 4 RM 425 - Victory 7500 N 4RM 505 - Victory 9800 DF & 8800 575		5065
5066	2568 25061616 25066419 2641726 461-346 93151295 SP068 SP122	PERKINS : Industriale G4.236 Benzina		5066

FLP	REFERANCFE	TO FIT:	PICTURE	FLP NR.
5067	2604 10940 1884857 212659 25061535 25066426 461-152 461-208 7950390 7950993 7971355 SP046	ALLIS-CHALMERS (USA) : Tr. ED40 1970... BOND : Bug 1973... RELIANT : Robin MASSEY FERGUSON FE 35 23C Engine		5067
5068	2614 74800022-0 994184 994294 AK-084 ULPK0031	MOTOR IBERICA : Industriale Perkins 3.152		5068
5069	2648 8284989	BALKANCAR : Carrelli elevatori		5069

IN= M12x1,25 OUT= M12x1,25

FLP	REFERANCCE	TO FIT:	PICTURE	FLP NR.
5070	2649 77.00.736.664 8714 PBS 233	RENAULT : R4 L,TL 1120 CIC 708 7/1986...		5070
5071	2652 115.6585.076.8	LOMBARDINI : Industriale LDW 1204 1992-1997		5071
5072	2653 549761-F2	SANTANA : Land Rover 110 2500 DC-DL Benzine		5072

FLP	REFERANCCCE	TO FIT:	PICTURE	FLPNR.
5073	2654 25061527 25066025 3851 461-181 536146 563146 7971192 AH-011/1 PON 107 PAD 1102 SP099	ROVER : 110 2300 Diesel 1983-1984 - 88 & 109 IIA 2 1/4 L. Diesel (Suffix K) 1961-1971 - 88 & 109 III 2 1/4 Lit. Diesel SANTANA : Land Rover 90,110 2500 Diesel DC-DL		5073
5074	2664 625.6585.079	LOMBARDINI : Industriale Gruppo 11		5074
5075	2671 201-45342 201-45345 201-46293 201-46298 207-45345	LISTER PETTER : Industriale Serie T: TS2,TS3		5075

FLP	REFERANCCCE	TO FIT:	PICTURE	FLP NR.
5076	2673 374160 374170	LISTER PETTER : Industriale Serie A: AC1,AD1		5076
5077	2675 Rif non noti	VETUS : Marino Mitsubshi K4E - Marino Peugeot XD3P10,20,33,75H	 IN= M12x1 OUT= M12x1	5077
5078	2678 99437046	IVECO Industriale D.8060.25V4740		5078

FLP	REFERANCCCE	TO FIT:	PICTURE	FLP NR.
5079	2697 2641A057 2641A067 3641402 3637290 U5LPK005	MASSEY FERGUSON : MF 6130 Perkins 1004 4.40 PERKINS : Industriale 1004 4.40		5079
5080	2699 2641337	PERKINS : Industriale		5080
5081	2704/1 99485050	IVECO Industriale "hitachi" Diesel 8045.25.282...291		5081

FLP	REFERANCCCE	TO FIT:	PICTURE	FLP NR.
5082	2707/1 117.6585.093 117.685.096	LOMBARDINI : Industriale LDW 1204 P,1404 P(Piaggio) 1998... PIAGGIO : Porter Diesel Lombardini LDW 1404 1998...		5082
5083	7990268 SP049C 7990114 SP054C	PERKINS 4/236 , C4/236 MASSEY FERGUSSON : Escavatore MF 350,W350,MF487 Perkins 4.248 - MF 11 Shavel Loader Perkins 4.248 - MF 165 Combine Perkins 4.212 - Tr. Industr. MF 30/50 Perkins 4.212 - Tr. MF 168 Narrow Perkins 4.236 - Tr. MF 168,168 Mk. III/168F Perkins 4.236 - Tr. MF 175/175S,175/178 Perkins 4.236 - Tr. MF 178 Perkins 4.248 - Tr. MF 185,188,194 Perk.4.248 248UA71961... -Tr. MF 186 Combine Perkins 4.212 - Tr. MF 206,307 Comb.harvester Perkins 4.236 - Tr. MF 265,274,275 Perkins 4.236 - Tr. MF 285,290 Perkins 4.248 - Tr. MF 300,33 Perkins 4.248 - Tr. MF 50 Phase II Skid Perkins 4.212 - Tr. MF 50,50B Industr. TDL Perkins 4.236 - Tr. MF 565,575 Perkins 4.236 - Tr.		5083
5084	2642952	BALKANCAR FORKLIFT D 3900 40TB		5084

M12 x 1,25

FLP	REFERANCCCE	TO FIT:			PICTURE	FLP NR.
5085		BALKANCAR	FORKLIFT			5085
					M12 x 1,25	
5086	2642953	BALKANCAR	FORKLIFT	3.152		5086
		D 2500	40TB			
					M12 x 1,25	
5087		BALKANCAR	FORKLIFT	3.152		5087
					M12 x 1,25	

FLP	REFERANCCCE	TO FIT:		PICTURE	FLP NR.
5088		BALKANCAR	FORKLIFT		5088
				M12 x 1,25	
5089		BALKANCAR	FORKLIFT	3.152	5089
					
				M12 x 1,25	
5090	2641911	BALKANCAR	FORKLIFT		5090
		D 2500	20TB		
				M12 x 1,25	

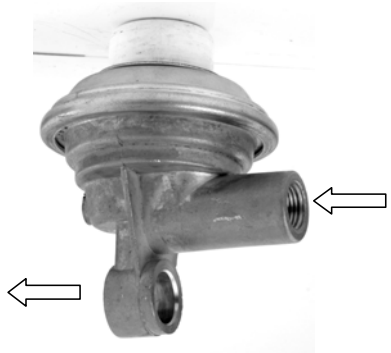
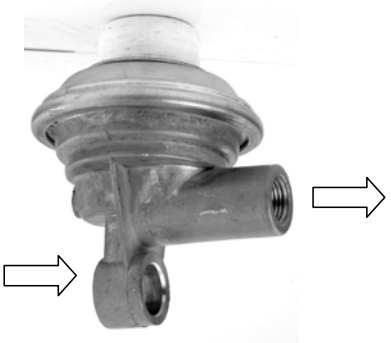
FLP	REFERANCCCE	TO FIT:	PICTURE	FLP NR.
5091		BALKANCAR FORKLIFT	 <p data-bbox="959 772 1088 801">M12 x 1,25</p>	5091
5092	93151222 461-333	CAV DIESEL INJECTORS CAV Injection 514333-2	 <p data-bbox="959 1438 1082 1467">4 delik xvz</p>	5092
5093				5093

FLP FUEL PUMPS & FEED PUMPS



2004


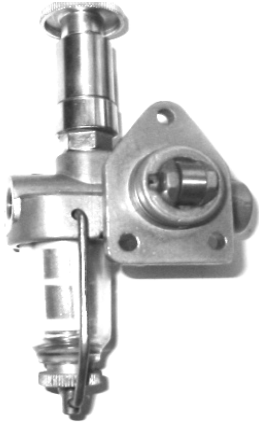
POMPA DI ALIMENTAZIONE - FUEL PUMP - POMPE D'ALIMENTATION - KRAFTSTOFFPUMPE - BOMBA DE ALIMENTACION



FLP	REFERANCCE	TO FIT:	PICTURE	FLP NR.
5094				5094
5095				5095
5096				5096




FLP	REFERANCCE	TO FIT:	PICTURE	FLP NR.
4100	6223001 SP086	HAND PRIMER BANJO TO THREADED PORT M 14 x 1.5		4100
4101	755F9A384AA SP094	HAND PRIMER THREADED PORT TO BANJO 1/2" x 20 UNF FORD TRANSIT 2.4		4101
4102	844F9A384AA SP095	HAND PRIMER THREADED PORT TO BANJO M14 x 1.5 FORD TRANSIT 2.5		4102

FLP	REFERANCCCE	TO FIT:	PICTURE	FLP NR.
163		DIAPHRAGM	MF 165 4 DELIK 	163
164		DIAPHRAGM	BMC 	164
165		DIAPHRAGM	FIAT 	165
166		DIAPHRAGM	FORD 	166

FLP	REFERANCCCE	TO FIT:	PICTURE	FLP NR.
167		DIAPHRAGM		167
168		DIAPHRAGM		168
169		DIAPHRAGM		169
170		DIAPHRAGM		170

FLP	REFERANCCCE	TO FIT:	PICTURE	FLP NR.
10001	0 440 003 185 FP/KE 22 AD 247/2 0 440 003 188 FP/KE 22 AD 174/2 0 440 003 204 FP/KE 22 AD 252/4 0 440 003 230 FP/KE 22 AD 293/4 0 440 003 177 FP/KE 22 AD 240/2 0 440 003 190 FP/KE 22 AD 223/2 0 440 003 091 FP/KE 22 AD 223/4 0 440 003 203 FP/KE 22 AD 252/2 0 440 003 226 FP/KE 22 AD 287/2 0 440 003 236 FP/KE 22 AD 305 0 440 003 193 1 440 003 195 900185 900177 900190 250/AD	BERLIET DAF FAUN FIAT HANOMAG IHC KHD MAN MERCEDES MTU MWM RENAULT RENAULT-SAVIEM SAVIEM VOLVO		10001
10002	0 440 003 176 FP/KE 22 AD 112/2 0 440 003 182 FP/KE 22 AD 190/3 0 440 003 233 FP/KE 22 AD 301/2 0 440 003 237 FP/KE 22 AD 307 0 440 003 148 FP/KE 22 AD 202/2 0 440 003 186 FP/KE 22 AD 254/2 0 440 003 184 0 440 003 093 1 440 003 195 1 440 003 197 1 440 003 198 1 440 003 199 FP/KE 22 AD 249/2 0 440 003 202 0 440 003 205 0 440 003 206 0 440 003 207 0 440 003 210 0 440 003 211 FP/KE 22 AD 283/2 0 440 003 223 900176 900186 0 440 003 238 250/ADB	BERLIET DAF FIAT KHD MAN MERCEDES RENAULT RENAULT-SAVIEM SAVIEM STIYR UNIC VOLVO		10002

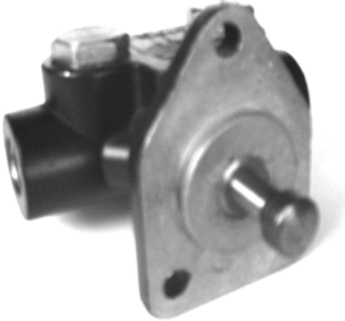


FLP	REFERANÇE	TO FIT:	PICTURE	FLP NR.
10003	<p>0 440 003 245 FP/KEG 22 AD 198/2 900238 0 440 008 068</p>	<p>IVECO MAN MERCEDES BENZ RENAULT</p>		
			pimli şişesiz	
10004	<p>0 440 003 240 0 440 003 998 900240</p>	<p>MERCEDES BENZ 0302 OM 352A MAN 5.20-535 HD 32240-20,192</p>		10004
10005	<p>0 440 008 027 FP/K 22 P29 0 440 008 043 FP/K 22 P44 900017 900883 250/PBS</p>	<p>KASSBOHRER 8312000572 MERCEDES 0010918401, 0020914901</p>		10005
			V8 uzun dil soldan şişe	

FLP	REFERANCCE	TO FIT:	PICTURE	FLP NR.	
10006	0 440 008 007 FP/K 22 P9 0 440 008 029 FP/K 22 P31 0 440 008 037 FP/K 22 P39 0 440 008 045 FP/K 22 P46 900007 900029 250/P	DAF FIAT KHD MACK MAN MERCEDES MWM RENAULT SCANIA UNIC VOLVO		10006	
10007	0 440 008 003 FP/K 22 P5 0 440 008 046 FP/K 22 P49 0 440 008 035 FP/K 22 P37 900003 250/PB	DAF FIAT-LANCIA HENSCHEL KHD MAN MERCEDES RENAULT SAURER STIYR UNIC		10007	
10008	0 440 008 004 FP/K 22 P6 900004 250/PB1	SCANIA VOLVO	211005 240072		10008

uzun dil

uzun dil



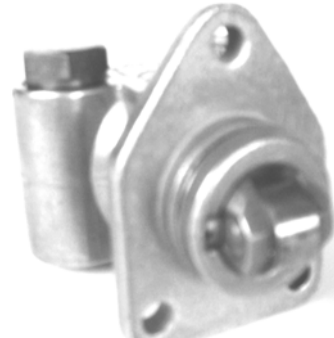
uzun dil ilave şişeli

FLP	REFERANCCCE	TO FIT:	PICTURE	FLP NR.
10009	0 440 003 239 0 440 003 245 900239 900245	IVECO MAN MERCEDES BENZ RENAULT		10009
10010	0 440 008 009 FP/K 22 P11 0 440 008 019 FP/K 22 P21 0 440 008 006 FP/K 22 P7 900009 250/P1	RENAULT B70-G, GBH 280 MAN SR 321		10010
10011	0 440 003 178 FP/KE 22 AD 241/2 0 440 003 180 FP/KE 22 AD 198/2 0 440 003 200 0 440 003 201 FP/KE 22 AD 250/4 0 440 003 234 FP/KE 22 AD 303 900178 900180 250	FIAT KHD MAN		10011




pimli elciksiz

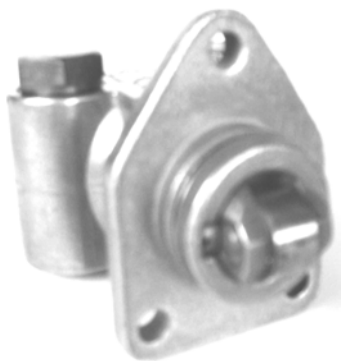
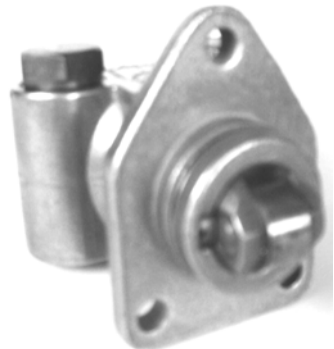
uzun dil


kısa dil

FLP	REFERANCC	TO FIT:	PICTURE	FLP NR.
10012	<p>0 440 003 183 FP/KE 22 AD 243/2 0 440 003 189 FP/KE 22 AD 174/4 0 440 003 224 FP/KE 22 AD 284/2 0 440 003 229 FP/KE 22 AD 291/2 900183 900229 250/B</p>	<p>MAN MERCEDES RENAULT-SAVIEM</p>		10012
10013	<p>0 440 004 017 FP/KS 22 AD 5 0 440 004 018 FP/KS 22 AD 6 0 440 004 020 FP/KS 22 AD 6/4 0 440 004 026 0 440 004 027 FP/KS 22 AD 15 0 440 004 028 FP/KS 22 AD 16 0 440 004 029 0 440 004 030 FP/KS 22 AD 25/4 0440 004 042 FP/KS 22 AD 31/2 0 440 004 064 0 440 004 034 FP/KS 22 AD 26/4 0 440 004 043 FP/KS 22 AD 6/2 0 440 004 068 FP/KS 22 AD 53/4 900043 250/SM</p>	<p>BERLIET 3020501 FIAT 764954, 9018634, 9928977 HANOMAG 153178004 IHC 711086R92, 3550549, 01441724410 KHD 1287489 MAN 51121017009 MERCEDES 0010910401, 0020913101, 0010918301 0010918401, MASSEY FERGUSON 2668300M1 MWM 605202000021 RENAULT 7701006410, 0024571084, 0122910100 0003020501 SAVIEM 24571084, 870363800 UNIC 009928977 VOLVO 241380</p>		10013
10014	<p>0 440 004 045 FP/KS 22 AD 5/2 0 440 004 051 FP/KS 22 AD 35/2 0 440 004 038 FP/KS 22 AD 29/4 250/SM2</p>	<p>KDH MAN SG 192, SL 192 MERCEDES BENZ MTU RENAULT STEYR Super 545</p>		10014

kısa dil

FLP	REFERANCCE	TO FIT:	PICTURE	FLP NR.
10015	0 440 008 015 FP/K 22 P 17 0 440 008 033 FP/K 22 P 35 0 440 008 047 FP/K 22 P 50 250/P17	MACK ALLIS CHALMERS		10015
10016	0 440 008 017 FP/K 22 P 18 0 440 008 013 FP/K 22 P 15 250/P18	ALLIS CHALMERS UNIC		10016
10017	0 440 008 016 FP/K 22 P 19 0 440 008 012 FP/K 22 P 14 0 440 008 032 FP/K 22 P 34 250/PB14	MAN		10017

FLP	REFERANCCE	TO FIT:	PICTURE	FLP NR.
10018	0 440 008 014 FP/K 22 P 16 250/PB16	MAN KHD STIYR		10018
10019	0 440 004 023 FP/KS 22 AD 12 0 440 004 025 FP/KS 22 AD 13 0 440 004 056 FP/KS 22 AD 13/2 0 440 004 057 FP/KS 22 AD 40/2 350/AD1	MERCEDES KHD		10019
10020	0 440 017 010 FP/K22 MW1 250/MW1	KHD 4145145		10020



FLP	REFERANCCCE	TO FIT:	PICTURE	FLP NR.
10021	0 440 004 021 FP/KS 22 AD 10 0 440 004 048 FP/KS 22 AD 10/4 0 440 004 041 FP/KS 22 AD 10/3 350/AD	VM MWM RENAULT		10021
10022				10022
10023				10023

FLP	REFERANCFE	TO FIT:	PICTURE	FLP NR.
10300	<p>0 440 011 007 0 440 011 009 FP/AH 3/10 0 440 011 010 FP/AH 3/11 9368 901007 042 066 007</p>	<p>MERCEDES KHD</p>		<p>10300</p>
10301	<p>0 440 011 006 042 066 008 9380 042 066 008</p>			<p>10301</p>
10302	<p>0 440 011 002 042 066 002 901002</p>			<p>10302</p>

FLP	REFERANCCCE	TO FIT:	PICTURE	FLP NR.
10303	2 447 222 000 2 447 222 099 820635 9411			10303
10304	2 447 010 033 821176			10304
10305	1 457 434 000 080 B 060 489 000 800058 f	NYLONFILTER		10305

FLP	REFERANCCE	TO FIT:	PICTURE	FLP NR.
10306	2 247 010 003 800034			10306
10307	2 459 999 002 830065	GLASS		10307
10308	2 440 109 005 810053	RUBBERSEAL		10308

FLP	REFERANCCE	TO FIT:	PICTURE	FLP NR.
10309	1 457 434 000 800058	PREFILTER W/GLASS		10309
10310	2 447 010 027 800081	CLIP		10310
10311	2 443 203 001 830044	VALVE BROWN LAPED SURFACE ONE GROOVES 1 PCS.		10311

FLP	REFERANCCCE	TO FIT:		PICTURE	FLP NR.
10312	2 447 010 011 830229	VALVE KIT	TWO VALVE TWO SPRING		10312
10500		VALVE AC TYPE			

FLP	REFERANCCCE	TO FIT:		PICTURE	FLP NR.
7000	5836B325 883786M91 5836080	FUEL FILTER SINGLE	1/2" x 20 UNF		7000
7001	5836B710 886373M91	FUEL FILTER SINGLE	1/2" x 20 UNF		7001
7002		FUEL FILTER SINGLE	1/2 x 20 UNF		7002

FLP	REFERANCCE	TO FIT:	PICTURE	FLP NR.
7003	5836B100	FUEL FILTER SINGLE 1/2 x 20 UNF		7003
7004	7111-353BV 18902181M1	FUEL FILTER CAP SINGLE 1/2 x 20 UNF		7004
7005	7111-353BR 1895160M1M	FUEL FILTER CAP DOUBLE 1/2 x 20 UNF		7005

FLP	REFERANCCCE	TO FIT:		PICTURE	FLP NR.
7006	FH 51 5845B215 5845B160	FUEL FILTER DOUMLE DEEP GLASS BOWL DEEP METAL BOWL	1/2 x 20 UNF		7006
7011	5838B185 4616707	FUEL FILTER SINGLE	M14 x 1.5		7011
7012	5836B100	FUEL FILTER SINGLE	M14 x 1.5		7012

FLP	REFERANCCCE	TO FIT:	PICTURE	FLP NR.
7013	5836B240 4612229	FUEL FILTER SINGLE M14 x 1.5		7013
7014	7111-353AS 9918117	FUEL FILTER CAP SINGLE M14 x 1.5		7014
7015	7111-353BH FH 53 9923018	FUEL FILTER CAP DOUBLE M14 x 1.5		7015

FLP	REFERANCCCE	TO FIT:		PICTURE	FLP NR.
7016	5848B010 4659288	FUEL FILTER DOUBLE	M14 x 1.5		7016
7017		FUEL FILTER SINGLE	M14 x 1.5		7017
7020		FUEL FILTER DOUBLE FOR JOHN DEERE			7020

FLP	REFERANCCCE	TO FIT:	PICTURE	FLP NR.
7021		FUEL FILTER W/GLASS M12 x 1.25		7021
7022		FUEL FILTER SINGLE W/METAL M12x1.25		7022
7023		FUEL FILTER SINGLE M12x1.25		7023

FLP	REFERANCCE	TO FIT:	PICTURE	FLP NR.
7024		FUEL FILTER W/DEEP GLASS M12x1.25		7024
7025		FUEL FILTER DOUBLE M12x1.25		7025
7026				7026

FLP	REFERANCCE	TO FIT:	PICTURE	FLP NR.
7028	7111-479A	FILTER GLASS BASE STUD 3 Pcs. 7111-479A BASE STUD 7111-740 DRAIN PLUG KITS (PLASTIC) 7111-860 CENTRE BOLD		7028
7029	7111-542	METAL BOWL		7029
7030	7111-511	DEEP METAL BOWL		7030



FLP	REFERANCCCE	TO FIT:		PICTURE	FLP NR.
7031 7032	7111-429	CUP GLASS BOWL	19 mm 9 mm		7031 7032
7036 7037	7111-403	DEEP GLASS BOWL	16 mm 25 mm		7036 7037
7042		FUEL FILTER GLASS			7042

FLP	REFERANCCCE	TO FIT:	PICTURE	FLP NR.
7043		GLASS		7043
7045	7111-433	FUEL FILTER 1/2 x 20 UNF R>>L		7045
7046	1028371R	M14 x 1.5 R<<L		7046
7047	1028371/1R	M14 x 1.5 R<<L DEEP THREAD		7047
7100	5845B560 NRC9708	WATERTRAP 1/2 x 20 UNF		7100

FLP	REFERANCCCE	TO FIT:		PICTURE	FLP NR.
7101		WATERTRAP	M14 x 1.5		7101
7103	5836B120 1695571M1	WATERTRAP	1/2 x 20 UNF		7103
7104	5838B040	WATERTRAP	M14 x 1.5		7104

FLP	REFERANCFE	TO FIT:	PICTURE	FLP NR.
7105		WATER TRAP M12 x 1.25		7105
7106		WATER TRAP 1/2 x 20		7106
		WATER TRAP M14 x 1.5		7107

FLP	REFERANCCCE	TO FIT:	PICTURE	FLP NR.
7200	9001-742B 840281	PEUGEOT	 <p>L > R</p>	7200
7201	9001-742A 840282	FORD SIERRA 2.3	 <p>R > L</p>	7201
7202		FORD ESCORT 1.8 SIERRA 1.8 MONDEO	 <p>BOTTOM > TOP</p>	7202
7203		UNIVERSAL		7203

FLP	REFERANCCE	TO FIT:	PICTURE	FLP NR.
7204		FILTER COMPLETE PEUGEOT		7204
7205		FILTER COMPLETE FORD SIERRA 2.3		7205
7206	R6260B741B	FILTER COMPLETE FORD ESCORT 1.8 SIERRA 1.8 MONDEO		7206
7207		UNIVERSAL FILTER COMPLETE		7207

L > R

R > L

BOTTOM > TOP

FLP	REFERANCCCE	TO FIT:	PICTURE	FLP NR.
7210	0 450 133 013 NTC 1518 4832331	FUEL FILTER CAP 1/2 UNF IVECO 85-12 M14 X 1.5		7210
7211		FUEL FILTER COMPLETE 1/2 UNF		7211
7215		FUEL FILTER COMPLETE W/HAND PRIMER		7215
7500	898540M91 7950929	TAP (MASSEY FERGUSON 135, 148, 240)		7500

FLP	REFERANÇE	TO FIT:	PICTURE	FLP NR.
7501	1851653M91 7950545	TAP (MASSEY FERGUSON 65, 165, 175, 185)	 <p>SAĞA DÖNÜK</p>	7501
7502	898580M91	TAP (MASSEY FERGUSON 65, 165, 175, 185)	 <p>SOLA DÖNÜK</p>	7502
7503	D2NN9N024 D8NN9N024AB	TAP (FORD TRACTOR ALL MEDELS)		7503

FLP FUEL PUMPS & FEED PUMPS

2004

POMPA DI ALIMENTAZIONE - FUEL PUMP - POMPE D'ALIMENTATION - KRAFTSTOFFPUMPE - BOMBA DE ALIMENTACION

FLP	REFERANÇE	TO FIT:	PICTURE	FLP NR.
9500		FILTER COMPLETE DOUBLE 1 KG.		9500
9501		FILTER COMPLETE DOUBLE 1/2 KG		9501
9600		ANBLEM IMP ALL MODEL		9600

AC	LP	AC	FLP	AC	FLP	BCD	FLP
461-110	4003	461-283	4002	461-95	3049	2697	5079
461-112	4018	461-284	4002	461-96	4043	2698	5054
461-113	3006	461-285	3007			2699	5080
461-114	5008	461-286	5053			2705	4011
461-132	4008	461-287	4022			2708	5051
461-133	4048	461-29	3015			1009/5	4026
461-136	5046	461-3	3017			1529/1	5013
461-137	5028	461-303	5062			1533/2A	5011
461-138	5013	461-310	5038			1535/2	4007
461-144	5055	461-311	5052			1549/1	4005
461-147	4017	461-312	5004	BCD	FLP	1647/1	4003
461-148	5025	461-313	5063	1548	5010	1662/7	4000
461-149	5024	461-314	5032	1686	4006	1678/2	5028
461-152	5067	461-319	3026	1796	5029	1687/1	4008
461-159	4005	461-32	3016	1812	5001	1693/1	4021
461-160	5009	461-320	3026	1822	5023	1695/1	5002
461-161	4021	461-321	3026	1823	5024	1745/2	5055
461-164	5010	461-322	3026	1858	4002	1752/1	5014
461-165	5002	461-330	5029	1881	5025	1756/2	5031
461-167	5001	461-333	5092	1973	5032	1758/2	5036
461-168	5023	461-335	3007	1987	5004	1774/5	5060
461-169	4001	461-346	5066	2192	3009	1778/5	3003
461-170	4007	461-353	3038	2513	5017	1779/1	5020
461-171	4007	461-358	4029	2514	5018	1779/3	5044
461-174	3001	461-36	3026	2523	5063	1808/5	5008
461-175	5014	461-363	4032	2549	3012	1828/5	3018
461-176	4009	461-37	3003	2558	5065	1832/1	5046
461-179	5011	461-38	4036	2560	4013	1855/6	4001
461-181	5073	461-383	5056	2566	5045	1863/1	5027
461-184	5001	461-385	3015	2567	5003	1864/7	4040
461-187	3007	461-386	4018	2568	5066	1865/6	4041
461-193	5027	461-4	3005	2573	4018	1866/7	4042
461-194	3007	461-404	4047	2574	3006	1867/7	3045
461-197	3007	461-41	4036	2575	4047	1868/7	3046
461-2	3037	461-45	4041	2576	5009	1870/1	4017
461-205	5036	461-47	4027	2601	5033	1873/5	5039
461-207	5005	461-48	4039	2604	5067	1875/6	3016
461-208	5067	461-5	3005	2614	5068	1876/5	3030
461-213	5029	461-50	4031	2617	5041	1877/1	4009
461-217	5032	461-52	4043	2621	4020	1886/5	4012
461-22	4035	461-53	4039	2623	4045	1889/5	3015
461-220	5029	461-54	4033	2624	3010	1891/7	4024
461-229	4012	461-56	3031	2627	3011	1892/7	4025
461-23	4025	461-57	4036	2636	3035	1895/7	3026
461-233	5060	461-58	4035	2645	3034	1896/5	3007
461-240	5030	461-6	3036	2648	5069	1899/5	5048
461-246	5020	461-60	3030	2649	5070	1902/5	5030
461-25	4042	461-63	3018	2652	5071	1904/3	5053
461-251	5003	461-66	5016	2653	5072	1905/5	5022
461-259	5039	461-69	4035	2654	5073	1910/5	5061
461-26	4040	461-72	4034	2658	4015	1911/5	5042
461-261	5032	461-73	4038	2659	5049	1925/6	3042
461-263	5028	461-78	3046	2663	4014	1924/5	3053
461-264	5003	461-80	4029	2664	5074	1927/5	5034
461-267	5025	461-81	3031	2669	5056	1928/5	5012
461-269	5029	461-83	3029	2671	5075	1929/5	5035
461-27	3016	461-84	4023	2673	5076	1937/7	4035
461-276	4006	461-85	4023	2674	5050	1938/7	4036
461-28	3015	461-86	4029	2675	5077	1939/7	4037
461-281	4025	461-9	3039	2678	5078	1941/5	5062
461-317	4013	461-94	3029				

BCD	FLP	BCD	FLP	AC (o.e.)	FLP	AC (o.e.)	FLPA
1942/1	5033			7950618	5011	7971405	5029
1943/1	5016			7950621	5031	7971463	3007
1944/7	3054			7950624	5046	7990020	5060
1945/7	3055			7950636	5009	7990046	5030
1946/5	5021			7950695	3007	7990084	5020
1947/5	5007			7950729	5010	7990114	5003
1948/5	4019	AC (o.e.)	FLP	7950730	4008	7990178	5039
1949/5	4004	3489001	4029	7950732	4021	7990219	5032
1950/7	4039	3489002	4029	7950746	5023	7990265	5028
1951/7	4043	3489003	3029	7950764	4008	7990268	5003
1954/7	3044	5506901	4036	7950765	4008	7990271	5025
1956/6	4027	5506910	4042	7950766	4008	7990313	5029
1958/5	5026	5506911	4040	7950768	4008	7990315	5063
1961/7	4033	5506912	3031	7950769	5046	7990347	5062
1964/5	5019	5506913	3016	7950770	5028	7990361	4006
1969/5	5047	5506914	3015	7950771	5013	7990395	4012
1972/7	3056	5506915	3015	7950773	4007	7990439	4002
1977/7	4031	5506918	3016	7950833	5055	7990440	4002
1978/7	4030	5506923	3026	7950885	4017	7990448	3007
1986/5	3029	5506924	3003	7950899	5025	7990449	5032
1995/6	3031	5506925	4036	7950901	5024	7990485	5053
1997/7	4038	5506932	4036	7950948	4021	7990486	4022
2003/5	3014	5506938	4041	7950993	5067	91145753	4013
2110/5	3032	5506940	4027	7971020	4005	93151005	5038
2125/6	3008	5506941	4039	7971021	5009	93151022	5052
2137/6	3036	5506943	4031	7971025	4021	93151041	4013
2138/5	3037	5506948	4043	7971028	5010	93151069	5004
2146/5	3005	5506950	4039	7971029	5011	93151089	3026
2151/5	3039	5506951	4033	7971038	5002	93151104	5029
2154/5	3041	5506955	4034	7971040	5001	93151129	3026
2156/5	3017	5506956	3029	7971043	5023	93151159	3026
2161/5	3038	5506959	4038	7971051	4001	93151171	3026
2173/5	3040	5506960	4035	7971072	4007	93151222	5092
2194/2	3019	5506961	4023	7971073	4007	93151274	5058
2516/1	5037	5506967	4029	7971111	3001	93151295	5066
2518/5	5043	5506971	3031	7971116	5014	93151341	3007
2522/5	5052	5506975	4023	7971116	5014	93151428	3026
2526/7	4034	5507913	3018	7971135	4002	93151488	4029
2532/5	5064	5507919	5016	7971135	4002	93151614	5045
2548/6	3049	5507933	3005	7971139	4009	93151664	5045
2550/7	3048	5507934	3039	7971160	4006	93151739	5056
2553/6	3043	5507939	3008	7971160	4006	93151803	4023
2555/6	4046	5507940	3026	7971183	5011	93151848	4015
2567/1	4023	7950065	4001	7971183	5011	93152687	5057
2571/7	4029	7950146	4047	7971192	5073	93201157	4028
2577/1	4022	7950188	4001	7971192	5073		
2587/1	3028	7950300	4007	7971233	5001		
2593/1	3047	7950308	4003	7971233	5001		
2594/7	4028	7950390	5067	7971241	3007		
2612/2	4044	7950426	4001	7971262	5027		
2616/1	5040	7950427	4003	7971263	3007		
2628/1	3057	7950432	5013	7971274	5058		
2633/1	3058	7950445	4018	7971280	3007		
2638/1	4032	7950446	3006	7971294	5024		
2704/1	5081	7950454	5008	7971320	5036		
2707/1	5082	7950461	5022	7971330	5005		
		7950499	5028	7971355	5067		
		7950500	4005	7971392	5029		
		7950540	5002	7971399	5032		
		7950598	4008				

AEC	FLP	BMW	FLP	CARTER	FLP	CITROEN	FLP
78-1113	4008	1331 1265 192	3055	60252	5028	95495198	3018
78-1114	5028	1331 1265 192	3055	60368	4023	95496014	4034
79-1113	5028	1331 1261 622	3055	60369	4023	95585841	4034
		1331 1265 192	3055	610848	5058	95648551	4041
AGRITALIA	FLP	1331 1265 193	3054	6782	4035	96123550	3028
50030332	5065	1331 1274 742	3057	6783	4035	A 173 04	3018
		1331 1276 550	3057	MS-60368-S	4023	A 173 AD	3018
		1331 1280 956	3056	MS-60495-S	3029	A 173 O	3018
AUDI	FLP	1331 1287 333	3058	MS-60496-S	3003	A 173 OA	3018
LM831637	5032	1331 1325 064	3055	MS-6782-B	4028	A 1734	3018
		1331 1325 235	3055			AM 173 OA	3018
						AM 173 OC	3018
AUDI	FLP					AY 173 O	3018
026 125 025 A	3051					AY 173 OA	3018
052 127 025 C	3046					AY 173 OC	3018
052 127 025 E	3046					AY 1730	3018
052 127 025 M	3046			CAV	FLP	AY 1730 A	3018
056 127 025 A	3050			A505117-2	5060	AY 1730 RP	3018
056 127 025 B	3050			A505166	5029	DM 1730 C	3018
056 127 025 C	3050			A506401-2	4012	DS 1730	3018
				A512546-2	5032	DV 173 OA	3030
				5082037	4002	GX 0314502 A	4041
		BALKANCAR	FLP	508203-2	5032	GX 0314503 A	4041
		8284989	5069	508995-2	5029	GX 0314502 A	4041
		2641911	5090	509943	4012	GX 0314503 A	4041
		2642952	5084	A24796	4001	HY 173 D	3018
		2641494	4048	A24796A	4003	HY 1730	3018
		2642953	5086	A500360	5011	HY 1730A	3018
		2642952	5084	A502983	5011	5400346	3018
				A504827	5032		
				A504828	5029		
BMW	FLP	BEOGRAD IPM	FLP	CITROEN	FLP	CUMMINS	FLP
125 5306.2	3054	120.00.00	5017	5428535	4041	3904374	5058
125 7784.2	3055	122.00.00	5018	5428536	4041	3928143	5058
1250306	3054			5428537	4041		
1255306	3054			5437616	4027		
1257306	3054			5437945	4027		
1257784	3055			5447891	3030		
126 1622.2	3055	BOS	FLP	5463333	3030	DACIA	FLP
1265192	3055	8504595	3007	5463334	3030	60 00 557 831	3003
1265193	3054			5467097	4041		
127 6550.2	3057			5491102	4041		
1272406	3056	CARRARO	FLP	5506903	3030	DAF	FLP
1274742	3057	30332	5065	5507913	3018	CBU 1099	5058
1274742.2	3057	30333	5065	75492254	4041		
1276550	3057			75510805	4034		
128 0956.2	3056			75515547	3018		
128 7333.2	3058			75521479	4034		
1280956	3056			75522440	3018		
1287333	3058	CARTER	FLP	91517896	3028	DAVID BROWN	FLP
132 5064.9	3055	60208	5003	95493324	4041	944997	5023
132 5235.9	3055	60249	4017	95493367	4041	B908819	5024
1331 1255.306	3054	60250	5002	95495108	3018	B909944	5025
1331 1257 784	3055	60251	5038				
1331 1261 622	3055						

ECHLIN	FLP	PMC (IMSA)	FLP	FIAT	FLP	FIAT	FLP
FP 0448	3007	AK-110	5028	4226821	3032	4434837	3032
FP 6923	3026	AO-045	4005	4226958	3039	4434839	3038
		AO-047-1	4006	4235510	3032	4434840	3005
		AS-050	5034	4235618	3037	4434841	3039
		CX-020	5016	4235651	3039	4434842	3039
ENESA-SAVA	FLP	CZ-052	4041	4236973	3036	4434843	3008
807787	4009	CZ-055	3016	4242852	3037	4434844	3040
808137	4007	CZ-056	3031	4251447	3039	4445630	3005
808313	4007	CZ-057	3018	4262334	3037	4446334	3038
		IC-005	4009	4262553	3037	4447943	3040
		IC-013	4007	4265958	3037	4447944	3040
		IC-014	4007	4266037	3039	4447945	3040
		LI-002	3015	4286414	3008	5951673	3038
		LI-006	3003	4297956	3039	5957869	3036
		LI-035	3029	4304630	3037	5983935	3037
PMC (IMSA)	FLP	LM-041	3007	4305491	3038	5985119	3036
AB-310	3039	LM-052	4025	4308515	3017	7547642	3017
AB-338	3032	LM-053	3026	4319577	3036	7552705	3036
AB-339	3039	PX-800	4036	4319578	3035	7564244	3038
AB-340	4026			4320185	3037	7564841	3037
AB-370	3037			4320330	3037	7571474	3017
AB-466	3038			4323062	3036	7611465	3019
AE-005	4047			4325618	3037	7611466	3019
AE-006-1	4001			4335817	3036	7611475	3019
AE-059-1	5011			4335818	3035	7617239	3036
AE-059-2	5011			4335865	3037	7689030	3036
AE-060-1	5009			4336342	3005	7984414	5035
AE-060-2	5009						
AH-002	4018	FIAT	FLP	4338935	3008	44618818	3019
AH-011-1	5073	4045975	3040	4340115	3041	9.151.789.680	3028
AK-004	5013	4048510	3040	4342565	3037	9.151.789.683	3028
AK-005	5002	4048511	3040	4342566	3037	7611466-5	3019
AK-007	4003	4055600	3040	4362269	3037		
AK-007-1	4003	4055920	3040	4362741	3039		
AK-008	5001	4059510	3040	4364431	3005		
AK-008-1	5001	4065585	3040	4374853	3005		
AK-044-1	4021	4067110	3040	4376770	3039		
AK-048-1	5040	4073564	3040	4379257	3038		
AK-060	5041	4080389	3040	4380192	3017		
AK-063	5003	4080390	3040	4381597	3017	FISPA	FLP
AK-063-0	5003	4080391	3040	4382283	3039	POC 021	3037
AK-063-1	5003	4081391	3040	4384373	3014	POC 027	3037
AK-064	5039	4087352	3040	4389400	3005	POC 032	3039
AK-064-0	5039	4091765	3040	4391515	3035	POC 042	4026
AK-064-1	5039	4099844	3040	4392833	3017	POC 056	3005
AK-083	5004	4102819	3009	4394917	3017	POC 058	3032
AK-083-1	5004	4119389	3040	4395751	3039	POC 059	3039
AK-084	5068	4119952	3040	4400568	3037	POC 067	3008
AK-085	5033	4126886	3040	4410620	3038	POC 069	3037
AK-091	5013	4133166	3040	4413008	3039	POC 074	3036
AK-096	4008	4139122	3040	4421193	3038	POC 077	3040
AK-099-0	5062	4163954	3009	4426211	3037	POC 081	3017
AK-100	4017	4169058	3032	4434789	3005	POC 082	3038
AK-101-1	5029	4171616	3029	4434829	3017	POC 083	3036
AK-104	5014	4195148	3036	4434830	3036	POC 088	3038
AK-105	5031	4196041	3005	4434832	3037	POC 090	3032
AK-106	4001	4216142	3037	4434833	3036	POC 093	3007
AK-107	5027	4225568	3005	4434834	3005	POC 097	5021
		4226658	3032	4434836	3039	POC 098	5007
						POC 100	3015
						POC 111	3040

FISPA	FLP	FORD	FLP	FORD	IOS	G.M.	FLP
POC 102	4004	0 425 629	4037	81SF9350FA	3026	25061431	4043
POC 104	5012	0 448 299	4037	83BF9350AA	3007	25061437	4042
POC 105	5034	0 712 073	4024	84BF9350C	3026	25061438	4040
POC 106	5035	0 800 432	4025	84BR9350C	3026	25061440	3015
POC 112	3009	1 474 926	3007	84BF9350BA	3007	25061441	3015
POC 121	3019	1 475 240	4025	87SF9350AA	3034	25061444	3016
POC 304	3029	1 475 926	3007	89BF9350AA	3035	25061447	3003
POC 307	4036	1 535 497	4024	89BF9350AB	3035	25061450	4036
POC 308	4029	1 535 498	4025	904F9350AB	4015	25061453	4041
POC 311	3016	1 535 554	3026	91BF9350	4014	25061455	4027
POC 320	3018	1 562 589	3026	914F9350AA	4015	25061458	4043
POC 514	4034	10568	3035	91SF9350AB	3033	25061459	4039
POC 520	3026	109E9350BA	3007	954F9350AB	4015	25061460	4033
POC 526	4023	11 425 629	4037	957E9350V	4003	25061464	4034
POC 528	3031	11 448 047	4025	974T9350AA	4015	25061466	4038
POC 536	4043	11 448 299	4037	D8NN9350AA	5032	25061467	4035
POC 544	3003	11 712 073	3026	D8NN9350AB	5032	25061468	4023
POC 545	3053	22F09G04C	3035	E1ADDN9350	5009	25061473	3031
POC 546	4042	25066609	3033			25061477	4023
POC 605	3019	2735E9350CA	3007			25061481	4029
POC 606	3035	2737E9350A	3007			25061494	4007
POC 607	4043	510E9350	5011			25061495	4008
POC 608	3034	590E9350	4001			25061498	4047
POC 609	3026	6 005 467	4025			25061501	4003
POC 620	3011	6 038 859	4025			25061502	4018
POC 622	3006	6 038 860	4025			25061503	3006
POC 638	3012	6 038 861	4024			25061504	5008
POC 648	4025	6 090 510	3026			25061505	5022
POC 650	4030	6 097 538	3026			25061506	5028
POC 660	4046	6 132 168	3007	F/MISE	FLP	25061507	5031
POC 669	3031	6 146 182	4025	FPM-032	3007	25061511	5028
POC 678	4032	6 146 183	3026	FPM-033	3007	25061512	5013
PON 102	4012	6 160 896	3007	FPM-035	3026	25061514	4017
PON 103	4018	6 171 967	3034	FPM-036	4036	25061515	5025
PON 104	3006	6 174 801	3035	FPM-037	4023	25061516	5024
PON 105	5021	6 201 102	4015			25061518	4005
PON 107	5073	6 551 959	3033			25061519	5009
PON 108	5007	683F9350AA	4006			25061520	5002
PON 109	4004	683F9350AB	4006			25061521	5023
PON 112	4008	691F9350AB	3007			25061522	4001
PON 113	4005	69EN9350AA	4025	GKN	FLP	25061524	5014
PON 115	4007	69EN9350BA	4025	GFP 3261N	3007	25061525	4009
PON 118	4022	7 133 973	4015	GFP 3262N	3007	25061526	5011
PON 119	5053	70HF9350CA	4025	GFP 4271N	4036	25061527	5073
PON 120	4000	715F9350AA	5060	GFP 4283N	3026	25061529	5001
PON 121	4033	72HF9350AA	3026			25061530	5027
PON 122	4031	72TF9350AB	4024			25061532	3007
		72TF9350BA	4024			25061535	5067
		72TF9350BB	4024			25061539	5029
		74TF9350AA	4025	GOSS	FLP	25061542	5032
		755F9350AA	4012	G 448	3007	25061543	5029
		75HF9350AA	3026	G 6923	3026	25061552	5030
		75TF9350CA	4024	G 6932	4036	25061557	5003
		76HF9350AA	3026	G 695	3007	25061566	5028
		76HF9350AB	3026			25061567	5003
		76TF9350AA	4025			25061568	5023
		76TF9350CA	4024	G.M.	FLP	25061570	5029
		81SF9350DB	3026	25061314	3026	25061571	5063
				25061427	4029	25061574	5062
				25061429	3029	25061578	4006

G.M.	FLP	G.M.	FLP	GP	FLP	GP	FLP
25061581	4012	25066405	5028	PAD 1201	5009	PB 60	3041
25061584	4002	25066406	4012	PAD 1204	5032	PB 61	Y
25061585	5032	25066407	5013	PAD 1206	5032	PB 63	Y
25061588	4022	25066408	5052	PAD 1208	4006	PB 65	3038
25061593	5038	25066409	4008	PAD 1209	4002	PB 65	3038
25061598	4013	25066410	3015	PAD 1216	5029	PB 70	3009
25061608	5004	25066412	4038	PAD 1223	5047	PB 8	3036
25061610	5029	25066418	5062	PAD 1229	5010	PB 8	3036
25061616	5066	25066419	5066	PAD 1230	5038	PB 80	Y
25061617	3007	25066421	4003	PAD 1241	5004	PB 82	3032
25062638	4015	25066426	5067	PAD 1246	5003	PB 87	3037
25066016	5024	25066427	3030	PAD 1247	5063	PB 89	3019
25066019	5002	25066442	3036	PAD 1248	5062	PB 89	3019
25066025	5073	25066443	3037	PAD 1249	5032	PB 89	3019
25066034	5055	25066446	3005	PAD 1266	5052	PB 9	3036
25066063	5031	25066447	3039	PAD 1267	5063	PB 9	3036
25066213	4018	25066452	3038	PAD 1274	5018	PBJ 690	3025
25066223	5056	3489001	4029	PAD 1300	5062	PBJ 691	3022
25066261	3017	3489006	4043	PAD 1302	5052	PBS 105	3046
25066265	5015	52257318	4023	PAD 1313	5065	PBS 105	3050
25066275	4023	5506941	4039	PAD 1316	5045	PBS 107	3046
25066358	3018	5506961	4023	PAD 1317	5066	PBS 108	3046
25066361	3003	5506975	4023	PAD 1321	5019	PBS 108	3046
25066362	3016	91145758	4005	PAD 1330	5026	PBS 109	3046
25066363	3029	94642703	4035	PAD 803	5021	PBS 121	3050
25066364	4039	94658977	4023	PAD 805	5007	PBS 126	3018
25066366	4040			PAD 806	4019	PBS 127	4025
25066367	4042			PAD 807	4004	PBS 128	4041
25066368	4043			PAD 812	5012	PBS 129	4027
25066370	4034			PAD 816	5014	PBS 131	3030
25066371	4027			PAD 822	5034	PBS 133	4034
25066372	4043			PAD 850	5001	PBS 138	3007
25066373	5022			PAD 860	4012	PBS 139	3007
25066374	5003			PAD 863	5003	PBS 140	3007
25066375	5008			PAF 1	5002	PBS 141	3003
25066376	4001			PAF 21	4018	PBS 146	4037
25066377	4001			PAF 22	3006	PBS 148	3026
25066378	5001	GP	FLP	PAF 30	5017	PBS 149	4024
25066379	5004	PAD 1000	5028	PAF 8	5013	PBS 150	4024
25066380	5003	PAD 1004	4047	PAF 9	5024	PBS 151	4025
25066381	4006	PAD 1010	4003	PB 13	3005	PBS 153	4025
25066382	5032	PAD 1012	4008	PB 13	3032	PBS 162	4036
25066383	5011	PAD 1014	4017	PB 14	3008	PBS 163	4031
25066384	4013	PAD 1018	4009	PB 17	3039	PBS 164	4033
25066386	4002	PAD 1023	4005	PB 21	3040	PBS 165	4033
25066387	5029	PAD 1031	4007	PB 21	3040	PBS 166	3042
25066388	5032	PAD 1039	5023	PB 22	Y	PBS 168	3031
25066389	5029	PAD 1052	5025	PB 27	3040	PBS 169	3016
25066390	5009	PAD 1058	5031	PB 4	3017	PBS 170	4039
25066391	5063	PAD 1059	4001	PB 49	3010	PBS 175	3015
25066392	4005	PAD 1065	4012	PB 5	3037	PBS 181	3003
25066393	4007	PAD 1074	5008	PB 50	3009	PBS 184	4042
25066394	4009	PAD 1080	5022	PB 50/A	3014	PBS 185	4039
25066397	5038	PAD 1081	5030	PB 51	3017	PBS 186	4043
25066399	5023	PAD 1082	5027	PB 52	3039	PBS 188	4038
25066400	4022	PAD 1102	5073	PB 58	3017	PBS 189	4036
25066401	5002	PAD 1115	4001	PB 59	Y	PBS 192	4045
25066402	4017	PAD 1200	5011	PB 6	3037	PBS 197	4040
25066403	5020						
25066404	5014						

GP	FLP	IVECO	FLP	KHD (DEUTZ)	FLP	LEYLAND-ROVER	FLP
PBS 206	4035	4279496	5021	126 0044	5047	563146	4018
PBS 207	4029	4609596	5007	126 0140	5047	62H557	4009
PBS 208	4023	4648022	5007	210 0087	4000	781113	4008
PBS 209	4023	4660068	4019	213 4511	4000	781114	5028
PBS 214	3029	4660069	5007	223 9550	4000	78997	5028
PBS 226	3048	4667509	5006	4150197	4000	7971330	5005
PBS 233	5070	4667510	4019	415 7603	4000	831149	5011
PBS 234	3012	4673618	4004	416 7698	4000	831149A	5011
PBS 239	3049	4709282	5007	423 1021	4000	AJR 2609	4008
PBS 241	5067	4709283	4019	423 0566	4000		
PBS 243	3043	4709284	4010	KZ 0150-17	4000		
PBS 244	4043	4724652	5021	KZ 8747-10	5047		
PBS 245	3012	4740717	5007	UC 0150-17	4000		
PBS 246	3043	4740718	4019				
PBS 247	3050	4740719	4010				
PBS 247	3051	4740996	5021				
PBS 256	4045	4749880	5021				
						LISTER PETTER	LADA
PBS 260	4032	4755893	5021			201-45342	5075
PBS 289	4029	4756678	5007			201-45345	5075
PBS 297	4046	4757882	4019	LADA	FLP	201-46293	5075
PBS 299	3035	4757883	5007	2101.1106010	3014	201-46298	5075
PBS 305	3026	4757884	4010	2101.1106010	3009	207-45345	5075
PBS 356	4030	4800420	5043	2108.1106010	3010	329-24810	5022
PBS 366	3049	4802838	5043	2108.1106010	3011	329-62200	5022
PBS 383	4023	4802839	4004	2108.910610	3010	351-12150	5022
PBS 514	3001	500316048	4011	2108.910610	3011	351-12151	5030
PBS 600	5046	98419724	4020			352-83780	5030
PBS 613	5023	99437046	5078			374160	5076
PBS 613	5023	99485050	5081			374170	5076
PBS 704	3034			LANCIA	FLP	394-11130	5009
PBS 705	4023			2195044	4026	394-11131	5063
PBS 711	3033			2226886	4026	572-71982	5030
PBS 885	4028			2266327	4026	660-13740	5029
PBS 886	5011			82332211	4026	757-14174	5050
PBS 888	3028					757-14175	5050
PBS 889	4046						
PBS 905	3046			LAND ROVER	FLP		
				ERR 5057	5057		
		JOHN DEERE	FLP	01418264	5057		
		AR53567	5037	RTC 6180	5056		
		AR77914	5016	ETC 7869	5056		
		AR92777	5016	549761-F2	5072	LOMBARDINI	FLP
		DD13483	5016			115.6585.076.8	5071
		DD14195	5016			177.6585.093	5082
		DE16748	5016			177.6585.096	5082
		FP1700	5016			276.6585.030	5034
		RE37482	5016			276.6585.11	5034
		RE38009	5049			276.6585.30	5034
		RE55390	5051	LEYLAND-ROVER	FLP	283.6585.031	5012
		RE27667	5059	12A1259	5011	283.6585.31	5012
		RE42211	5059	13H3374	4007	500.6585.032	5035
				13H3375	4007	625.6585.079	5074
				13H3376	5010	6416.6585.07	5034
HISPANO MOT.	FLP						
6585.11	5034			212659	5067	6416.6585.27	5035
				501735	3006	672.6585.030	5034
INTERNATIONAL	FLP			536146	5073	904.6585.022	5048
708294/R93	5008			549761	3006	904.6585.22	5048
				550324	4018		

LUCAS		MASSEY FERGUSON		MOTOR IBERICA		PERKINS	
FLP				FLP		FLP	
FP 109	4001	2641722/3	5052	43/002	5062	2641308	4001
FP 110	4003	2641725	5003	502E9350	4001	2641310	5001
FP 114	5008	2641726	5066	74800012-0	5062	2641311	5001
FP 115	5022	2641729	5038	74800019-0	5062	2641326	4017
FP 133	4008	2641808	5004	74800022-0	5068	2641327	4017
FP 137	5028	2641A052	5045	994091	4021	2641328	5014
FP 138	5013	2641A053	5039	994092	5002	2641333	5027
FP 159	4005	2641A054	5052	994093	4003	2641335	4017
FP 161	4021	2641A057	5079	994094	5001	2641337	5080
FP 165	5002	2641A063	5001	994096	5040	2641338	4002
FP 170	5016	2641A064	4008	994103	5013	2641344	5046
FP 175	5014	2641A065	5013	994105	5041	2641345	5013
FP 176	4009	2641A067	5079	994141	5003	2641371	5028
FP 184	5001	2641A068	5054	994142	5003	2641372	4008
FP 220	5029	2641A070	5038	994183	5004	2641374	4008
FP 240	5030	2641A071	5003	994184	5068	2641375	4008
FP 251	5003	2641A072	5003	994185	5033	2641376	5055
FP 264	5003	2641A073	5039	994275	5062	2641377	4008
FP 276	4006	2641A074	5003	994294	5068	2641406	5002
FP 279	4012	2641A075	5054	994295	5004	2641408	5002
FP 310	5038	ULPK0001	5003	DKN9350BA	4047	2641465	4021
FP 312	5004	ULPK0002	5038	SM9350	5009	2641469	5011
FP 314	5032	ULPK0003	5039	ST4A9350	5011	2641473	5029
FP 330	5029	ULPK0004	5004			2641476	5029
FP 404	4047	ULPK0005	5079			2641477	4002
FP 66	5016	ULPK0006	5001			2641478	4002
		ULPK0007	4008			2641479	5029
		ULPK0009	5013	OPEL	FLP	2641507	5029
		ULPK0013	5029	816019	4035	2641704	5004
		ULPK0015	5054	816023	4035	2641706	5062
		ULPK0018	5002	816025	4035	2641709	5003
		ULPK0019	4017	816030	4036	2641711	5039
		ULPK0022	5003	816031	4036	2641712	5004
		ULPK0031	4003	816034	4035	2641713	5003
MASSEY FERGUSON		ULPK0034	5003	816035	4036	2641719	5038
32589	5013	3637250	5039	816036	4036	2641720	5038
35218	5031	3637286	5014	816038	4005	2641722	5052
35273	5002	3637287	4002	816042	4031	2641723	5062
1446951	5038	3637288	5002	816043	4013	2641725	5003
1447381	4002	3637290	5003	816045	4033	2641726	5066
1447688	5003	3637300	5039	816047	4036	2641728	5003
1884857	5067	3637292	5004	816049	4035	2641729	5038
2641290	5079	3637307	5001	816050	4035	2641808	5004
2641309	5001	3637309	4008	816055	4029	2641809	5062
2641311	5001	3637338	5013	816056	4029	2641A052	5045
2641328	5014	3641402	5079	816059	4023	2641A053	5039
2641333	5027	64800110	5038	816062	4029	2641A054	5052
2641336	5014			816063	4029	2641A055	5003
2641338	4002			816064	4029	2641A057	5079
2641345	5013			816068	4023	2641A063	5001
2641406	5002			816069	4023	2641A064	4008
2641408	5002			816070	4023	2641A065	5013
2641704	5004	MERCEDES BENZ	FLP	816071	4033	2641A066	5003
2641709	5079	002 091 40 01	4032	816074	4023	2641A067	5079
2641711	5003	002 091 56 01	4032	816075	4023	2641A068	5054
2641712	5004	002 091 66 01	4032	8930335	4036	2641A070	5038
2641719	5038	002 091 68 01	4032	9200154	4003	2641A071	5003
2641720	5038	002 091 79 01	4032			2641A072	5003
2641722	5052					2641A073	5039

PERKINS	FLP	PIERBURG	FLP	PIERBURG	FLP	RENAULT	FLP
2641A074	5003	7.15127.00	4037	7.20977.51	4033	50.00.044.183	5020
2641A075	5054	7.15252.01	4000	7.21739.50	4042	50.00.048.052	5053
2641A077	4003	7.15252.50	4000	7.21740.50	3003	50.00.049.965	5053
2641A082	5079	7.15252.51	4000	7.21741.50	4043	50.00.134.690	4022
35275	4003	7.15252.52	4000	7.21742.50	3003	50.00.592.528	5053
72095	5003	7.15501.50	4036	7.21743.50	4043	50.00.592.767	5053
ULPK0001	5003	7.15515.50	4035	7.21746.50	3029	50.00.592.769	4022
ULPK0002	5038	7.15537.50	4037	7.21747.50	3016	70.02.103.370	3015
ULPK0004	5004	7.15540.50	4025	7.21750.50	4039	74.00.269.627	4039
ULPK0005	5079	7.15547.50	5047	7.21751.50	3028	77.00.633.554	3015
ULPK0006	5001	7.15559.50	3026	7.21752.50	3018	77.00.653.611	3003
ULPK0007	4008	7.15591.50	4025	7.21753.50	3037	77.00.654.475	3015
ULPK0009	5013	7.15592.50	4025	7.21756.50	4043	77.00.728.131	3012
ULPK0013	5029	7.15603.50	4036	7.21757.50	4034	77.00.734.727	4046
ULPK0015	5054	7.15605.50	3026	7.21763.50	3031	77.00.737.700	4043
ULPK0018	5002	7.15612.50	4035	7.21767.50	4041	77.00.749.253	4045
ULPK0019	4017	7.15626.50	4025	7.21771.50	3009	77.00.276.305	3012
ULPK0022	5003	7.15656.50	4036	7.21772.50	3011	77.00.349.261	4043
ULPK0031	4003	7.20009.50	4024	7.21777.50	4046	77.00.349.266	3029
ULPK0034	5003	7.20066.00	3053	7.21780.50	3012	77.00.500.194	3029
		7.20078.50	4025			77.00.509.109	3003
		7.20200.00	4025			77.00.514.429	3015
		7.20200.50	4025			77.00.518.857	3015
PETTERS	FLP	7.20201.11	3026			77.00.527.322	3015
258862	4003	7.20201.50	3026			77.00.527.323	3015
281756	4009	7.20202.50	4024			77.00.531.547	3003
323939	5022	7.20203.50	4025			77.00.551.669	3003
		7.20428.50	4025			77.00.557.763	4042
		7.20428.51	3026			77.00.614.533	3003
		7.20428.52	4024			77.00.625.707	4043
		7.20428.53	4025			77.00.633.708	3003
		7.20428.56	3026			77.00.635.741	3015
		7.20453.50	3053			77.00.640.440	3015
PEUGEOT	FLP	7.20739.00	4030			77.00.641.069	4043
1450.11	3016	7.20796.63	4032			77.00.641.717	4042
1450.14	3016	7.20799.50	3053			77.00.646.555	4043
1450.16	3016	7.20806.02	4044			77.00.646.959	4043
1450.17	3031	7.20806.50	4030	PLATINUM	FLP	77.00.670.401	4038
1450.22	3016	7.20806.51	4030	PL-1005	2567	77.00.681.700	3003
1450.27	3031	7.20806.52	4044			77.00.690.476	4043
1450.30	3016	7.20828.50	4025			77.00.690.477	4043
1450.31	3031	7.20828.51	3026	RELIANT	FLP	77.00.696.974	3029
1450.32	3031	7.20828.52	4024	10940	5067	77.00.698.996	3015
1450.35	4039	7.20828.59	3026			77.00.720.476	4043
1450.43	4039	7.20933.50	3007			77.00.726.305	3012
1450.44	4039	7.20971.50	4035			77.00.728.131	3012
1450.53	3031	7.20971.51	4029			77.00.734.250	3012
1450.61	3028	7.20971.52	4036	RENAULT	FLP	77.00.735.148	4046
1450.67	3028	7.20971.53	4023	08.54.512.600	3015	77.00.736.664	3012
1450.71	3016	7.20971.54	4023	08.55.438.500	3015	77.00.743.727	4045
1450.75	3031	7.20971.55	4029	08.55.952.800	4042	77.00.851.879	4045
1450.76	3016	7.20971.56	4035	5.548.544	3015	77.00.853.480	4045
7910000321	3016	7.20971.57	4023	50.00.013.251	4022	77.00.860.573	4045
791002069	3016	7.20971.59	4023	50.00.592.768	5020	77.01.000.969	3015
7910245706	4039	7.20971.63	4023	50.00.013.251.5	4027	77.01.018.426	3015
91501190	3016	7.20972.50	4035	40.00.044.092	4022	77.01.348.155	4042
91507305-80	3031	7.20977.50	4033				

RENAULT	FLP	RE-CON	FLP	SAVARA	FLP	SKODA	FLP
77.01.348.210	3015	BC-237	3011	9.06.032.11	5007	47127023	3027
77.01.348.241	3015	BC-239	3039	9.06.035.11	3036		
77.01.348.261	4043	BC-246	3038	9.06.037.11	4026		
77.01.348.612	3003	BC-247	3038	9.06.040.11	3039		
77.01.348.925	4038	BC-295	3026	9.06.044.11	3039		
77.01.349.080	4043	BC-296	3040	9.06.069.11	5061	SLANZI	FLP
77.01.349.261	4043	BC-298	4014	9.06.072.11	3008	4850.47	5064
77.01.349.266	3029	BC-300	3019	9.06.078.11	5035	6585.055	5064
77.02.103.370	3015			9.06.101.11	3005		
79.10.245.706	4039			9.06.108.11	3039		
79.10.245.707	4039			9.06.120.11	3015		
8.554.621	3015			9.06.121.11	3014		
				9.06.136.11	5021		
				9.06.144.11	3005	SOFABEX	FLP
				9.06.145.11	3038	2403	3026
				9.06.147.11	3038	2406	4035
		SAAB	FLP	9.06.161.11	5007	3003	4042
		750197	4030	9.06.162.11	4004	3011	3015
		750566	4030	9.06.168.11	3018	3031	4043
		752273	4044	9.06.176.11	3005	3032	4039
		7522733	4044	9.06.186.11	3040	3039	4043
		7605662	4030	9.06.214.11	3037	3042	4038
		931279	4030	9.06.217.11	3036	3049	4045
		9312794	4030	9.06.232.11	5034	3201	3031
				9.06.233.11	5048	3211	4039
				9.06.270.11	3007	3219	4039
				9.06.285.11	3026	3224	3016
				9.06.287.11	3029	3301	3030
				9.06.290.11	3017	3303	3018
				9.06812.11	3053	3307	3018
RE-CON	FLP	SAME DEUTZ-FAHR GROUP					
BC-106	3016	003.8319.6	5061	9.06.337.11	3019	3312	4041
BC-107	3037	2.4519.120.0	5042	9.06.339.11	4022	3313	4027
BC-109	3029	2.4519.140.0	5042	9.06.340.11	4035	3314	4041
BC-110	4041	2.4519.150.0	5042	9.06.800.11	4041	3411	3053
BC-112	3003	2.4519.160.0	5061	9.06.801.11	4042	3413	4030
BC-116	3007	2.4519.180.0	5042	9.06.803.11	4024	3440	4029
BC-121	3015	2.4519.190.0	5061	9.06.804.11	4037	3441	4023
BC-122	3039	2.4519.190.0.10	5061	9.06.805.11	4039	3442	4023
BC-123	3005	2.4519.200.0	5042	9.06.806.11	4043	3443	4036
BC-125	3018	2.4519.200.0.10	5042	9.06.807.11	4030	3600	3037
BC-128	3012	2.4519.260.0	5019	9.06.808.11	4034	3620	3007
BC-132	3028	2.4519.270.0	5019	9.06.809.11	4043	3626	3007
BC-134	3026					3732	4043
BC-135	3031					3851	5073
BC-136	3017					3852	3006
BC-137	3038					3853	3006
BC-148	4023					3860	5052
BC-149	4036					3861	5003
BC-168	3035					3950	5020
BC-191	4042	SANTANA	FLP			3960	5001
BC-192	4043	549761F2	5072			3969	5016
BC-193	4039	563146	5073			8005	3015
BC-194	4043					8017	3003
BC-195	4024			SEAT	FLP	8034	3003
BC-196	4025			00.039.363.08	3032	8035	3029
BC-201	4030			00.039.577.55	3039		
BC-209	3053			3977754	3005		
BC-236	3009			GE 020.000.02	3039		
				4340115	3041		

SOFABEX	FLP	SOFABEX	FLP	VOLVO	FLP	FLP
8041	4043	PL 3255	3016	1116185	3053	
8047	3029	PL 3300	3030	1306877	3053	
8109	4041	PL 3308	3018	1317435	3053	
8202	3016	PL 3311	3018	1336185	3053	
8203	3016	PL 3401	3053	13361852	3053	
8205	3016	PL 3744	3012	3267347-7	3003	
8221	3031	PL 3951	5053	3277579	3003	
8222	3028	PL 3952	4042	3277597	3003	
8224	3016	PL 3960	5001	3277597-5	3003	
8300	3030	PL 8744	3012	3342128	4046	
8301	3030	PV 3003	4042	3342128-0	4046	
8303	3018	PV 3031	4043	3344221280	4046	
8312	4041	PV 3039	4043	463348	3053	
8313	4027	PV 3041	4034	484072	5003	
8314	4041	PV 3042	4038	4880294	5032	
8411	305	PV 3109	4041	6616798	5002	
8413	4030	PV 3213	4039	6637508	4008	
8415	4044	PV 3312	4041	755145	4017	
8440	4029	PV 3313	4027	7480325	4002	
8442	4023	PV 3625	3026	8360001	4046	
8443	4036	PV 3732	4043			
8446	4035	PV 8738	4046			
8520	3009					
8521	3010					
8600	3037					
8605	3036					
8607	3017					
8610	3005					
9611	3008					
8612	3039					
8613	3038					
8618	3019					
8620	3007					
8621	3035					
8622	3033					
8625	3026			YUGO	FLP	
8626	3026			46618818	3019	
8627	3034			4664133	3036	
8714	5070	TALBOT	FLP	701180	3036	
8728	4045	05042263	4008	701181	3037	
8729	4045	05058066	4021	711228	3019	
8739	4045	132.211	4041	719386	3040	
8744	3012	162.059	4040	735859	3040	
8810	4032	34167	4008			
8969	5049	40.961H	4040			
8973	5051	5042232	5013			
PL 1007	3015	5043611	4008			
PL 3005	3015	75060559	5029			
PL 3006	3015	75064077	5003			
PL 3017	3003	D33858	5011			
PL 3034	3003	D34265	4008			
PL 3047	3029					
PL 3202	3016					
PL 3203	3016	TRACTORUL BRASOV				
PL 3205	3016	115.16.070	5007			
PL 3221	3031					
PL 3222	3028	VM	FLPA			
PL 3252	3016	1.518.0018A	5026			

BOSCH REF.	FLP	BOSCH REF.	FLP	FLAG REF.	FLP	BOSCH REF.	FLP
0 440 003 091	10001	0 440 004 030	10013	800044	10311	0 440 003 203	10001
0 440 003 093	10002	0 440 004 034	10013	800046	10312	0 440 003 204	10001
0 440 003 148	10002	0 440 004 038	10014	800058	10309	0 440 003 226	10001
0 440 003 176	10002	0 440 004 041	10021	800081	10310	0 440 003 230	10001
0 440 003 177	10001	0 440 004 042	10013	810053	10308	0 440 003 236	10001
0 440 003 178	10011	0 440 004 043	10013	820635	10303	0 440 003 093	10002
0 440 003 180	10011	0 440 004 045	10014	821176	10304	0 440 003 148	10002
0 440 003 182	10002	0 440 004 048	10021	830065	10307	0 440 003 176	10002
0 440 003 183	10012	0 440 004 051	10014	830227	10305	0 440 003 182	10002
0 440 003 184	10002	0 440 004 056	10019	830351	10311	0 440 003 184	10002
0 440 003 185	10001	0 440 004 057	10019	900003	10007	0 440 003 186	10002
0 440 003 186	10002	0 440 004 064	10013	900004	10008	0 440 003 195	10002
0 440 003 188	10001	0 440 004 068	10013	900007	10006	0 440 003 197	10002
0 440 003 189	10012	0 440 008 003	10007	900009	10010	0 440 003 197	10002
0 440 003 190	10001	0 440 008 004	10008	900014	10007	0 440 003 198	10002
0 440 003 193	10001	0 440 008 006	10010	900015	10015	0 440 003 198	10002
0 440 003 195	10001	0 440 008 007	10006	900020	10005	0 440 003 199	10002
0 440 003 195	10001	0 440 008 009	10010	900029	10006	0 440 003 199	10002
0 440 003 195	10002	0 440 008 012	10017	900052	10010	0 440 003 202	10002
0 440 003 197	10002	0 440 008 013	10016	900176	10002	0 440 003 205	10002
0 440 003 197	10002	0 440 008 014	10007	900177	10001	0 440 003 206	10002
0 440 003 198	10002	0 440 008 015	10015	900178	10011	0 440 003 207	10002
0 440 003 198	10002	0 440 008 016	10017	900180	10011	0 440 003 210	10002
0 440 003 199	10002	0 440 008 017	10016	900183	10012	0 440 003 211	10002
0 440 003 199	10002	0 440 008 019	10010	900184	10002	0 440 003 223	10002
0 440 003 200	10011	0 440 008 020	10006	900185	10001	0 440 003 232	10002
0 440 003 201	10011	0 440 008 027	10005	900186	10002	0 440 003 233	10002
0 440 003 202	10002	0 440 008 029	10006	900190	10001	0 440 003 237	10002
0 440 003 203	10001	0 440 008 032	10017	900223	10002	0 440 003 238	10003
0 440 003 204	10001	0 440 008 033	10015	900229	10012	0 440 003 239	10003
0 440 003 205	10002	0 440 008 035	10007	900238	10003	0 440 003 240	10004
0 440 003 206	10002	0 440 008 037	10006	900239	10003	0 440 003 247	10004
0 440 003 207	10002	0 440 008 040	10007	900239	10003	0 440 008 027	10005
0 440 003 210	10002	0 440 008 043	10005	900240	10004	0 440 008 043	10005
0 440 003 211	10002	0 440 008 045	10006	900240	10009	0 440 008 994	10005
0 440 003 223	10002	0 440 008 046	10007	900245	10009	0 440 008 997	10005
0 440 003 224	10012	0 440 008 047	10015	900247	10004	0 440 008 007	10006
0 440 003 226	10001	0 440 008 052	10010	900247	10009	0 440 008 020	10006
0 440 003 229	10012	0 440 008 993	10010	900817	10016	0 440 008 029	10006
0 440 003 229	10012	0 440 008 994	10005	900820	10006	0 440 008 037	10006
0 440 003 230	10001	0 440 008 997	10005	900840	10007	0 440 008 045	10006
0 440 003 232	10002	0 440 008 998	10006	900843	10005	0 440 008 998	10006
0 440 003 233	10002	0 440 008 999	10007	907993	10010	0 440 008 003	10007
0 440 003 234	10011	0 440 011 002	10302	907994	10005	0 440 008 014	10007
0 440 003 236	10001	0 440 011 006	10301	907997	10005	0 440 008 035	10007
0 440 003 237	10002	0 440 011 007	10300	907998	10006	0 440 008 040	10007
0 440 003 238	10003	0 440 011 008	10301	907999	10007	0 440 008 046	10007
0 440 003 239	10003	0 440 011 009	10300			0 440 008 999	10007
0 440 003 239	10009	0 440 011 010	10300			0 440 008 004	10008
0 440 003 240	10004	0 440 017 010	10020			0 440 003 239	10009
0 440 003 245	10009	1 450 410 011	10305			0 440 003 245	10009
0 440 003 247	10004	1 457 434 000	10309			0 440 008 006	10010
0 440 004 017	10013	2 440 109 005	10308			0 440 008 009	10010
0 440 004 018	10013	2 443 203 001	10311	BOSCH REF.	FLP	0 440 008 019	10010
0 440 004 020	10013	2 447 010 003	10306	0 440 003 091	10001	0 440 008 052	10010
0 440 004 021	10021	2 447 010 011	10312	0 440 003 177	10001	0 440 008 993	10010
0 440 004 023	10019	2 447 010 027	10310	0 440 003 185	10001		
0 440 004 025	10019	2 447 010 033	10304	0 440 003 188	10001		
0 440 004 026	10013	2 447 222 000	10303	0 440 003 190	10001		
0 440 004 027	10013	2 447 222 099	10303	0 440 003 193	10001		
0 440 004 028	10013	2 459 999 000	10310	0 440 003 195	10001		
0 440 004 029	10013	2 459 999 002	10307	0 440 003 195	10001		

FLP	BOSCH REF.	FLP	BOSCH REF.	FLP	BOSCH REF.
10001	0 440 003 091	10010	0 440 008 009	10308	2 440 109 005
10001	0 440 003 177	10010	0 440 008 019	10309	1 457 434 000
10001	0 440 003 185	10010	0 440 008 052	10310	2 447 010 027
10001	0 440 003 188	10010	0 440 008 993	10310	2 459 999 000
10001	0 440 003 190	10011	0 440 003 178	10311	2 443 203 001
10001	0 440 003 193	10011	0 440 003 180	10312	2 447 010 011
10001	0 440 003 195	10011	0 440 003 200		
10001	0 440 003 203	10011	0 440 003 201		
10001	0 440 003 204	10011	0 440 003 234		
10001	0 440 003 226	10012	0 440 003 183		
10001	0 440 003 230	10012	0 440 003 189		
10001	0 440 003 236	10012	0 440 003 224		
10002	0 440 003 093	10012	0 440 003 229		
10002	0 440 003 148	10012	0 440 003 229		
10002	0 440 003 176	10013	0 440 004 017		
10002	0 440 003 182	10013	0 440 004 018		
10002	0 440 003 184	10013	0 440 004 020		
10002	0 440 003 186	10013	0 440 004 026		
10002	0 440 003 195	10013	0 440 004 027		
10002	0 440 003 197	10013	0 440 004 028		
10002	0 440 003 197	10013	0 440 004 029		
10002	0 440 003 198	10013	0 440 004 030		
10002	0 440 003 198	10013	0 440 004 034		
10002	0 440 003 199	10013	0 440 004 042		
10002	0 440 003 199	10013	0 440 004 043		
10002	0 440 003 202	10013	0 440 004 064		
10002	0 440 003 205	10013	0 440 004 068		
10002	0 440 003 206	10014	0 440 004 038		
10002	0 440 003 207	10014	0 440 004 045		
10002	0 440 003 210	10014	0 440 004 051		
10002	0 440 003 211	10015	0 440 008 015		
10002	0 440 003 223	10015	0 440 008 033		
10002	0 440 003 232	10015	0 440 008 047		
10002	0 440 003 233	10016	0 440 008 013		
10002	0 440 003 237	10016	0 440 008 017		
10003	0 440 003 238	10017	0 440 008 012		
10003	0 440 003 239	10017	0 440 008 016		
10004	0 440 003 240	10017	0 440 008 032		
10004	0 440 003 247	10019	0 440 004 023		
10005	0 440 008 027	10019	0 440 004 025		
10005	0 440 008 043	10019	0 440 004 056		
10005	0 440 008 994	10019	0 440 004 057		
10005	0 440 008 997	10020	0 440 017 010		
10006	0 440 008 007	10020	0 440 017 010		
10006	0 440 008 020	10021	0 440 004 021		
10006	0 440 008 029	10021	0 440 004 041		
10006	0 440 008 037	10021	0 440 004 048		
10006	0 440 008 045	10300	0 440 011 007		
10006	0 440 008 998	10300	0 440 011 009		
10007	0 440 008 003	10300	0 440 011 010		
10007	0 440 008 014	10301	0 440 011 006		
10007	0 440 008 035	10301	0 440 011 008		
10007	0 440 008 040	10302	0 440 011 002		
10007	0 440 008 046	10303	2 447 222 000		
10007	0 440 008 999	10303	2 447 222 099		
10008	0 440 008 004	10304	2 447 010 033		
10009	0 440 003 239	10305	1 450 410 011		
10009	0 440 003 245	10306	2 447 010 003		
10010	0 440 008 006	10307	2 459 999 002		

BERLIET		HENSCHEL		MAN		MTU	
FLP		FLP		FLP		FLP	
3020501	10013	061 4204001	10002	51121017006	10002	535B02701/1	10002
3020504	10001	523 4240000	10007	51121017007	10002		
25838009	10002			51121017009	10013		
25838028	10006	IHC	FLP	51121017024	10002	MWM	FLP
		711086R92	10013	51121017034	10012	3 05209900020	10006
		712082R92	10001	51121017035	10012	6 05202000010	10001
CLAAS	FLP	712082R93	10001	51121019020	10001	6 05202000021	10013
1322440	10002			51121017038	10017	6 05202030030	10001
		KASSBOHRER	FLP	51121017040	10010	6 05202030031	10002
DAF	FLP	8311000855	10002	81121016010	10018	3 05209900039	10006
165802	10001	8312000572	10005	81121016012	10006		
229367	10006	8311000826	10304	90801112114	10007		
245339	10002	8311999073	10304	90801112133	10002		
248252	10001	83119997100	10300	90801112141	10002		
511756	10006	83119997910	10309			RENAULT	FLP
608264	10001	83119997170	10309			00 03020501	10013
248559	10303					00 03020504	10001
1311808	10304					00 03020510	10017
						00 24571087	10002
				MASSEY FERG.	FLP	00 25835028	10006
				2868300M1	10013	00 25838009	10002
						00 25838028	10006
						01 22910100	10013
FAUN	FLP	KHD	FLP	MERCEDES	FLP	01 22910200	10001
0 796720	10001	0 768702	10006	000 0900050	10304	08 54132200	10001
0 796124	10001	1173764	10006			08 55788100	10014
		1260836	10011			08 70363800	10013
		1261133	10018			50 00242581	10012
		1286852	10002			50 00803919	10010
FIAT	FLP	1287472	10002			50 00588510	10007
718361	10001	1287474	10002	000 0910990	10300	50 01000043	10012
746189	10303	1287476	10001	000 0911101	10303	77 01011757	10001
752785	10002	1287477	10011	000 0918301	10013		
755758	10001	1287478	10011	000 0918401	10013		
760374	10001	1287479	10001	000 0927901	10309		
764954	10013	1287480	10001	000 4770002	10309		
766188	10011	1287482	10002	001 0910401	10013		
768702	10006	1287484	10001	001 0910990	10300		
768711	10303	1287489	10013	001 0911101	10002		
771333	10001	1287493	10019	001 0911290	10300	SAVIEM	FLP
772156	10303	1287495	10007	001 0911401	10002	24 571084	10013
1287478	10011	1310031	10001	001 0911501	10001	24 571087	10002
4780435	10300	2149077	10020	001 0912201	10019	87 0363800	10013
4797317	10300	2408350	10300	001 0912501	10007	08 54880300	10014
9018634	10013	2408351	10300	001 0912701	10001	50 00242265	10001
9922409	10303	3361757	10300	001 0913101	10013	50 00242581	10012
9928977	10013	3366125	10001	001 0914501	10303	50 01000043	10012
9932279	10007	3366126	10011	001 0916101	10007	77 01011757	10001
9981532	10010	3350549	10013	001 0918301	10002	51 210170241	10002
9981541	10003	4140419	10010	001 0916401	10013		
79026637	10006	0 1521721310	10001	001 0916701	10006		
		0 1521721320	10011	001 0917301	10001		
		0 171172610	10007	001 0917801	10006		
		0 1441724410	10013	001 0918401	10005		
				002 0914901	10005		
				002 0916001	10001	SAURER	FLP
HONOMAG	FLP	MACK	FLP			463 0843	10007
142976000	10002	314GC227	10015			465 0843100	10010
151278080	10001	9350440008004	10008				
153178004	10013	9350440008007	10006				

